

Signal Pin assignments Table

Pin	Signal Assignment	Pin	Signal Assignment	Pin	Signal Assignment
1	T.M.D.S.Data2-	9	T.M.D.S.Data1-	17	T.M.D.S.Data0-
2	T.M.D.S.Data2+	10	T.M.D.S.Data1+	18	T.M.D.S.Data0+
3	T.M.D.S.Data2/4 Shield	11	T.M.D.S.Data1/3 Shield	19	T.M.D.S.Data0/5 Shield
4	T.M.D.S.Data4-	12	T.M.D.S.Data3-	20	T.M.D.S.Data5-
5	T.M.D.S.Data4+	13	T.M.D.S.Data3+	21	T.M.D.S.Data5+
6	DDC Clock	14	+5V Power	22	T.M.D.S.Clock Shield
7	DDC Data	15	Ground (return for +5V, HSync, and Vsync)	23	T.M.D.S.Clock+
8	Analog Vertical Sync	16	Hot Plug Detect	24	T.M.D.S.Clock-
C1	Analog Red	C2	Analog Green	C3	Analog Blue
C4	Analog Horizontal Sync	C5	Analog Green (analog R,G,&B return)		

NOTES:

1. Material:

Body: Nylon66+30%G.F, UL 94V-0 Rated.
 Color: White.
 Latch: Nylon66+30%G.F, UL 94V-0 Rated.
 Color: White.
 Contact: Brass.
 Plating: Gold Plating over Nickel on Contact Area.
 Tin Plating on Solder Tail.
 Harpoon: Brass.
 Plating: Tin Plating over Nickel.
 Shell: SPCC.
 Plating: Full Nickel Plating.

2. Mechanical:

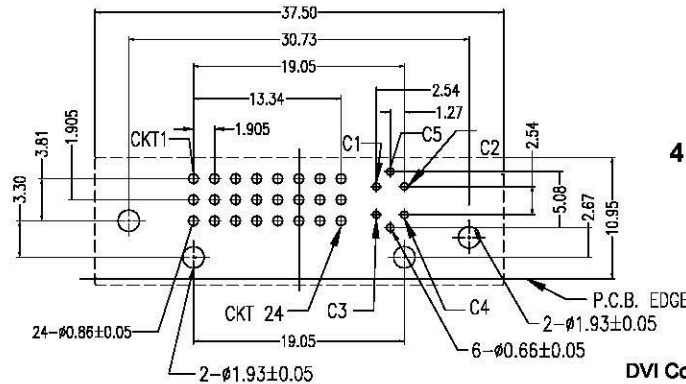
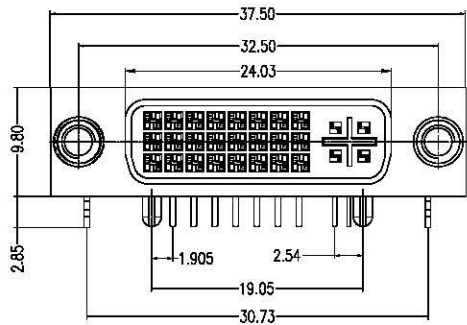
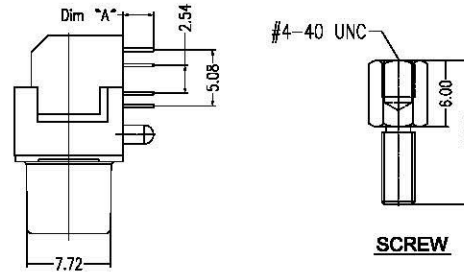
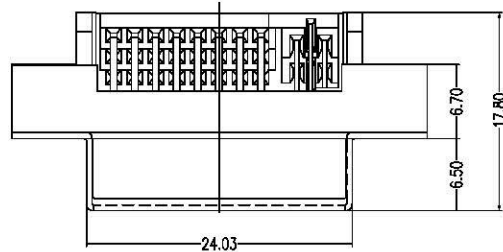
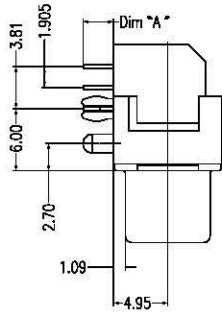
Mating Force: 4.5Kg Max.
 Unmating Force: 1.0Kg Min and 4.0Kg Max.
 Durability: 100 Cycles

3. Electrical Specification:

Current Rating: 1.5 Ampere per Contact.
 Shell Resistance: 50mΩ Max Initial, 50mΩ Max.
 Contact Resistance: 20mΩ Max.
 Insulation Resistance: 1000MΩ Min.
 Dielectric Withstanding Voltage: 500V DC RMS ± 50V, 60 HZ.

4. Environmental:

Operating Temperature: -20°C to +85°C



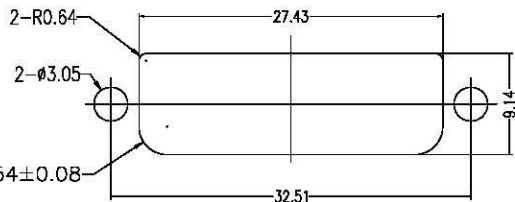
P.C.B. Layout

Part Number:

CDVI- F29RDG1-P1

DVI Connector Series
 F: Female Type
 29: 24+5Pins
 R: Right Angle

1: Standard D=2.75mm
 P: Package with Screw
 1: White Color
 G: Gold Flash
 D: DIP Type



Panel Cutout

Unit:mm	
Part Number	Dim "A"
CDVI-F29RDG1-P1	2.75mm
CDVI-F29RDG1-P3	3.30mm

A	06/29/09	RELEASED FOR PRODUCTION	
REV	DATE	DESCRIPTION	
UNLESS OTHERWISE SPECIFIED DIMENSIONS ARE IN MM TOLERANCES ARE:		CAD GENERATED DRAWING, DO NOT MANUALLY UPDATE	
DECIMALS ANGLES		APPROVALS DATE	
X ± .38	± 3°	DRAWN Chris	06/29/09
.XX ± .25		CHECKED Chdy	08/28/09
.XXX ± .20		APPV Jason	06/29/09
DO NOT SCALE DRAWING		SHEET 1 OF 1	SCALE NONE
		DWG. NO. CDVI-F29-IP1	REV. A



www.allconnectors.de info@allconnectors.de
 Tel.: 0049 711 7002503 Fax: 0049 711 7009504
 70791 Filsterstoc - Germany kettemerstr. 25

DESCRIPTION
**DVI-I Connector, 24+5Pins, Female Type
 Right Angle, DIP=2.75mm, Package with Screw**