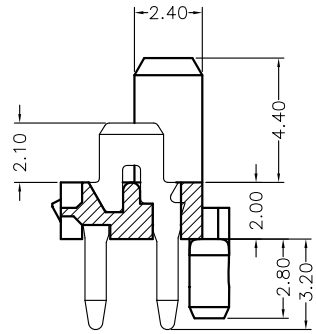
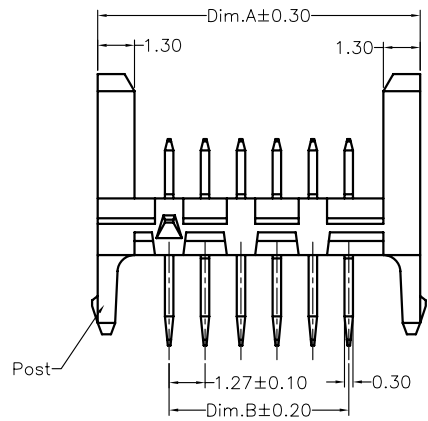
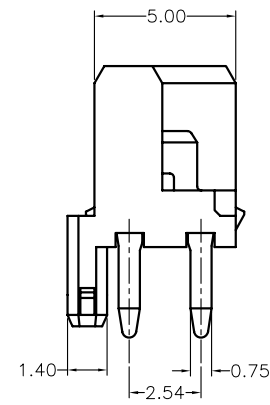
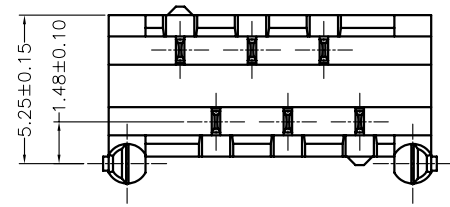


Specifications:
 Current rating:1.0A AC,DC
 Voltage rating:30V AC,DC
 Contact resistance:20m ohm Max
 Insulation resistance:1000M ohm Min
 Withstanding voltage:500V AC for one minute
 Operating Temperature:-40°C ~ +105°C
 Materials:
 Insulator:High Temp Plastic (Nylon46 UL94V-0)
 Insulator Color:Black
 Contact:Phosphor Bronze
 Contact Plated:Tin Plated

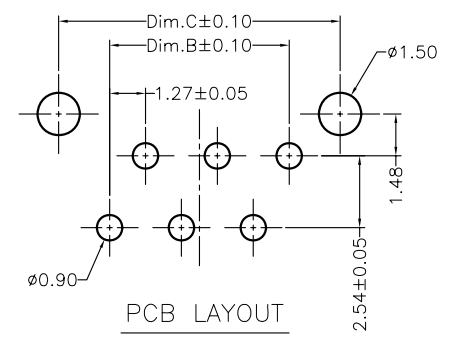


PF-PDP-xx-LF
 LEADFREE
 RoHS Compliant



Dimension:

Pos.	Dimension:			Pos.	Dimension:		
	A	B	C		A	B	C
04	8.86	3.81	7.41	16	24.10	19.05	22.65
06	11.40	6.35	9.95	18	26.64	21.59	25.19
08	13.94	8.89	12.49	20	29.18	24.13	27.73
10	16.48	11.43	15.03	22	31.72	26.67	30.27
12	19.02	13.97	17.57	24	34.26	29.21	32.81
14	21.56	16.51	20.11	26	36.80	31.75	35.35



PART NO. PF-PDP-xx		CHECKED BY CY		TOLERANCES ARE .X±0.2 .XX±0.1 .XXX± AWG	DESCRIP TION: 1.27mm IDC Connector Straight Type
DWG NO. PF-PDP-xx		DRAWING BY			
FILE NO.		PROJECTION		AREA	REVISIONS
UNIT / mm	SCALE 1:1			HK	DATE