

REV.	ECN.NO.	DATE
A	RELEASED	11/18/08

Pin No.	Signal Type	Pin No.	Signal Type
1	In	11	GND
2	GND	12	In
3	In	13	CONFIG(see note 1)
4	In	14	CONFIG(see note 1)
5	GND	15	I/O
6	In	16	GND
7	In	17	I/O
8	GND	18	Out
9	In	19	RTN
10	In	20	Power Out(see note 2)

NOTES:

***Material**

Body: LCP, UL 94V-0 Rated; Color: Black.
 Shield: Brass.
 Shield Plating: Nickle Plating.
 EMI Clip: Stainless Steel.
 Contact: Brass.
 Contact Plating: Tin Plating On Solder Tail.
 Gold Plating Over Nickel on Contact Area;

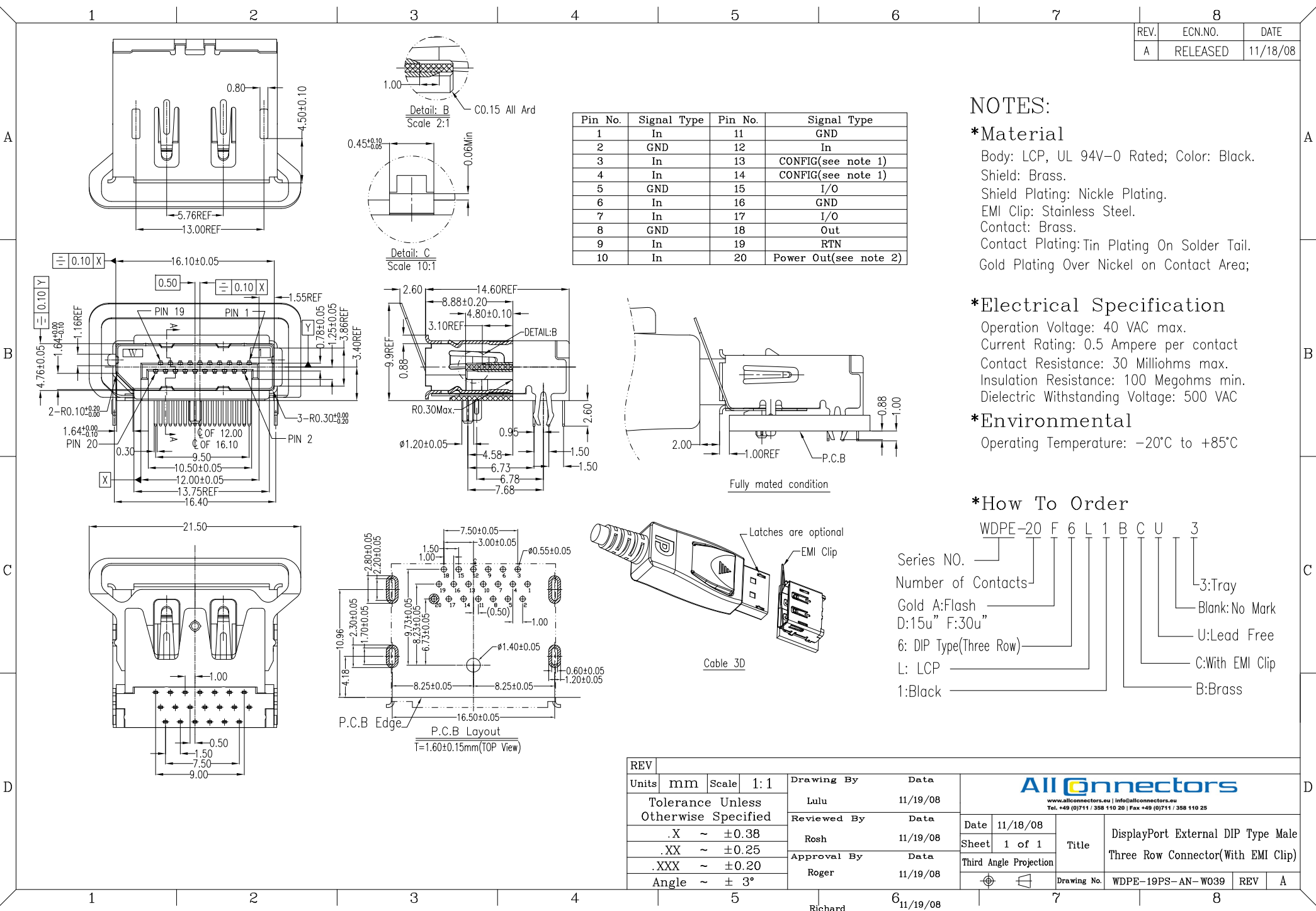
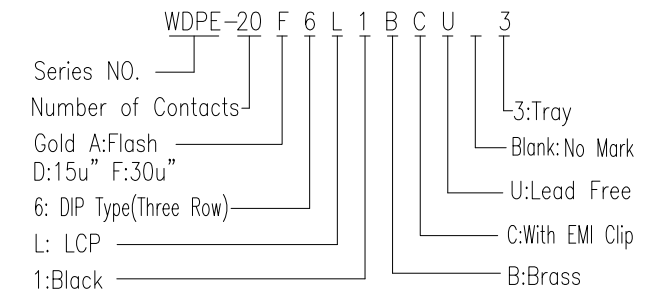
***Electrical Specification**

Operation Voltage: 40 VAC max.
 Current Rating: 0.5 Ampere per contact
 Contact Resistance: 30 Milliohms max.
 Insulation Resistance: 100 Megohms min.
 Dielectric Withstanding Voltage: 500 VAC

***Environmental**

Operating Temperature: -20°C to +85°C

***How To Order**



REV				Drawing By		Date	
Units	mm	Scale	1:1	Lulu	11/19/08		
Tolerance Unless Otherwise Specified				Reviewed By	Data		
.X	~	±0.38		Rosh	11/19/08		
.XX	~	±0.25		Approval By	Data		
.XXX	~	±0.20		Roger	11/19/08		
Angle	~	± 3°					

Allconnectors			
<small>www.allconnectors.eu info@allconnectors.eu Tel: +49 (0)711 / 358 110 20 Fax: +49 (0)711 / 358 110 25</small>			
Date	11/18/08	Title	DisplayPort External DIP Type Male Three Row Connector(With EMI Clip)
Sheet	1 of 1		
Third Angle Projection		Drawing No.	WDPE-19PS-AN-W039
		REV	A