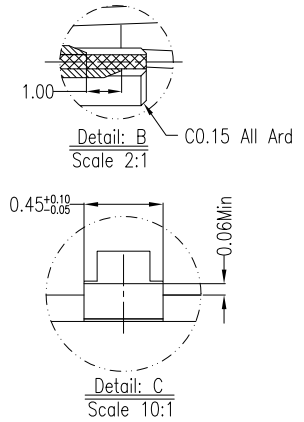
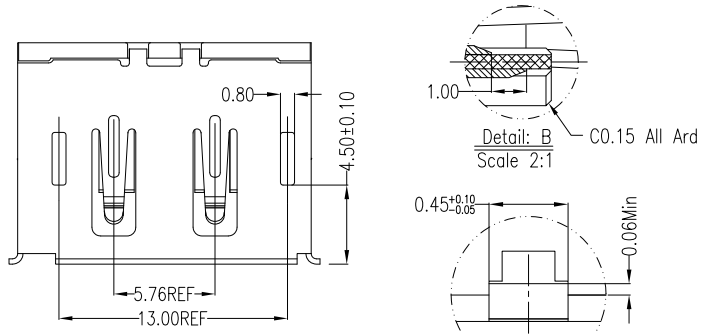


REV.	ECN.NO.	DATE
A	RELEASED	08/05/08
B	Modify Dim.	11/17/08



Pin No.	Signal Type	Pin No.	Signal Type
1	In	11	GND
2	GND	12	In
3	In	13	CONFIG(see note 1)
4	In	14	CONFIG(see note 1)
5	GND	15	I/O
6	In	16	GND
7	In	17	I/O
8	GND	18	Out
9	In	19	RTN
10	In	20	Power Out(see note 2)

**NOTES:**

**\*Material**

Body: LCP, UL 94V-0 Rated; Color: Black.  
 Shield: Brass.  
 Plating: Nickle Plating .  
 Contact: Brass.  
 Plating: Tin Plating On Solder Tail.  
 Gold Plating Over Nickel on Contact Area;

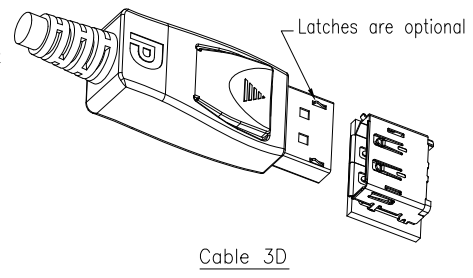
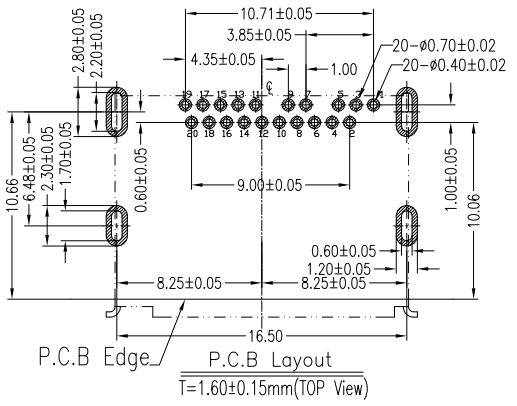
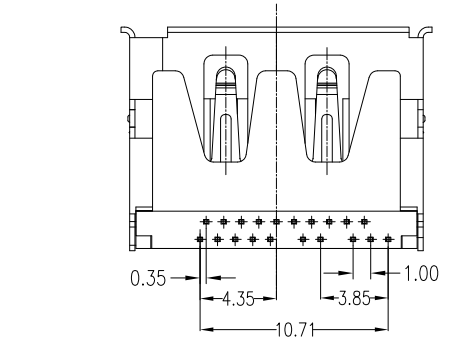
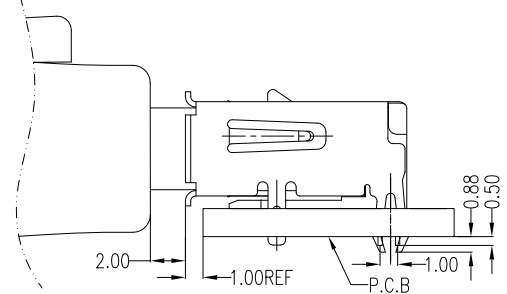
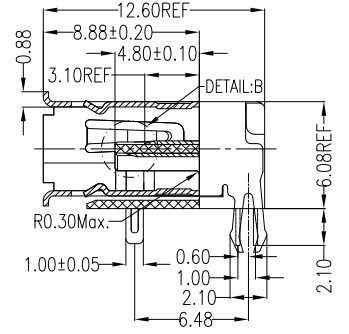
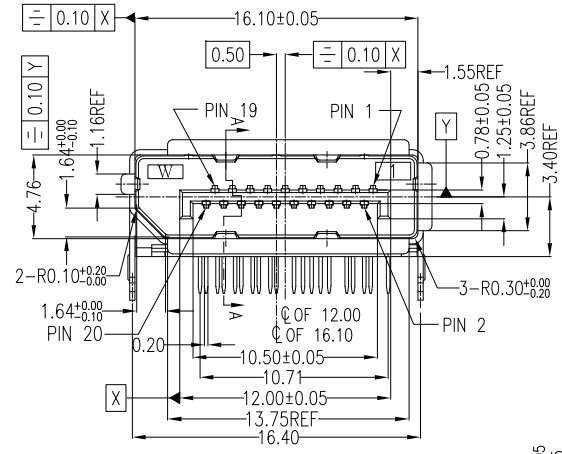
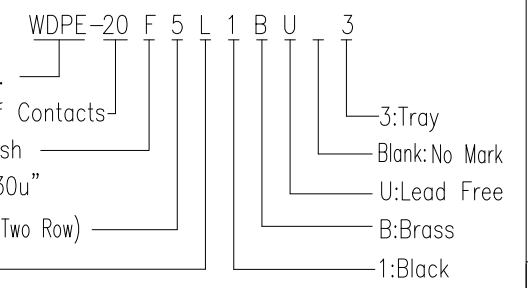
**\*Electrical Specification**

Operation Voltage: 40 VAC max.  
 Current Rating: 0.5 Ampere per contact  
 Contact Resistance: 30 Milliohms max.  
 Insulation Resistance: 100 Megohms min.  
 Dielectric Withstanding Voltage: 500 VAC

**\*Environmental**

Operating Temperature: -20°C to +85°C

**\*How To Order**



REV	Modify Dim.	Units	mm	Scale	1:1	Drawing By	Data	All connectors					
						Lulu	11/19/08	www.allconnectors.eu   info@allconnectors.eu Tel: +49 (0)7111 358 110 20   Fax: +49 (0)7111 358 110 25					
Tolerance Unless Otherwise Specified						Reviewed By	Data					Date	11/19/08
	.X	~	±0.38			Rosh	11/19/08	Sheet	1 of 1				
	.XX	~	±0.25			Approval By	Data	Third Angle Projection		Drawing No.	WDPE-20PS-AN-N036	REV	B
	.XXX	~	±0.20			Nancy	11/19/08						
	Angle	~	± 3°										