

REV.	ECN.NO.	DATE
A	RELEASED	03/10-'10
B	Modify Drawing	10/06-'10
C	Shell material and thickness changes	02/11-'11

No.	Signal Type	No.	Signal Type
1	In	11	GND
2	GND	12	In
3	In	13	CONFIG(see note 1)
4	In	14	CONFIG(see note 1)
5	GND	15	I/O
6	In	16	GND
7	In	17	I/O
8	GND	18	Out
9	In	19	RTN
10	In	20	Power Out(see note 2)

NOTES:

***Material**
Housing:LCP+50%G.F., UL94V-0 Rated;Color:Black.
Shell: Stainless steel.
Plating: Ni(40u" Min.) Plating .
Contact: Brass.
Plating: Au plating on contact area;
Sn(100u" Min.) plating on solder tail;
Ni(40u" Min.) underplating overall.

***Electrical Specification**

Operation Voltage: 40 VAC max.
Current Rating: 0.5 Ampere per contact
Contact Resistance: 30 mΩ max.
Insulation Resistance: 100 MΩ min.
Dielectric Withstanding Voltage: 500 VAC

***Environmental**

Operating Temperature: -20°C to +85°C

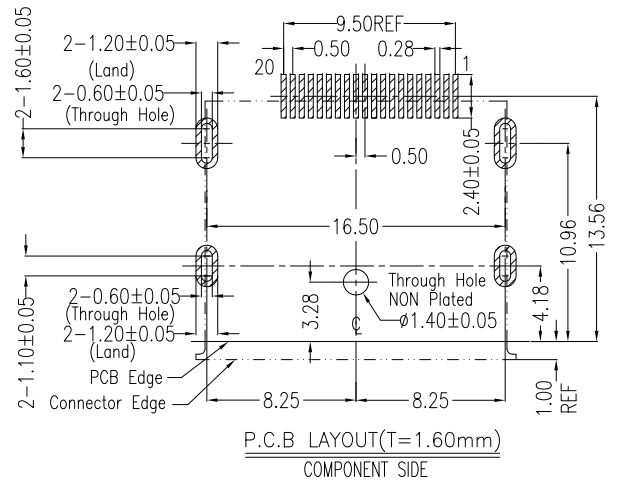
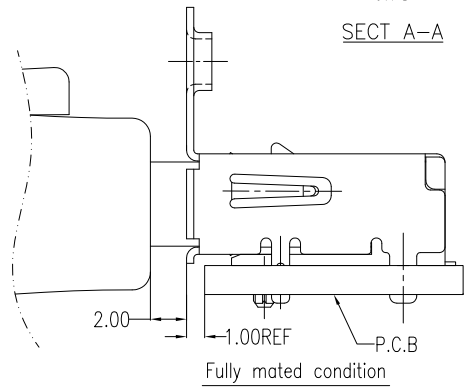
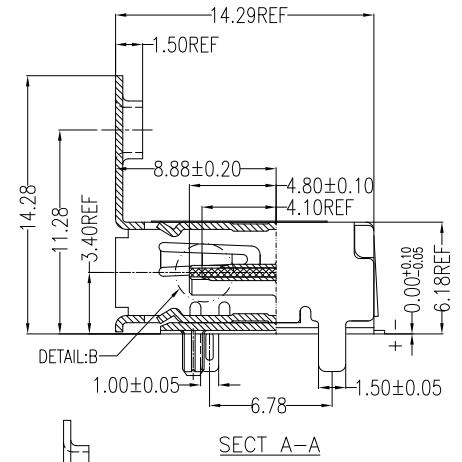
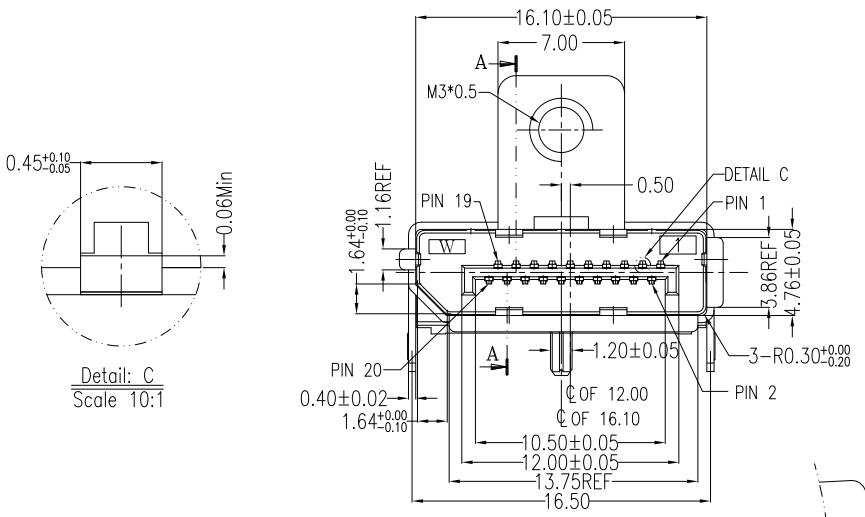
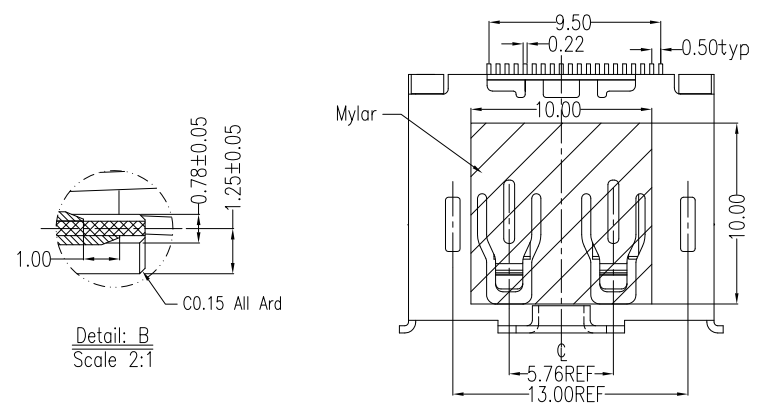
***Mechanical**

Female Screw Lock Torque:3Kgf-cm Max.

***How To Order**

WDPE-20F3L1BGH 3

Series NO. _____ 3:Tray 5:Reel
Number of Contacts _____ Blank:No Mark
Au A:>0.8u" _____ H:Halogen Free
B:5u" D:15u" F:30u" _____ + RoHs-Compliance
3: SMT Type _____ U:Lead Free
L:LCP _____ G:With Flange(7.0)
1:Black _____ (With Mylar)
_____ B:Brass



REV Shell material and thickness changes:0.30 → 0.40				Units		mm		Scale		5:2		Drawing By		Data	
Tolerance Unless Otherwise Specified				.X		~		±0.38		Reviewed By		Liyfeng		02/11-'11	
.XX				~		±0.25		Approval By		Richard		02/11-'11		Date	
.XXX				~		±0.20		Date		02/11-'11		Date		02/11-'11	
Angle				~		± 3°		Date		02/11-'11		Date		02/11-'11	
Date				02/11-'11		Sheet		1 of 1		Title		DisplayPort Receptacle (Female)		SMT Type(With Flange 7.0)	
Third Angle Projection				Drawing No.		WDPE-20PS-AN-N63		REV		C		Title		DisplayPort Receptacle (Female)	

