

REV.	ECN.NO.	DATE
A	RELEASED	06/11-'09
C	Shell material and thickness changes	02/11-'11
D	Increasing convex ribs	11/28-'11

Pin No.	Signal Type	Pin No.	Signal Type
1	In	11	GND
2	GND	12	In
3	In	13	CONFIG(see note 1)
4	In	14	CONFIG(see note 1)
5	GND	15	I/O
6	In	16	GND
7	In	17	I/O
8	GND	18	Out
9	In	19	RTN
10	In	20	Power Out(see note 2)

NOTES:

***Material**

Housing:LCP+50%G.F., UL94V-0 Rated;Color:Black.
 Shield: Stainless steel.
 Plating: Ni(40u" Min.) Plating .
 Contact: Brass.
 Plating: Au plating on contact area;
 Sn(100u" Min.) plating on solder tail;
 Ni(40u" Min.) underplating overall.

***Electrical Specification**

Operation Voltage: 40 VAC max.
 Current Rating: 0.5 Ampere per contact
 Contact Resistance: 30 Milliohms max.
 Insulation Resistance: 100 Megohms min.
 Dielectric Withstanding Voltage: 500 VDC

***Environmental**

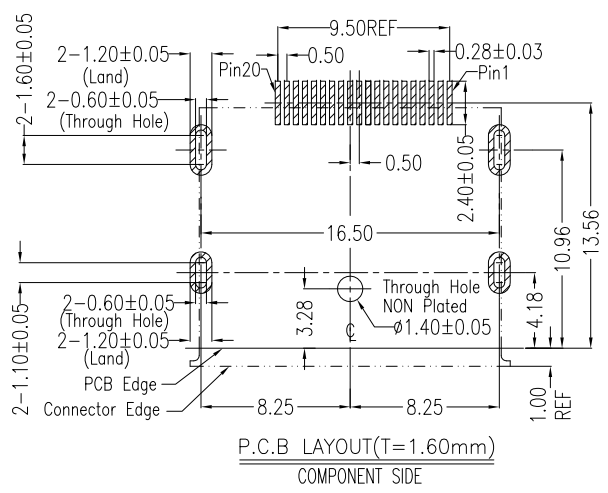
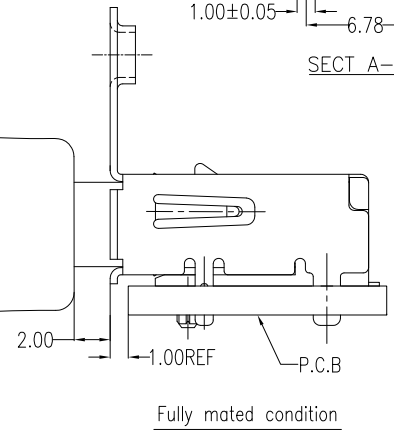
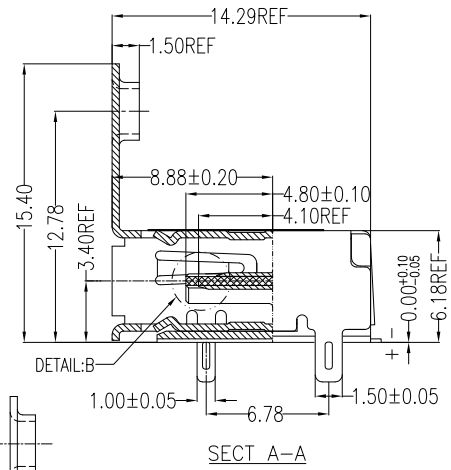
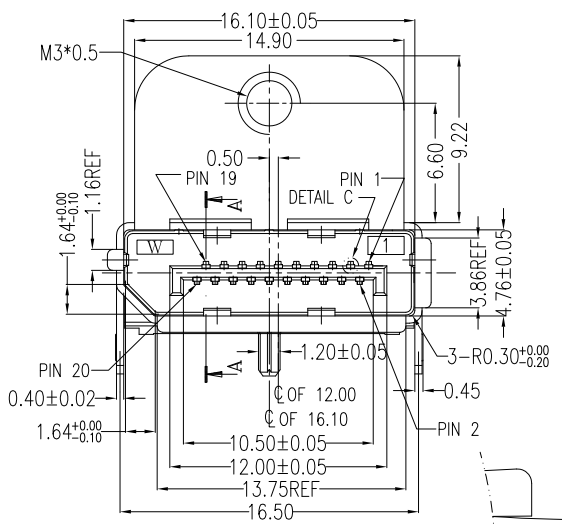
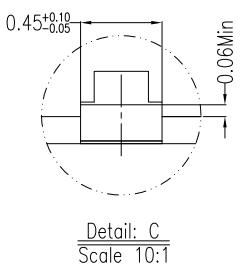
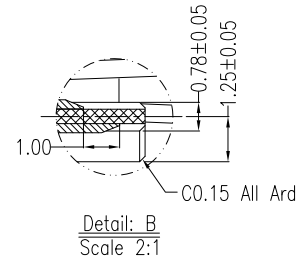
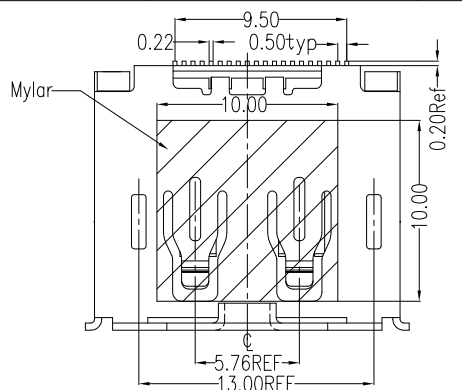
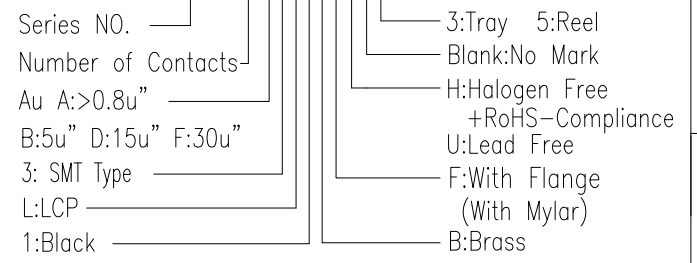
Operating Temperature: -20°C to +85°C

***Mechanical**

Female Screw Lock Torque:3Kgf-cm Max.

***How To Order**

WDPE-20F3L1BFH 5



REV	Increasing convex ribs			Drawing By	Date	All Connectors		Title	
Units	mm	Scale	1:1	Jimmy	11/28-'11	www.allconnectors.eu info@allconnectors.eu Tel. +49 (0)711 / 358 110 20 Fax +49 (0)711 / 358 110 25		Date	11/28-'11
Tolerance Unless Otherwise Specified				Reviewed By	Date	Sheet	1 of 1	Title	DisplayPort Receptacle (Female) SMT Type(With Flange)
.X	~	±0.38		Rosh	11/30-'11	Third Angle Projection		Drawing No.	WDPE-20PS-AN-N43
.XX	~	±0.25		Approval By	Date	REV		D	
.XXX	~	±0.20		Richard	12/05-'11				
Angle	~	± 3°							