

REV.	ECN.NO.	DATE
A	RELEASED	10/12/11
B	Change Packing	12/21-'11

NOTES:

*Material

Body: LCP+50%G.F., UL 94V-0 Rated;
 Color: Black.
 Shell: Brass.
 Plating: Ni(40u" Min.) Plating .
 Contact: Brass.
 Plating: Au plating on contact area;
 Sn(100u" Min.) plating on solder tail;
 Ni(40u" Min.) underplating overall.

*Electrical Specification

Operation Voltage: 40 VAC max.
 Current Rating: 0.5 Ampere per contact
 Contact Resistance: 30 mΩ max.
 Insulation Resistance: 100 MΩ min.
 Dielectric Withstanding Voltage: 500 VAC

*Environmental

Operating Temperature: -20°C to +85°C

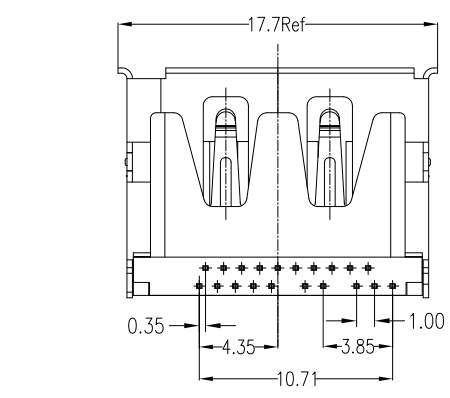
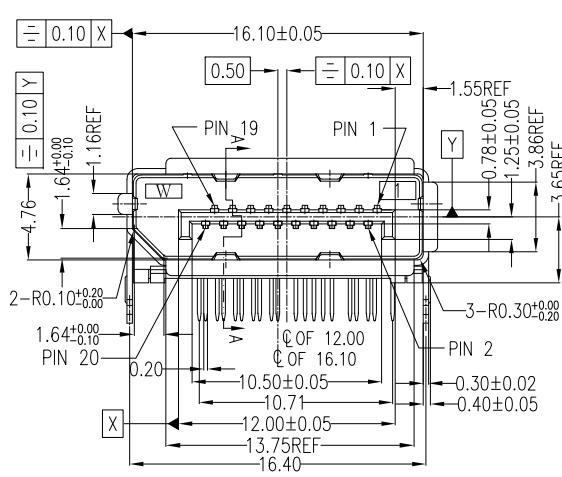
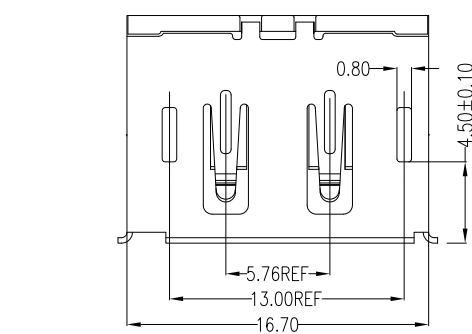
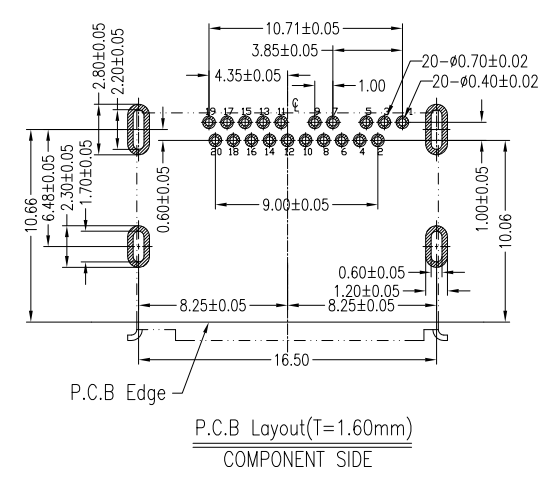
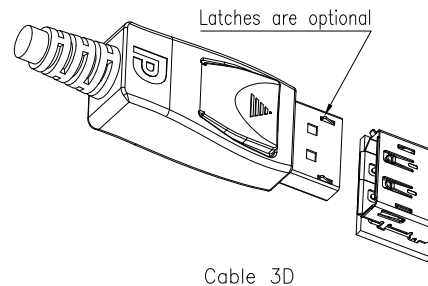
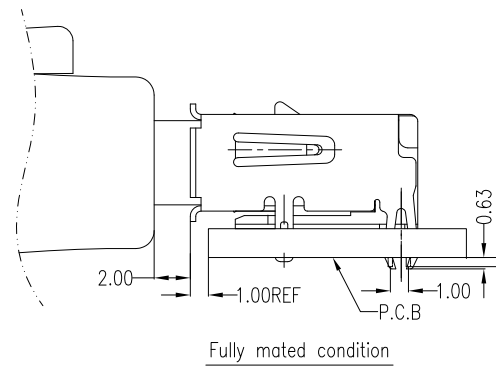
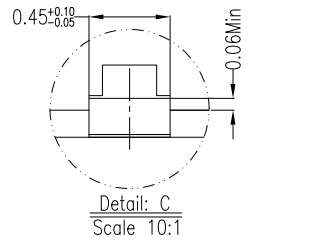
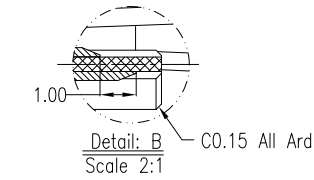
*How To Order


WDPE-20F2L1BH 3

Series NO. _____
 Number of Contacts _____
 Au A:>0.8u"
 D:15u" F:30u"
 2: DIP Type(3.65)
 L: LCP _____

3:Tray
 Blank:No Mark
 H:Halogen Free
 + RoHS-Compliance
 B:Brass
 1:Black

No.	Signal Type	No.	Signal Type
1	In	11	GND
2	GND	12	In
3	In	13	CONFIG(see note 1)
4	In	14	CONFIG(see note 1)
5	GND	15	I/O
6	In	16	GND
7	In	17	I/O
8	GND	18	Out
9	In	19	RTN
10	In	20	Power Out(see note 2)



REV 1.Change Packing;2.Add three dimensions: 16.70, 17.7Ref, 0.40±0.05 0.30±0.02.									
Units	mm	Scale	1:1	Drawing By	Date	 <small>www.allconnectors.eu info@allconnectors.eu</small> <small>Tel: +49 (0)7141 358 110 20 Fax: +49 (0)7141 358 110 25</small>			
Tolerance Unless Otherwise Specified				Lulu	12/21-'11				
.X	~	±0.38		Reviewed By	Date	Date	12/21-'11	Title	DisplayPort External DIP Type Male Double Rows Connector(3.65)
.XX	~	±0.25		Rosh	12/21-'11	Sheet	1 of 1		
.XXX	~	±0.20		Approval By	Date	Third Angle Projection			
Angle	~	± 3°		Richard	12/21-'11	Drawing No.	WDPE-20PS-AN-N083	REV	B