

Pin No.	Signal Type	Pin No.	Signal Type
1	In	11	GND
2	GND	12	In
3	In	13	CONFIG(see note 1)
4	In	14	CONFIG(see note 1)
5	GND	15	I/O
6	In	16	GND
7	In	17	I/O
8	GND	18	Out
9	In	19	RTN
10	In	20	Power Out(see note 2)

NOTES:

***Material**

Housing: LCP+50%G.F., UL 94V-0 Rated; Color: Black.
 Shield: Brass.
 Plating: Nickle(40~80u") Plating .
 Hook: Brass.
 Plating: Tin(100~250u") Plating.
 Contact: Brass.
 Plating: Gold Plating Over Nickel(40~80u") on Contact Area; Tin(100~250u") Plating On Solder Tail.

***Electrical Specification**

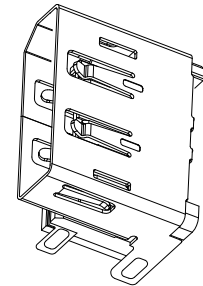
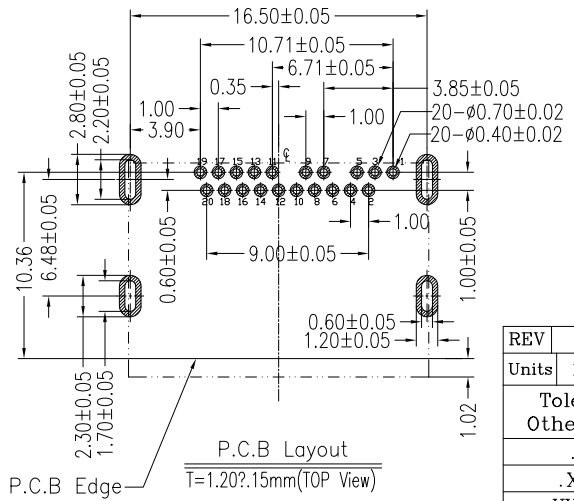
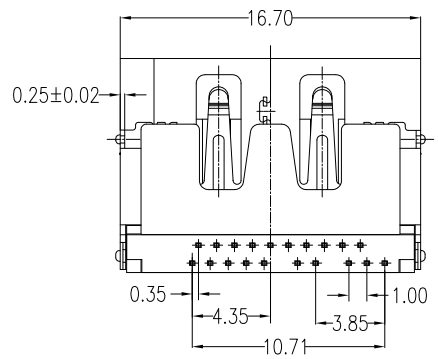
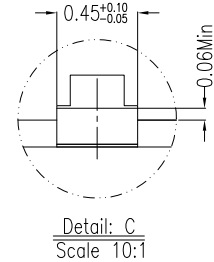
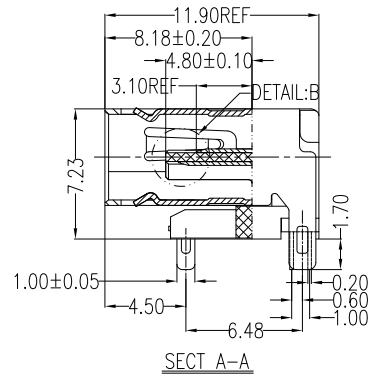
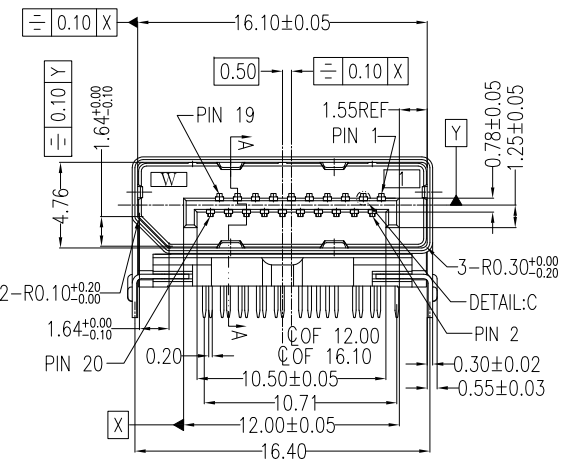
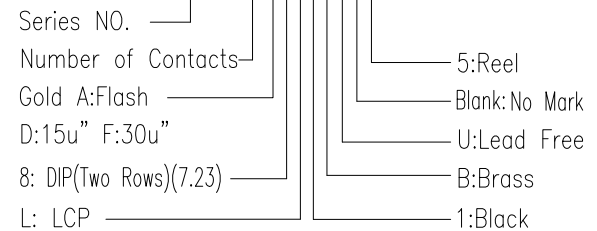
Operation Voltage: 40 VAC max.
 Current Rating: 0.5 Ampere per contact
 Contact Resistance: 30 mΩ max.
 Insulation Resistance: 100 MΩ min.
 Dielectric Withstanding Voltage: 500 VAC

***Environmental**

Operating Temperature: -20°C to +85°C

***How To Order**

WDPE-20D8L1BU 5



REV	Units	mm	Scale	5:2	Drawing By	Data				
	Tolerance Unless Otherwise Specified				Liyfeng	03/22/10	<small>www.allconnectors.eu info@allconnectors.eu Tel. +49 (0)711 / 358 110 20 Fax +49 (0)711 / 358 110 25</small>			
	.X	~ ±0.38			Reviewed By	Data	Date	03/22/10	DisplayPort External DIP Type Male Double Rows(7.23) Connector	
	.XX	~ ±0.25			ZYZ	03/22/10	Sheet	1 of 2		
	.XXX	~ ±0.20			Approval By	Data	Third Angle Projection			
	Angle	~ ± 3°			Richard	03/22/10	Drawing No.	WDPE-20PS-AN-N55		
									REV	A