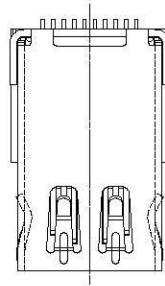
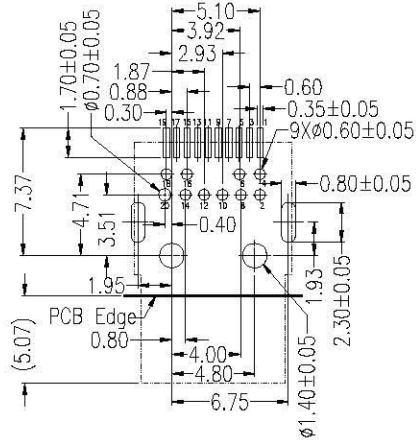
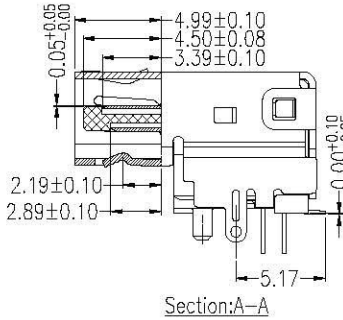
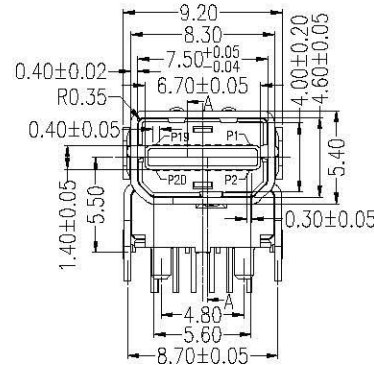
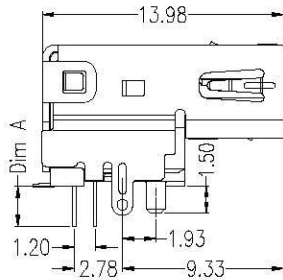


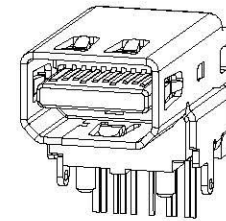
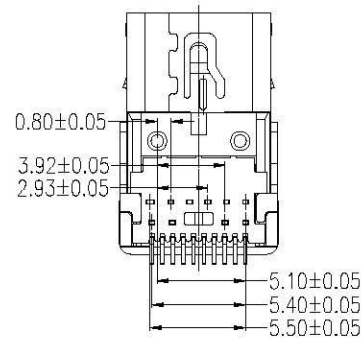
Unit:mm		
Part NO.	Dim A	P.C.B Thickness
MDSP-SRW55PM-20	2.15~2.30	1.20



Top Row			Bottom Row		
Pin NO.	Signal Type	Pin Name	Pin NO.	Signal Type	Pin Name
1	GND	GND	2	In	HotPlug_Detect
3	Out	ML_Lane 0(p)	4	CONFIG	CONFIG1
5	Out	ML_Lane 0(n)	6	CONFIG	CONFIG2
7	GND	GND	8	GND	GND
9	Out	ML_Lane 1(p)	10	Out	ML_Lane 3(p)
11	Out	ML_Lane 1(n)	12	Out	ML_Lane 3(n)
13	GND	GND	14	GND	GND
15	Out	ML_Lane 2(p)	16	I/O	AUX_CH(p)
17	Out	ML_Lane 2(n)	18	I/O	AUX_CH(n)
19	GND	GND	20	PWR Out	DP_PWR



P.C.B Layout  
Component side



## NOTES:

### \*Material

Body: LCP+50%G.F UL94V-0 Color:Black  
 Insert(Molding): LCP+30%G.F UL94V-0 Color:Black  
 Retainer: LCP+50%G.F UL94V-0 Color:Black  
 Contact: Phosphor Bronze;  
 Plating: Gold plating over Nickel(40~80U")  
 on contact area, Tin(100~250U")  
 Plating on Solder Tail.

Shell: Brass;  
 Plating: Nickle(40~80U") Plating.

### \*Mechanical

Insertion Force: 4.5Kg Max  
 Withdrawal Force: 1.0~4.0Kg Min  
 Durability: 10000 Cycles

### \*Electrical Specification

Current Rating: 0.5 Ampere per contact  
 Contact Resistance: 30 mΩ max.  
 Insulation Resistance: 100MΩ Min  
 Dielectric Withstanding Voltage: 500V AC Min

### \*Environmental

Operating Temperature: -40°C to +85°C.

## RoHS Compliant

# All Connectors

www.allconnectors.de

info@allconnectors.de

Tel.: 0049 711 7009503

Fax: 0049 711 7009504

70754 Filberstadt - Germany

Kettnerstr. 25

DRAWING BY CY

CHECKED BY GENIUS

UNIT/mm SCALE 1:1

DATE

SIZE A4 PROJECTION

### TOLERANCES ARE

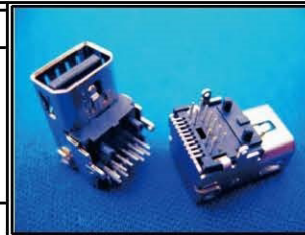
X ±

.X ±

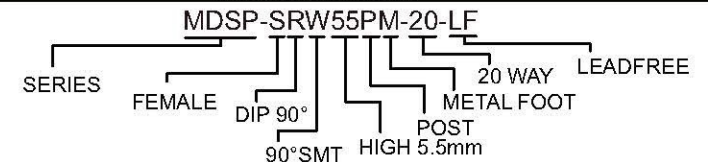
.XX ±

.XXX ±

ANG ±



### ORDER INFORMATION



DESCRIPTION: Mini Displayport Receptacle DIP+SMT (APPLE 5.5) No Mark