

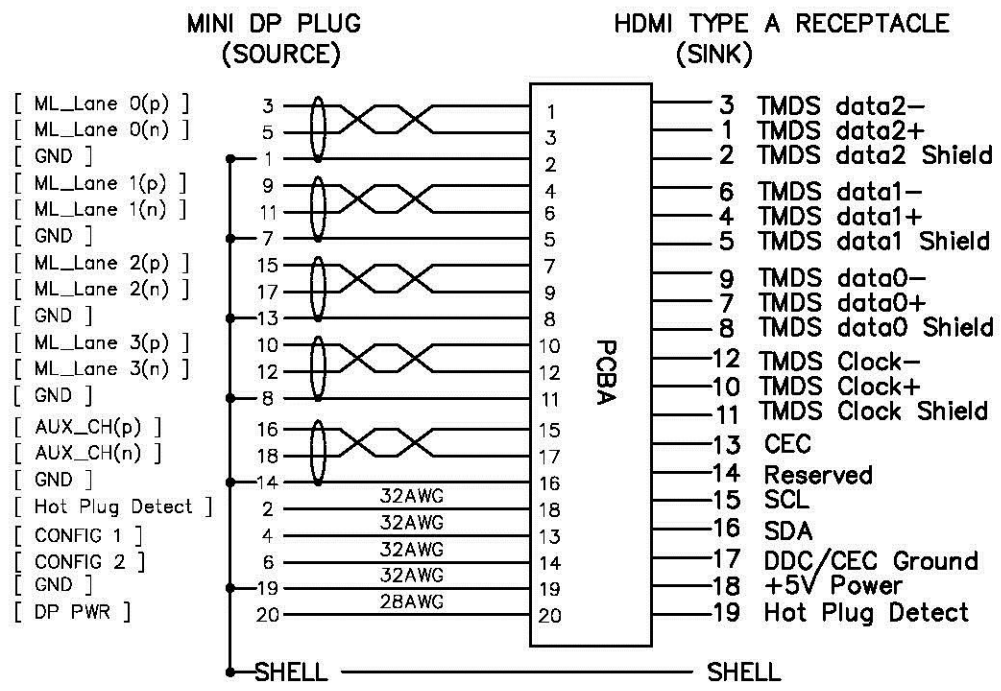
ORDERING INFORMATION:

18-9420B007 - * * * * - ****

(1) (2) (3)(4)(5)(6) (7)

- (1) SERIES NUMBER:
18 : CABLE SERIES
- (2) SEQUENCE NO.
9420B007:MINI DP PLUG TO HDMI TYPE A RECEPTACLE CABLE.
- (3) OUTER COVER & CABLE COLOR CODES:
4: WHITE
- (4) PLATING OF CONTACT & SHELL :
4 : CONTACT: 15u";SHELL: PLATED NIKEL
- (5) LOGO CODE :
N: WITHOUT LOGO
- (6) CABLE SPEC(AWG) :
3: 32AWG;
- (7) LENGTH + UNIT CODE:
cm: CENTIMETER
EX → 20cm: 20CENTIMETER.

PIN ASSIGNMENT:



Electrical character:
a. Function Test: by PC and monitor 1080P 60Hz test pass.

6	OUTER COVER	HDMI TYPE A RECEPTACLE CONNECTOR ABS OUTER COVER	
5	CONNECTOR 2	HDMI TYPE A RECEPTACLE CONNECTOR W/PCBA	
4	SR	PVC	
3	OUTER COVER	MINI DP CONNECTOR ABS OUTER COVER	
2	CONNECTOR 1	MINI DP CONNECTOR PLUG	
1	CABLE	UL20276 DISPLAYPORT CABLE IMPEDANCE:100 Ohm	

NO.	PART NAME	SPEC DESCRIPTION	NOTE
	INNERMOLD	TOLERANCE UNLESS SPECIFIED ± ± 0.1 ± 0.38 ANGLE ±	 SCALE: NON UNIT: mm
	OVERMOLD	DRAWN: Hahaoo 2012/08/11 DESIGNER: Hahaoo 2012/08/11 CHECKED: Magic 2012/08/11 APPROVED: Dived 2012/08/11	
		NAME: Mini Displayport male to HDMI type A Receptacle cable	SHEET: 1/1
		DRAWING NO: 18-9420B007	REV: 1.0