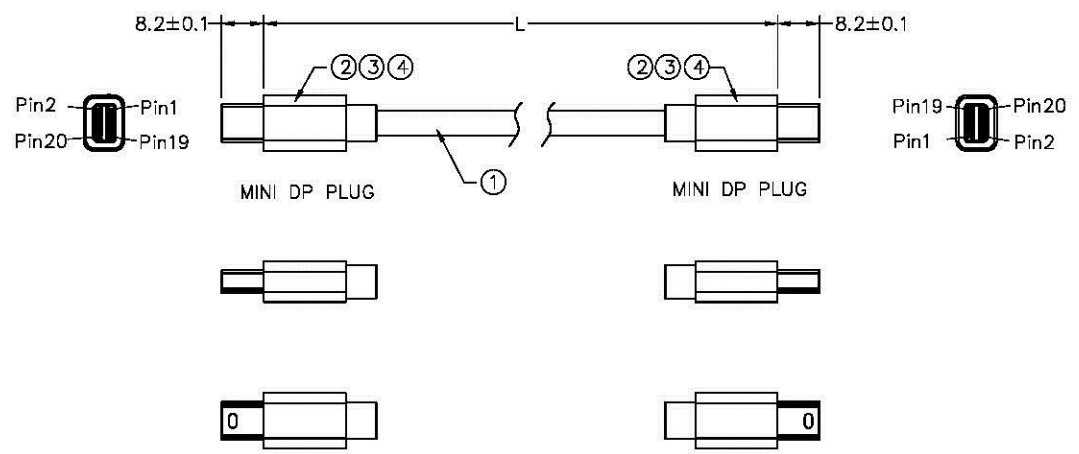


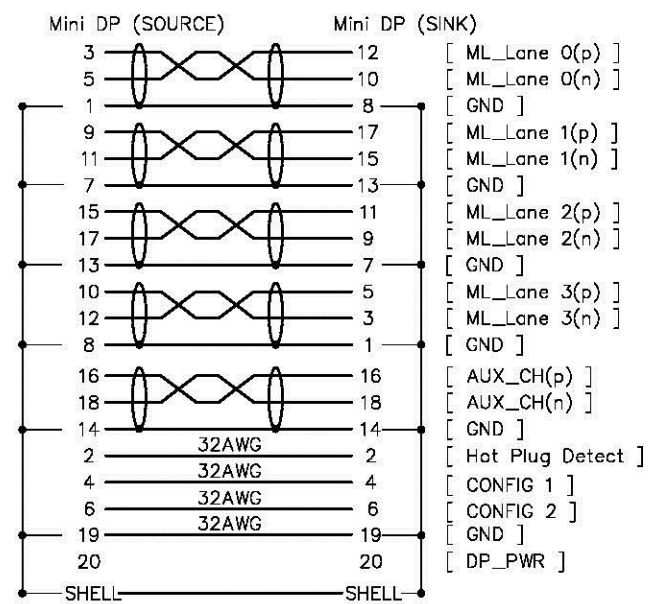
1	2	3	4	5	6	7	8			
CUSTOMER	CUST P/N	FREEPORT P/N	<b>RoHS Compliant</b>	REV	ZONE	LTR	DESCRIPTION	DATE	REVISER	APPD
ALL		18-9420B005								



**ORDERING INFORMATION:**

- 18-9420B005 - \* \* \* \* - \*\*\*\***  
 (1) (2) (3)(4)(5)(6) (7)
- (1) SERIES NUMBER:  
18 : CABLE SERIES
  - (2) SEQUENCE NO.  
9420B005: MINI DP PLUG TO MINI DP PLUG CABLE.
  - (3) OUTER COVER & CABLE COLOR CODES:  
4: WHITE
  - (4) PLATING OF CONTACT & SHELL :  
4 : CONTACT: 15u";SHELL: PLATED NIKEL
  - (5) LOGO CODE :  
N: WITHOUT LOGO
  - (6) CABLE SPEC(AWG) :  
3: 32AWG;
  - (7) LENGTH + UNIT CODE:  
M: METER; CM: CENTIMETER; FT: FEET; IN: INCH  
EX → 1M: 1METER.

**PIN ASSIGNMENT:**



Electrical character:  
 a. 100% open & short testing.  
 b. Withstanding voltage: DC 300V 0.01Sec.  
 c. Insulation resistance: 5M Ohm(Min).  
 d. Conductive resistance: 3 Ohm(Max).

4	SR	PVC	
3	OUTER COVER	MINI DP PLUG ABS OUTER COVER	
2	CONNECTOR 1	MINI DP PLUG CONNECTOR	
1	CABLE	UL20276 DISPLAYPORT CABLE IMPEDANCE:100 Ohm	
NO.	PART NAME	SPEC DESCRIPTION	NOTE
INNERMOLD		TOLERANCE UNLESS SPECIFIED ± ± 0.1 ± 0.38 ANGLE ±	 SCALE NON UNIT mm SHEET 1/1
OVERMOLD		DRAWN: Hattoo 2012/08/11 DESIGNER: Hattoo 2012/08/11 CHECKED: Magic 2012/08/11 APPROVED: Dived 2012/08/11	
		DRAWING NO.	REV F
		18-9420B005	1.0