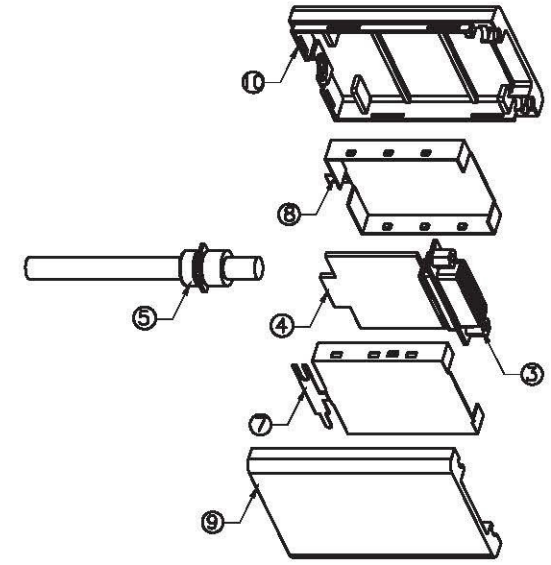
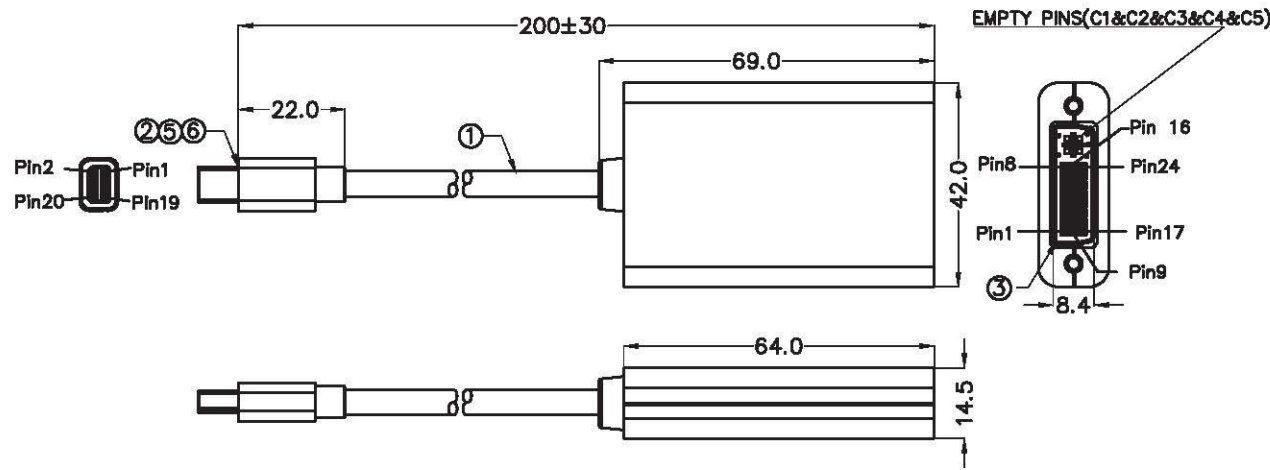


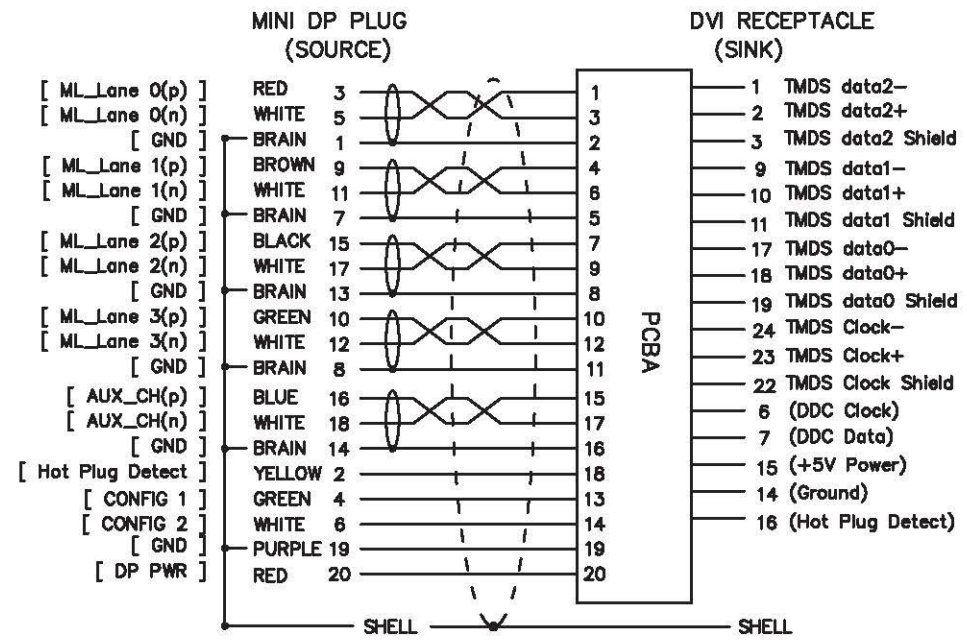
CUSTOMER CUST P/N FREEPORT P/N

RoHS Compliant

REV	ZONE	LTR	DESCRIPTION	DATE	REVISER	APPD
1.0			New Drawing	2011.05.05	Gene	



PIN ASSIGNMENT:

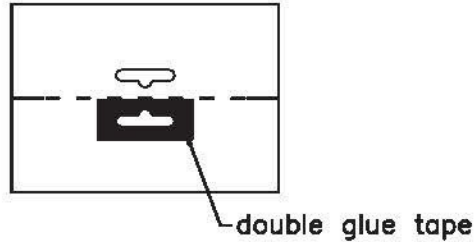


NO.	PART NAME	SPEC DESCRIPTION	REMAKE
10	COVER 2	TOP COVER ABS WHITE	
9	COVER 1	BOTTOM COVER ABS WHITE	
8	TOP SHELL	TOP SHELL SPCC T=0.4MM	
7	BOTTOM SHELL	BOTTOM SHELL SPCC T=0.4MM	
6	OUTER COVER	MINI DP CONNECTOR ABS OUTER COVER	
5	OVERMOLDING	70PA PVC, WHITE	
4	PCBA	DISPLAYPORT TO DVI PCBA, CABLE TYPE	
3	CONNECTOR 2	DVI(24+5) FEMALE, CONTACT GOLD PLATED, SHELL PLATED NICKEL	
2	CONNECTOR 1	MINI DP CONNECTOR PLUG, CONTACT GOLD PLATED, SHELL PLATED NICKEL	
1	CABLE	UL20276 DISPLAYPORT CABLE WHITE OD:5.0mm IMPEDANCE:100 Ohm	

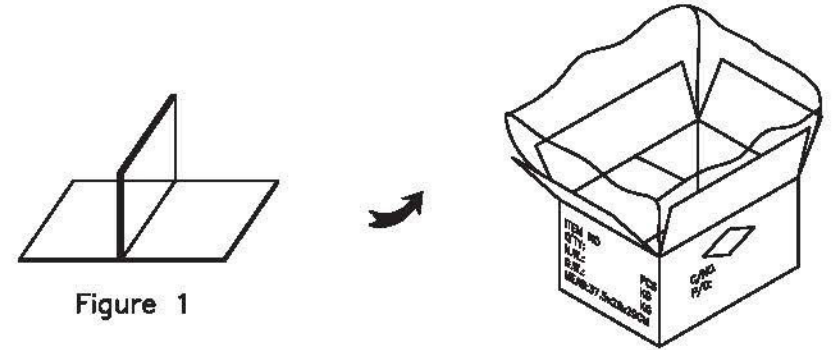
MATERIAL	Tolerance unless specified		
FINISH	ANGLE	SCALE	UNIT
		NON	mm
	DRAWN: Gene Lee 11/05/05	NAME	
	DESIGNER: Gene Lee 11/05/05	Mini DP plug to DVI(24+5) F cable, 32AWG, white, L=200mm.	
CHECKED:	DRAWING NO.		SHEET
APPROVED:	18-94202291		1/2
			REV 1.0

1	2	3	4	5	6	7	8			
CUSTOMER	CUST P/N	FREEPORT P/N		REV	ZONE	LTR	DESCRIPTION	DATE	REVISER	APPD
				1.0			New Drawing	2011.12.06	Haitao	

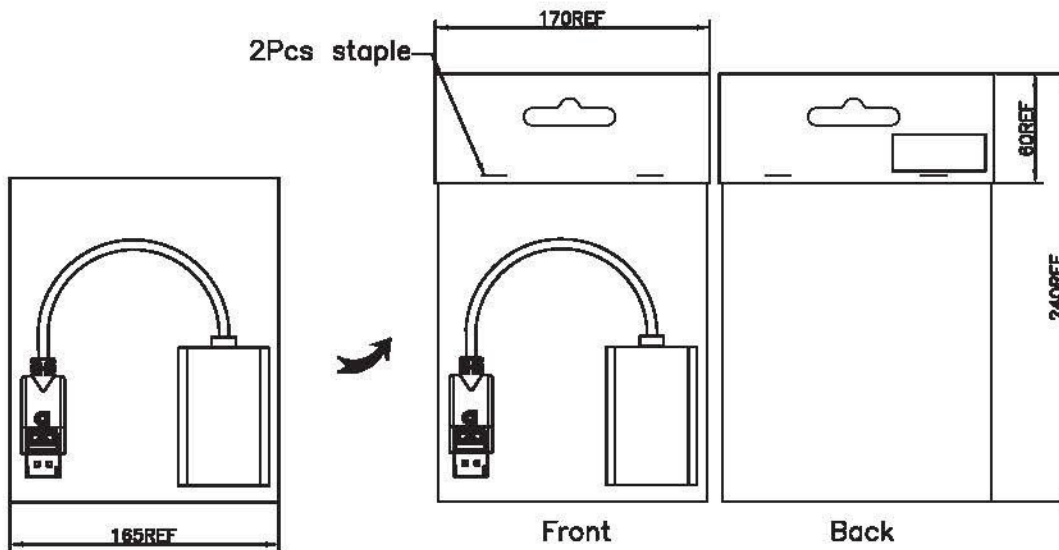
1. Take out the color card, affix the double glue Tape in the corresponding position



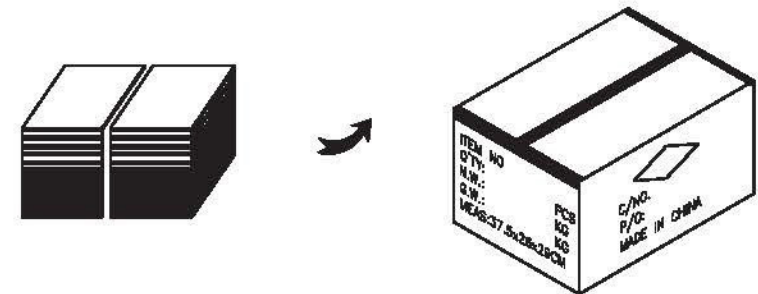
3. Place a waterproof PE bag in carton, and bend paper board follow as figure 1. then put it into carton.



2. Pack Cable into PE bag.



4. Put the product in carton, Then lay another paper board on the top of carton.



INNERMOLD	Tolerance unless specified	Allconnectors	
	<ul style="list-style-type: none"> ± ± 3.0 ± ± 		SCALE
OVERMOLD	ANGLE	NON	mm
	DRAWN: Haitao 2011/12/6 DESIGNER: CHECKED: Robert APPROVED: Dived	NAME: Mini DP plug to DVI(24+5) F cable, 32AWG, white, L=200mm. DRAWING NO. 18-94202291	
			SHEET 2/2
			REV 1.0