

**NOTES:**

**\*Material**

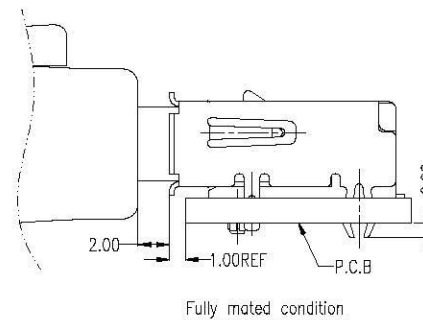
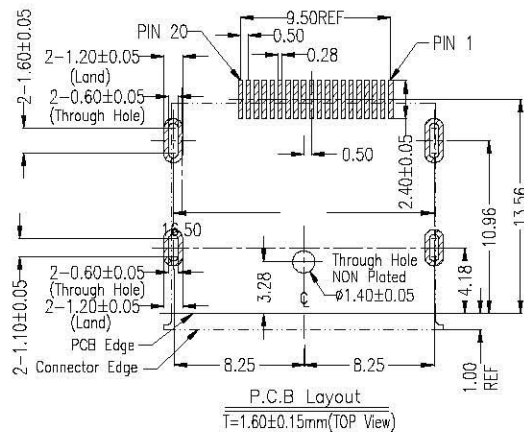
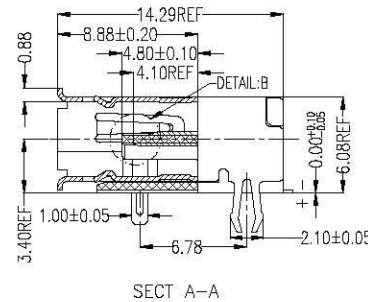
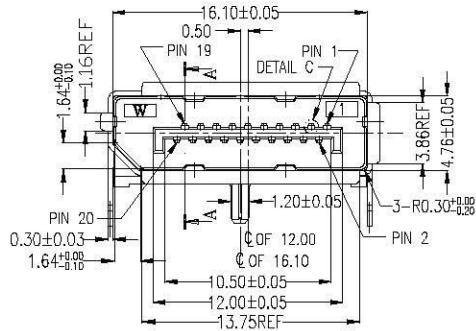
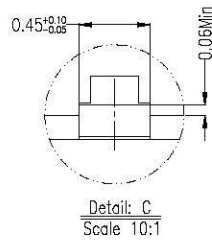
Body: LCP, UL 94V-0 Rated; Color: Black.  
Shield: Brass.  
Plating: Nickle Plating .  
Contact: Brass.  
Plating: Tin Plating On Solder Tail.  
Gold Plating Over Nickel on Contact Area;

**\*Electrical Specification**

Operation Voltage: 40 VAC max.  
Current Rating: 0.5 Ampere per contact  
Contact Resistance: 30 Milliohms max.  
Insulation Resistance: 100 Megohms min.  
Dielectric Withstanding Voltage: 500 VDC

**\*Environmental**

Operating Temperature: -20°C to +85°C



**All Connectors**  
www.allconnectors.de  
Tel.: 0049 711 7006503  
70794 Filderstadt - Germany

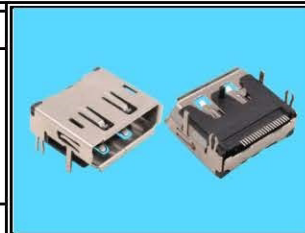
info@allconnectors.de  
Fax: 0049 711 7006504  
Kettenerstr. 25

**RoHS Compliant**

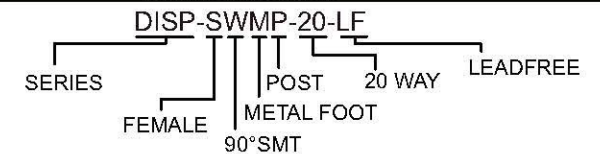
DRAWING BY CY	
CHECKED BY GENIUS	
UNIT/ mm	SCALE 1:1
DATE	
SIZE A4	PJECTION

**TOLERANCES ARE**

X ±  
X ±  
XX ±  
XXX ±  
ANG ±



**ORDER INFORMATION**



**DESCRIPTION:** DisplayPort Peceptacle (Female) SMT Type