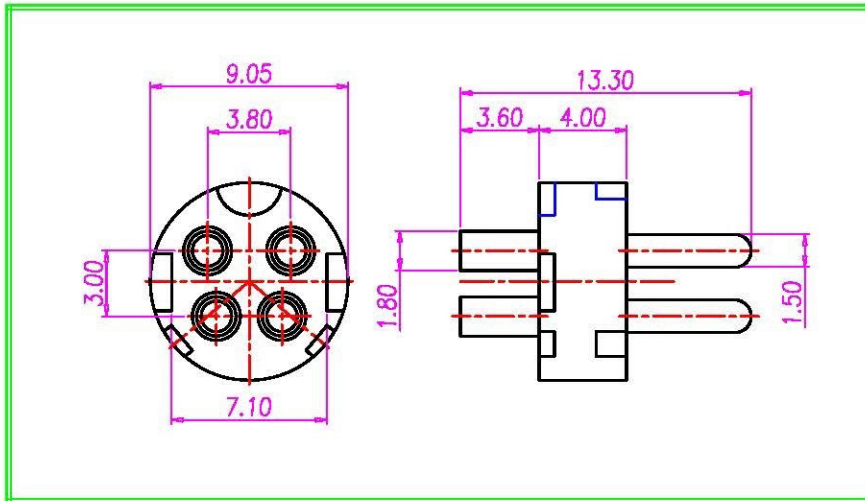


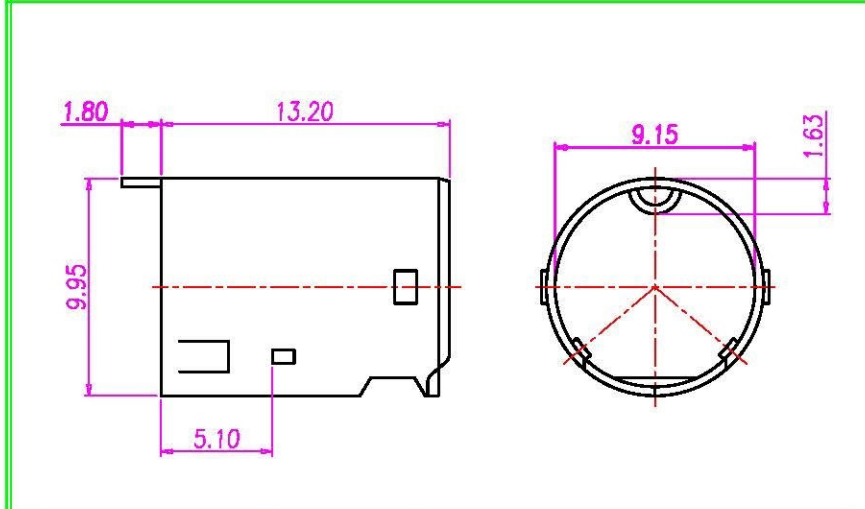
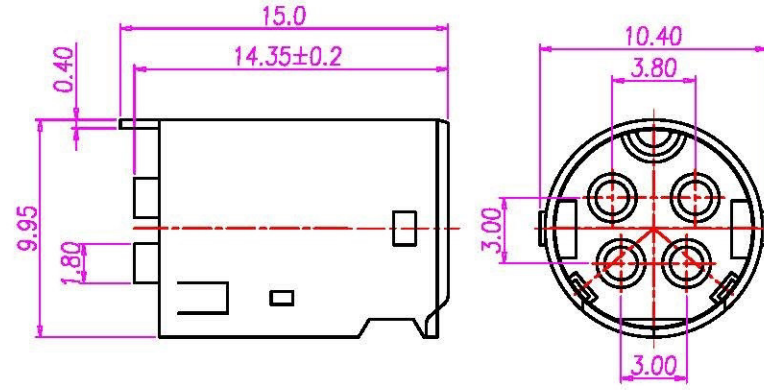
This document is the property of Nian-Yeong Corporation and is delivered on the express condition that it is not to be disclosed, reproduced or used, in whole or in part, for manufacture or sale by anyone other than Nian-Yeong Corporation without its prior consent, and that no right is granted to disclose or to use any information in this document.

# CUSTOMER DRAWING

REV.	DESCRIPTION	APPROVED BY	DATE	ECN NO.
A	RELEASE	Fido Veng	20/03/09	
B				
C				



NY-DM100(HOUSING&PIN)



OY-DM0031(SHELL)

- MATERIAL :**
  - 1-1. HOUSING : PBT UL94V-0 ; COLOR : BLACK
  - 1-2. CONTACT : BRASS
  - 1-3. SHELL : BRASS
- FINISH :**
  - 2-1. CONTACT : 30 MICRO INCHES MIN. SILVER PLATED  
UNDER PLATE : NICKEL
  - 2-2. SHELL : NICKEL PLATED 50u" OVER ALL
- ELECTRICAL SPECIFICATION :**
  - 3-1. Rated current : 7.5A/DC MAX
  - 3-2. Rated Voltage :25V/DC MAX
- Environmental :**
  - 4-1. Operation Temperature : -20 ℃~85℃

DRAWN	KU	APPEND	UNIT	MM	TOLERANCE		TITLE	POWER DIN 4PIN (M) MOLDING TYPE			SHEET
CHOKED			SCALE	1:1	X ±0.20 XX ±0.10 XXX ±0.05 XXXX ±0.03 ANGULA ±1°		PART NO.	PD-04M2-05	DWG NO.	QC2079	VERSION
						<a href="http://www.allconnectors.de">www.allconnectors.de</a> TEL: 0049 711 7002503 70704 Eilderstadt - Germany	info@allconnectors.de FAX: 0049 711 7002504 Kette 1erstr. 25				A