

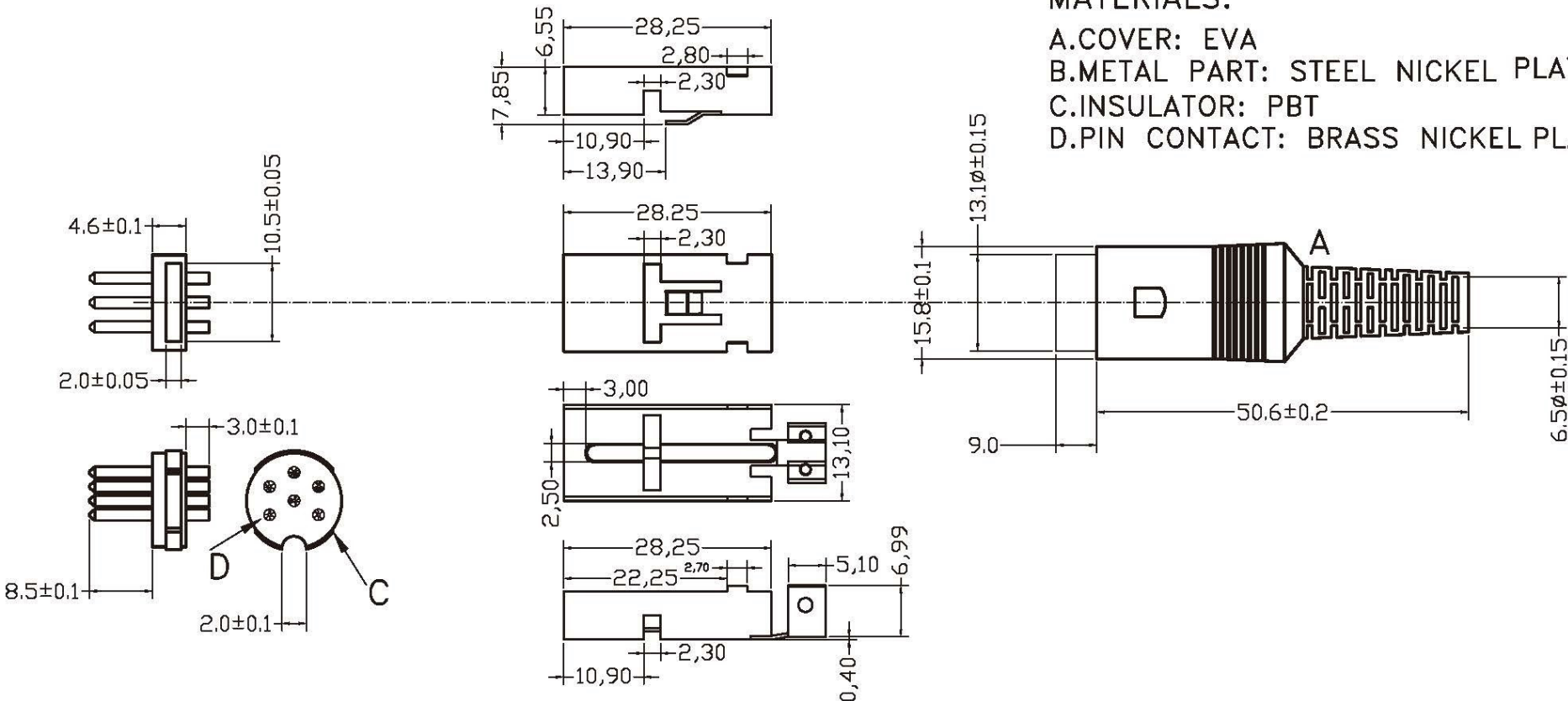
3P 180°	4P 210°	5P 180°	5P 240°	6P 240°	7P 270°	8P 270°
DA-P-03	DA-P-04	DA-P-05	DA-P-05B	DA-P-06	DA-P-07	DA-P-08

SPECIFICATIONS:

- 1.RATING:100V AC AT 1A
- 2.INSULATION RESISTANCE:
OVER 100M IHM AT 500V DC
- 3.DIELECTRIC STRENGTH:
250V AC FOR ONE MINUTE

MATERIALS:

- A.COVER: EVA
- B.METAL PART: STEEL NICKEL PLATED
- C.INSULATOR: PBT
- D.PIN CONTACT: BRASS NICKEL PLATED



All Connectors

RoHS Compliant

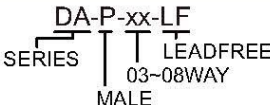
TOLERANCES ARE

DRAWING BY CY	
CHECKED BY GENIUS	
UNIT / mm	SCALE 1 : 1
DATE	
SIZE A4	PJECTION

X ±
.X ±
.XX ±
.XXX ±
ANG ±



ORDER INFORMATION



DESCRIPTION: DIN PLUG ASS'Y TYPE

www.allconnectors.de
Tel.: 0049 711 7003503
11144 Hilderstadt - Germany

info@allconnectors.de
Fax: 0049 711 7003504
Kettnerstr. 7b