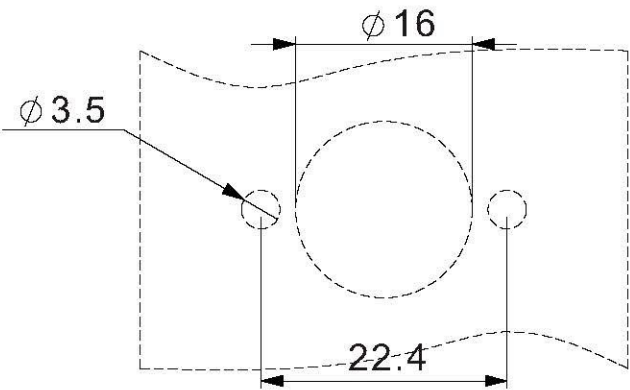
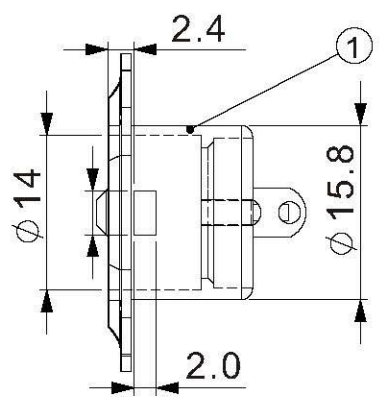
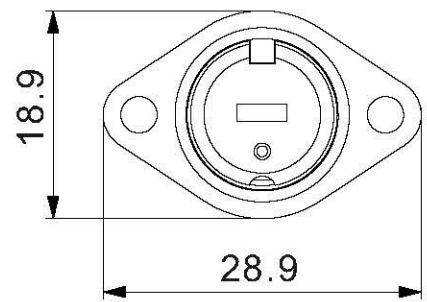
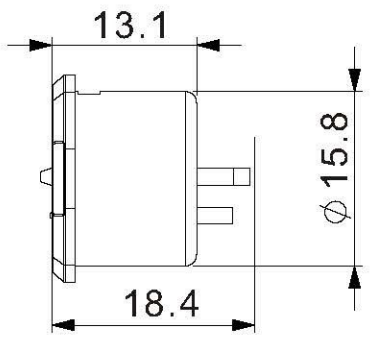
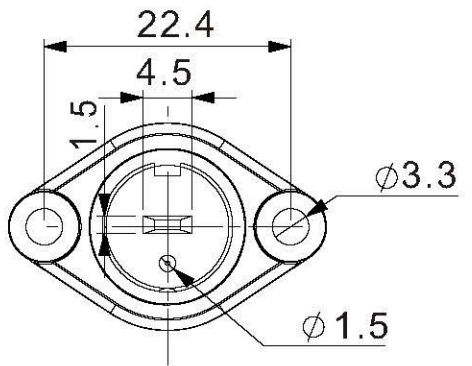


1 2 3 4 5 6 7 8 9 0

J
I
H
G
F
E
D
C
B
A



THROUGH HOLE DIMENSIONS



4	ROUND PIN	BRASS	NICKEL PTD.	1
3	FLAT PIN	BRASS	NICKEL PTD.	1
2	HOUSING	ABS		1
1	SHIELD COVER	ZN ALLOY	NICKEL PTD.	1
NO.	Description	Material	Treat	Q'ty

SPK-PSPE-02-LF
LEADFREE
RoHS Compliant

All Connectors
www.allconnectors.de
Tel.: 0049 711 7009503
70734 Hildersbach Germany

PART NO. SPK-PSPE-02

DWG NO. SPK-PSPE-02

FILE NO.

UNIT / mm

SCALE 1:1

CHECKED BY CY

DRAWING BY

PROJECTION

TOLERANCES ARE
.X ± 0.2
.XX ±
.XXX ±
AWG

DESCRIPTION:

AREA	REVISIONS	HK	DATE
------	-----------	----	------