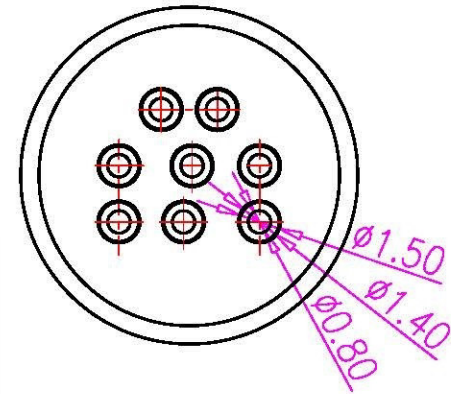
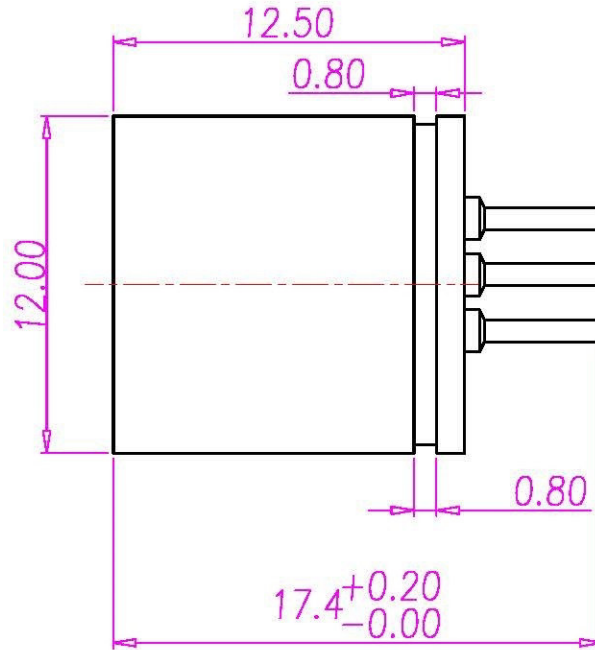
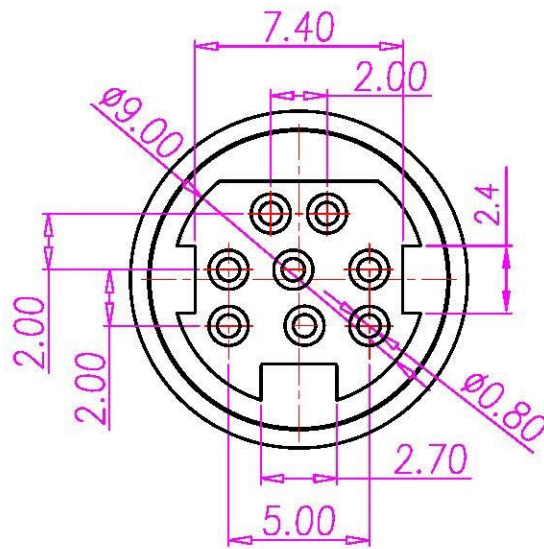


This document is the property of Nan-Yeong Corporation and is delivered on the express condition that it is not to be disclosed, reproduced or used, in whole or in part, for manufacture or sale by anyone other than Nan-Yeong Corporation without its prior consent, and that no right is granted to disclose or to use any information in this document.

CUSTOMER DRAWING

| REV. | DESCRIPTION | APPROVED BY | DATE | ECN NO. |
|------|-------------|-------------|----------|----------|
| A | RELEASE | Fido Veng | 20/04/09 | |
| B | CHANGE DIM. | Fido Veng | 15/05/09 | ECN09118 |
| C | | | | |



1. MATERIAL :
 - 1-1. HOUSING : PBT UL94V-0 ; COLOR : BLACK
 - 1-2. CONTACT : PHOSPHOR BRONZE
 - 1-3. SHELL : BRASS
2. FINISH :
 - 2-1. CONTACT : GOLD FLASH PLATED
UNDER PLATE : NICKEL
 - 2-2. SHELL : NICKEL PLATED 60u" ~ 100u" OVER ALL
3. ELECTRICAL SPECIFICATION :
 - 3-1. Rated current : DC 3A MAX
 - 3-2. Rated Voltage : DC 12V MAX
4. Environmental :
 - 4-1. Operation Temperature : -40 °C~85°C

| | | | | | | | | | | | |
|--|------------|-------|-------|-----|--|---|----------|------------------------|---------|--------|---------|
| DRAWN | Emily Suen | APP'D | UNIT | mm | TOLERANCE | | TITLE | POWER DIN 8PIN(F) PLUG | | | SHEET |
| CHK'D | | | SCALE | 1:1 | x ±0.20 xx ±0.10 xxx ±0.05 xxxx ±0.03 ANGULA ±1° | | PART NO. | PD-08F2-01 | DWG NO. | QC2056 | VERSION |
| www.allconnectors.de TEL: 0049 711 3309503 30704 Ellerdorfstr. - Germany | | | | | | info@allconnectors.de Fax: 0049 711 3309504 Kallmannstr. 26 | | | | | |