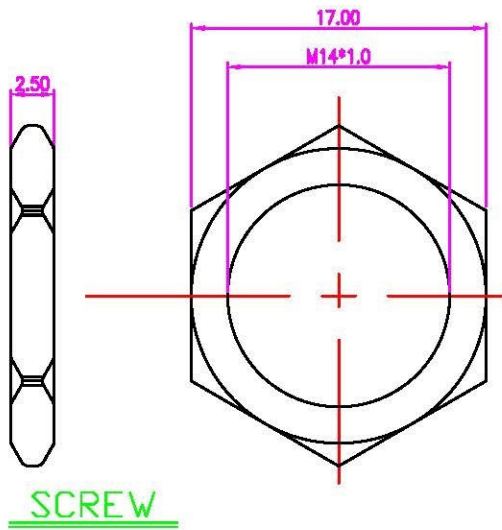
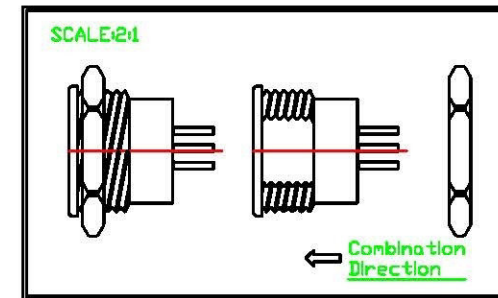
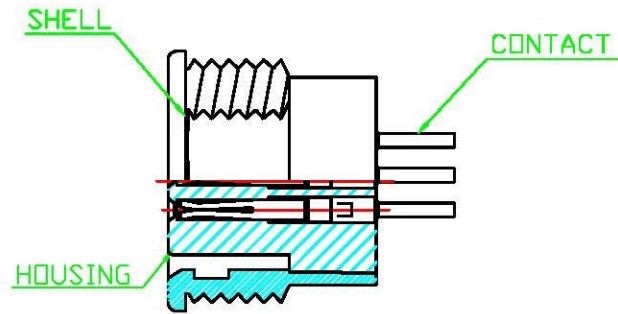
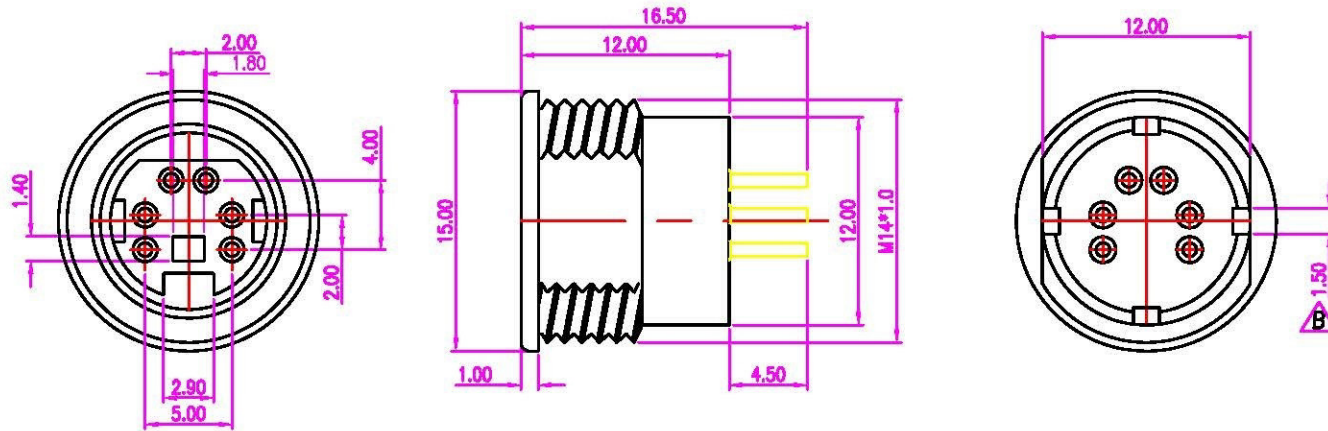


This document is the property of Nian-Yeong Corporation and is delivered on the express condition that it is not to be disclosed, reproduced or used, in whole or in part, for manufacture or sale by anyone other than Nian-Yeong Corporation without its prior consent, and that no right is granted to disclose or to use any information in this document.

CUSTOMER DRAWING

REV.	DESCRIPTION	APPL. BY	DATE	ECN NO.
A	RELEASE	Fido Wang	16/03/08	
B	增加打蓋	Emily Suen	02/05/12	ECN12007
C				



1. MATERIAL :
 - 1-1. HOUSING : PBT UL94V-0 ; COLOR : BLACK
 - 1-2. CONTACT : PHOSPHOR BRONZE
 - 1-3. SHELL : BRASS
 - 1-4. SCREW : BRASS
2. FINISH :
 - 2-1. CONTACT : GOLD FLASH PLATING OVER NICKEL
 - 2-2. SHELL : NICKEL PLATED 60u" ~ 100u" OVER ALL
 - 2-3. SCREW : NICKEL PLATED 60u" ~ 100u" OVER ALL
3. ELECTRICAL SPECIFICATION :
 - 3-1. RATED CURRENT : 2A
 - 3-2. RATED VOLTAGE : 12V
4. ENVIRONMENTAL :
 - 4-1. OPERATION TEMPERATURE : -20 °C~85°C

DRAW	KU	APPVL	Emily Suen	UNIT	mm	TOLERANCE		www.allconnectors.de Tel: 0049 711 269908 70794ilderstadt - Germany	info@allconnectors.de Fax: 0049 711 269904 Kettenerstr. 25	TITLE	POWER DIN 6(F)LOCK TYPE(ON BOARD)			
CHECK	Emily Suen			SCALE	1:1	.x ±0.20 .1xx ±0.10 .xxx ±0.05 .xxxx ±0.01 ANGULA ±1°				PART NO.	PD-06F5-01	DWG NO.	QC1854	