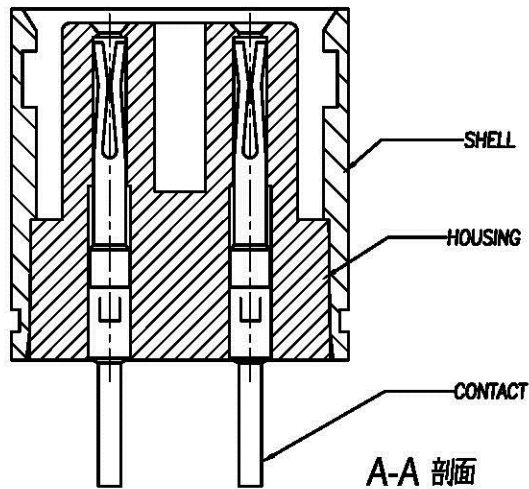
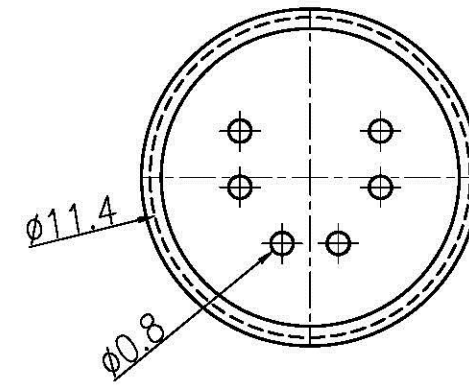
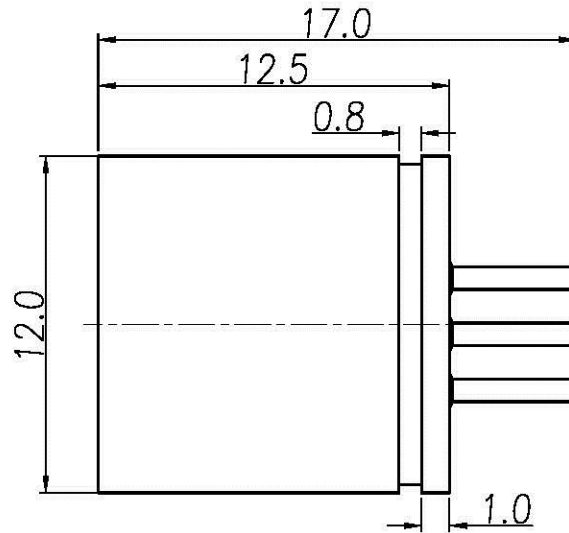
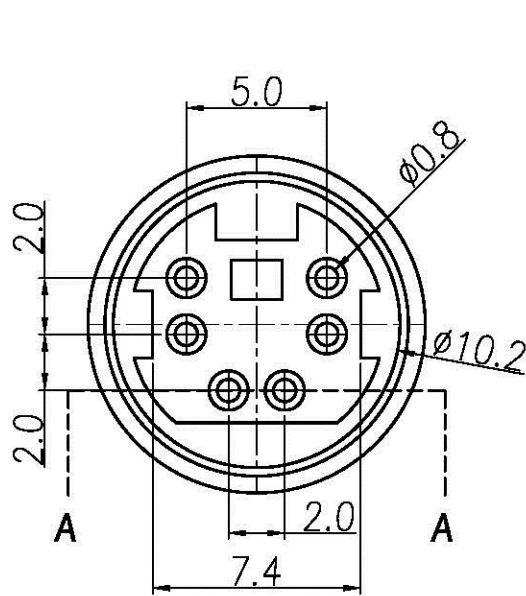


This document is the property of Nan-Yeong Corporation and is delivered on the express condition that it is not to be disclosed, reproduced or used, in whole or in part, for manufacture or sale by anyone other than Nan-Yeong Corporation without its prior consent, and that no right is granted to disclose or to use any information in this document.

CUSTOMER DRAWING

REV.	DESCRIPTION	APPROVED BY	DATE	ECN NO.
A	RELEASE	Fido Veng	22/12/08	
B				
C				



- MATERIAL :
 - HOUSING : PBT+15%GF ; COLOR : BLACK
 - CONTACT : PHOSPHOR BRONZE
 - SHELL: BRASS
- FINISH :
 - CONTACT : GOLD FLASH
 - SHELL : NICKEL PLATED 100u" OVER ALL

DRAWN	APP'D	UNIT	FR	TOLERANCE	All Connectors		TITLE	POWER DIN 6(F)LOCK TYPE			SHEET	
CHK'D		SCALE	1:1	X ±0.20 XX ±0.10 XXX ±0.05 XXXX ±0.03 ANGULA ±1°		www.allconnectors.de Tel: 0840 /11 700500 70754 Flörsbachtal / Germany	Info@allconnectors.de Fax: 0840 /11 700504 Kottenheimer, 25	PART NO.	PD-06F1-01	DWG NO.	QC1695A	 VERSION A