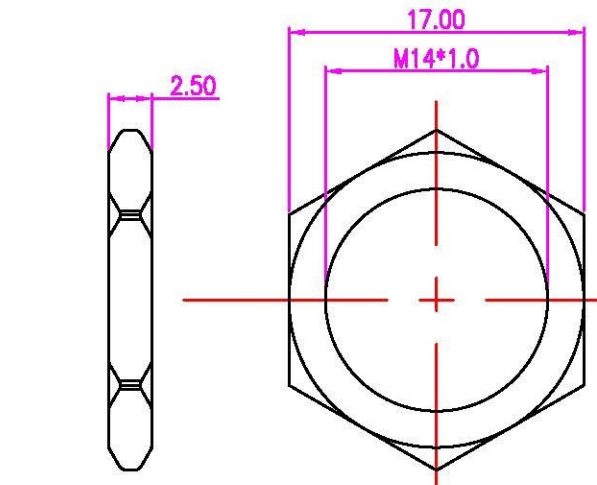
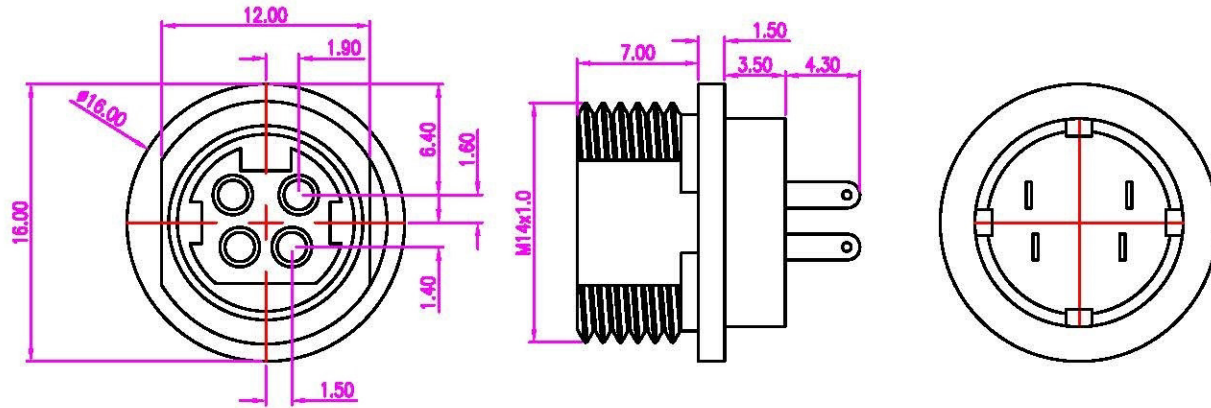


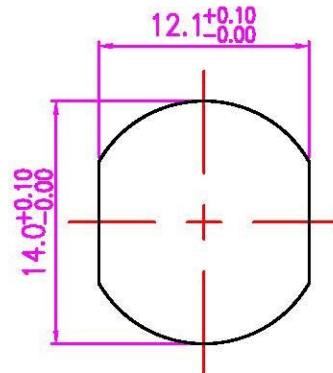
This document is the property of Nian-Yeong Corporation and is delivered on the express condition that it is not to be disclosed, reproduced or used, in whole or in part, for manufacture or sale by anyone other than Nian-Yeong Corporation without its prior consent, and that no right is granted to disclose or to use any information in this document.

CUSTOMER DRAWING

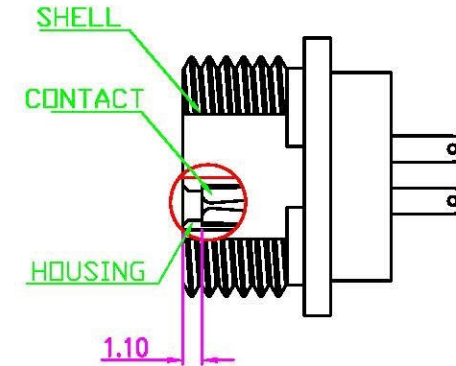
REV.	DESCRIPTION	APPL. BY	DATE	ECN NO.
A				
B				
C				



SCREW



RECOMMENDPANEL CUT-OUT



- MATERIAL :
 - HOUSING : PBT UL94V-0 ; COLOR : BLACK
 - CONTACT : PHOSPHOR BRONZE
 - SHELL : BRASS
 - SCREW : BRASS
- FINISH :
 - CONTACT : TIN PLATING OVER NICKEL
 - SHELL : NICKEL PLATED 80u" ~ 100u" OVER ALL
 - SCREW : NICKEL PLATED 80u" ~ 100u" OVER ALL
- ELECTRICAL SPECIFICATION :
 - RATED CURRENT : 7.5A/DC MAX
 - RATED VOLTAGE : 25V/DC MAX
- ENVIRONMENTAL :
 - OPERATION TEMPERATURE : -20 °C~85°C

DRAW	KU	APPVL	Emily Suen	UNIT	mm	TOLERANCE		www.allconnectors.de Tel: 0049 714 7079501 75794 Filderstadt - Germany	info@allconnectors.de Fax: 0049 714 7079504 Ketteimerstr. 25	TITLE	POWER DIN 4P(F)			SHEET
CHECK	Emily Suen			SCALE	1:1	.x ±0.20 .1xx ±0.10 .xxx ±0.05 .xxxx ±0.01 ANGULA ±1°				PART NO.	PD-04F2-17-11	DWG NO.	QC6544	VERSION