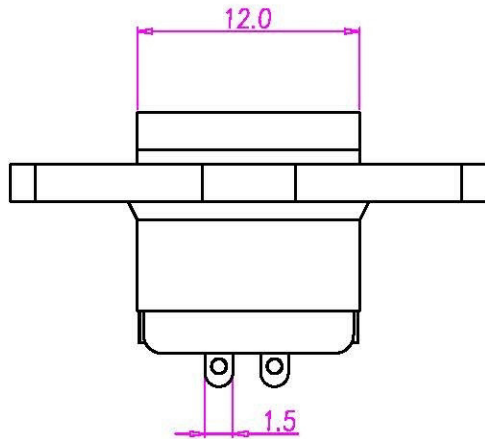
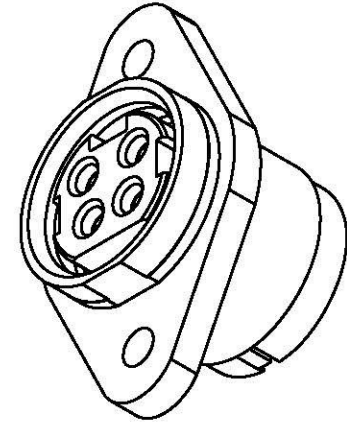
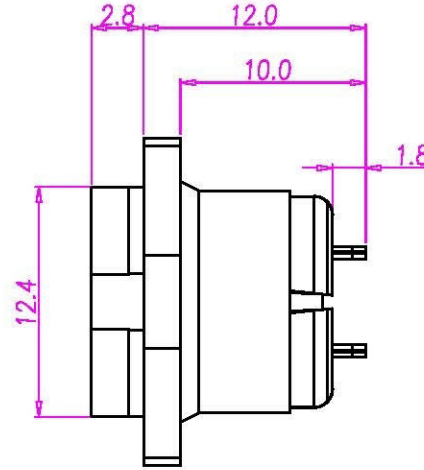
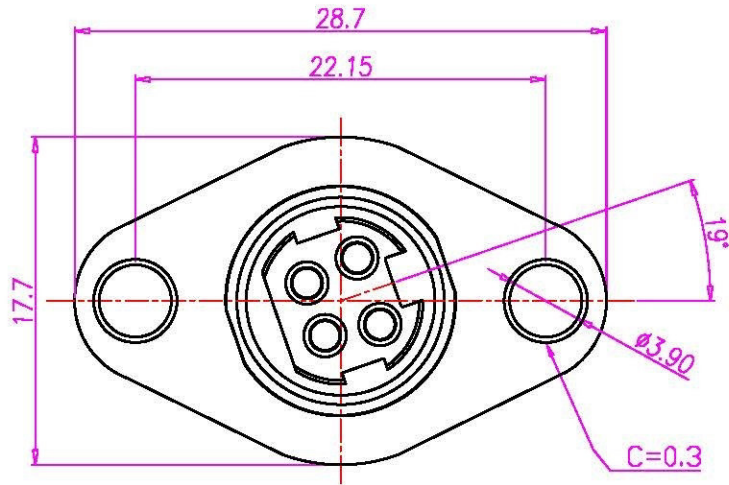


This document is the property of Nian-Yeong Corporation and is delivered on the express condition that it is not to be disclosed, reproduced or used, in whole or in part, for manufacture or sale by anyone other than Nian-Yeong Corporation without its prior consent, and that no right is granted to disclose or to use any information in this document.

# CUSTOMER DRAWING

REV.	DESCRIPTION	APPR. BY	DATE	ECN NO.
A	RELEASE	Fido Weng	12/11/08*	ECN09178
B				
C				



**NOTE:**

**1.MATERIAL:**

- 1-1. HOUSING : PBT UL94V-0 ; COLOR : BLACK
- 1-2. CONTACT : PHOSPHOR BRONZE
- 1-3. SHELL : BRASS

**2.PLATING:**

- 2-1. CONTACT : TIN PLATED 60u" OVER NICKEL
- 2-2. SHELL : NICKEL PLATED 60u" ~ 100u" OVER ALL

**3.ELETRICAL SPECICATION :**

- 3-1. RATED CURRENT : 7.5A/DC MAX
- 3-2. RATED VOLTAGE : 25V/DC MAX

**4. ENVIRONMENTAL :**

- 4-1. OPERATION TEMPERATURE : -20 ℃~85℃

DRAW	Ku Chou	APP'D	Fido Weng	UNIT	mm	TOLERANCE		TITLE	POWER DIN SOCKET 4PIN(F)(ROTATE 19度)			SHEET
CHECK	Emily Suen			SCALE	1:1	.x ±0.20 .1x ±0.15 .1xx ±0.10 .1xxx ±0.05 ANGULA ±1°		www.allconnectors.de info@allconnectors.de 40740 Hildesheim - Germany	PART NO.	PD-04F2-14	DWG NO.	QC4512