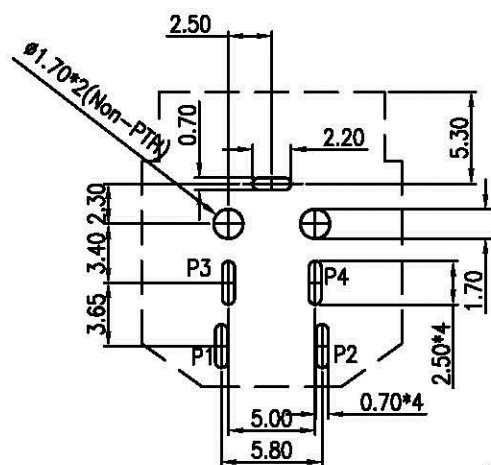
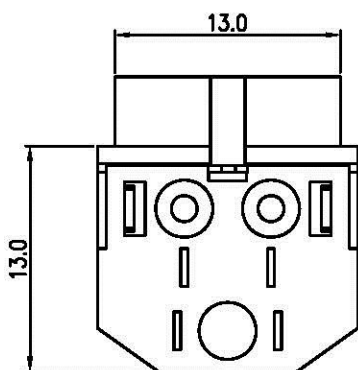
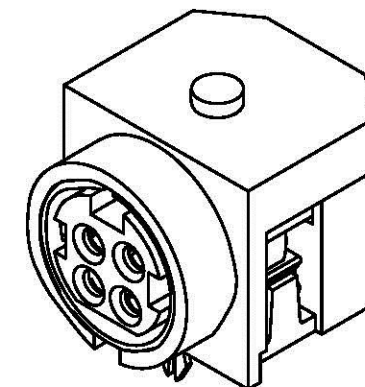
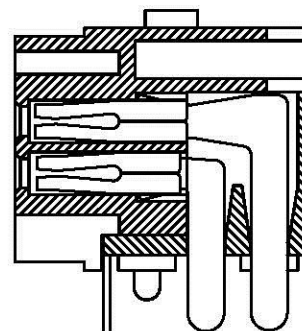
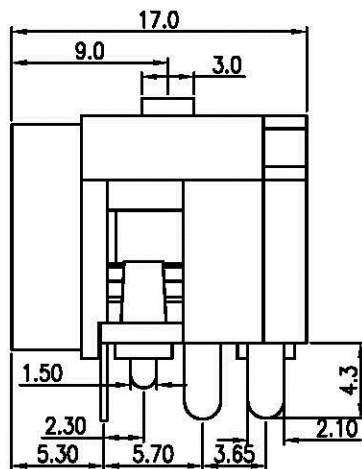
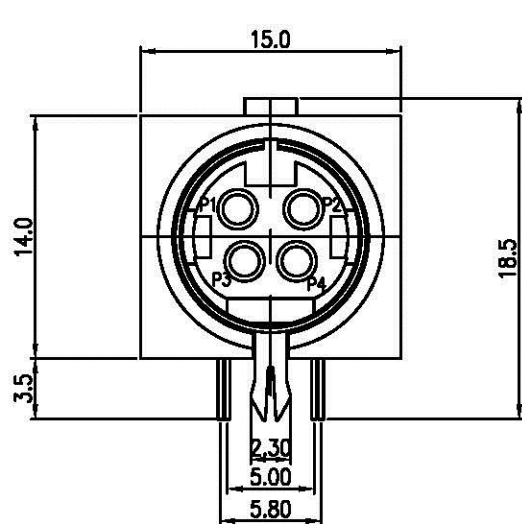


This document is the property of Nian-Yeong Corporation and is delivered on the express condition that it is not to be disclosed, reproduced or used, in whole or in part, for manufacture or sale by anyone other than Nian-Yeong Corporation without its prior consent, and that no right is granted to disclose or to use any information in this document.

CUSTOMER DRAWING

REV.	DESCRIPTION	APPL. BY	DATE	ECN NO.
A	RELEASE	FDD WENG	30/03/08	S-09018
B	REVISION	FDD WENG	28/04/08	BCN09074
C				



HOLE LAYOUT (BOTTOM VIEW)

TABLE A

P/N	DESCRIPTION	MATERIAL
PD-04F2-13	PowerDin 4(F) 插接器	LCP
PD-04F2-08	PowerDin 4(F) 插接器	PBT

- MATERIAL :
 - HOUSING : SEE TABLE A
 - CONTACT : PHOSPHOR BRONZE
 - GROUND : BRASS
- FINISH :
 - CONTACT : SILVER PLATING OVER NICKEL
 - GROUND : NICKEL PLATED OVER ALL
- ELECTRICAL SPECIFICATION :
 - RATED CURRENT : 7.5A/DC MAX
 - RATED VOLTAGE : 20V/DC MAX
- ENVIRONMENTAL :
 - OPERATION TEMPERATURE : -20 °C~85°C

DRAW	繪圖	APPL.	Emily Suen	UNIT	mm	TOLERANCE	All Connectors		TITLE	PowerDin 4(F) 插接器	SHEET			
CHECK	Emily Suen			SCALE	1:1	.x ±0.25 .1x ±0.15 .05x ±0.05 .02x ±0.03 ANGULA ±1°		www.allconnectors.de Tel: 0049 711 7009502 70794 Filzschach Germany	PART NO.	SEE TABLE A	DWG NO.	QC1158	VERSION	B