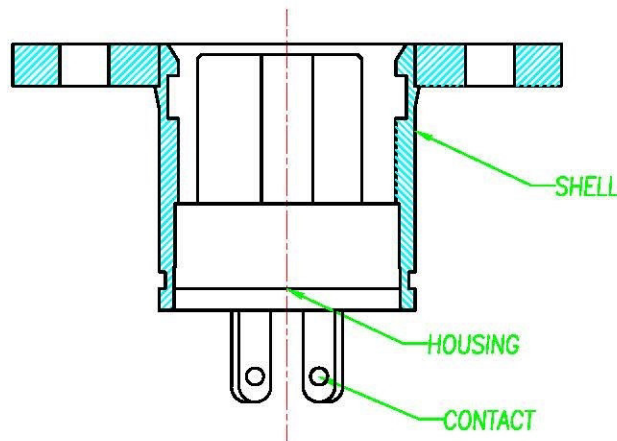
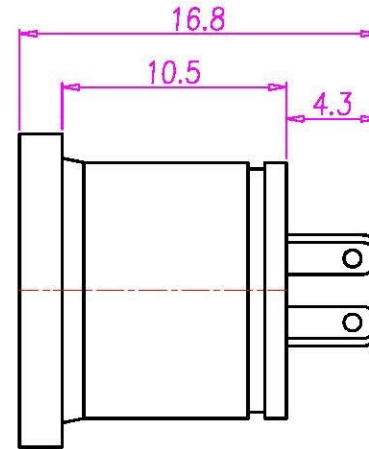
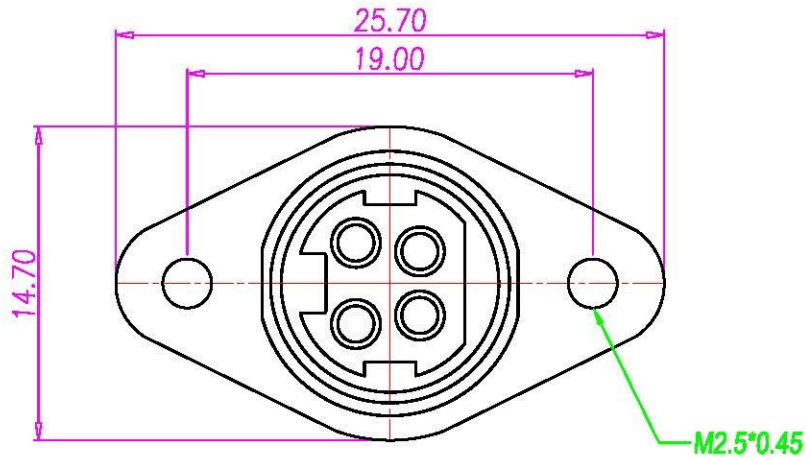


This document is the property of Nian-Yeong Corporation and is delivered on the express condition that it is not to be disclosed, reproduced or used, in whole or in part, for manufacture or sale by anyone other than Nian-Yeong Corporation without its prior consent, and that no right is granted to disclose or to use any information in this document.

CUSTOMER DRAWING

REV.	DESCRIPTION	APPV. BY	DATE	ECN NO.
A	RELEASE	Fido Wang	13/04/09*	
B				
C				



NOTE:

- 1.MATERIAL:
 - 1-1. HOUSING : PBT UL94V-0 ; COLOR : BLACK
 - 1-2. CONTACT : BRASS
 - 1-3. SHELL : BRASS
- 2.PLATING:
 - 2-1. CONTACT : TIN PLATED 60u" OVER NICKEL
 - 2-2. SHELL : NICKEL PLATED 60u" ~ 100u" OVER ALL
- 3.ELETRICAL SPECICATION :
 - 3-1. RATED CURRENT : 7.5A/DC MAX
 - 3-2. RATED VOLTAGE : 25V/DC MAX
4. ENVIRONMENTAL :
 - 4-1. OPERATION TEMPERATURE : -20 ℃~85℃

DRAW	KU	APPV.	UNIT	mm	TOLERANCE		TITLE	POWER DIN 4(F) SOCKET (Rotate 90°)		SHEET
CHECK			SCALE	1:1	.X ±0.20 .Jxx ±0.15 .Jxxx ±0.10 .Jxxxx ±0.05 ANGULA ±1°		PART NO. PD-04F2-12 DWG NO. QC4190	VERSION A		

All Connectors
 www.allconnectors.de
 Tel: +9010 711 7002800
 Fax: +9010 711 7002901
 info@allconnectors.de
 Kette merzler, GbR