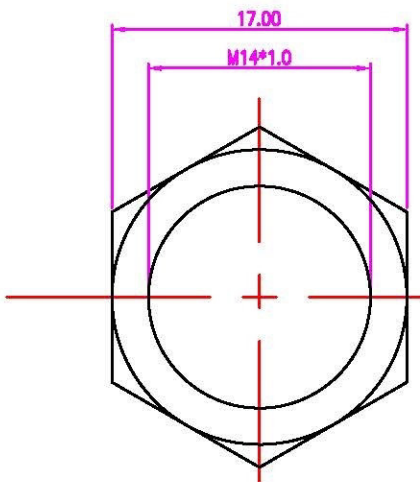
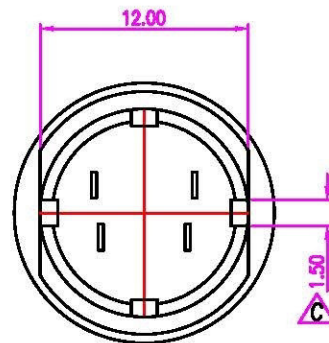
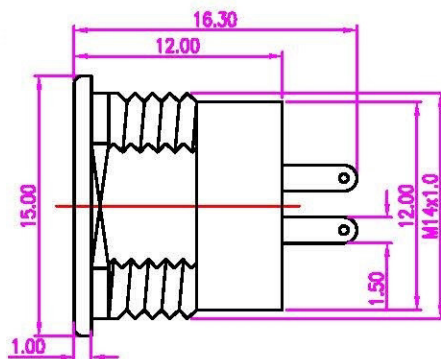
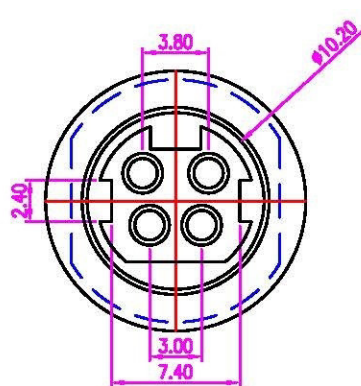


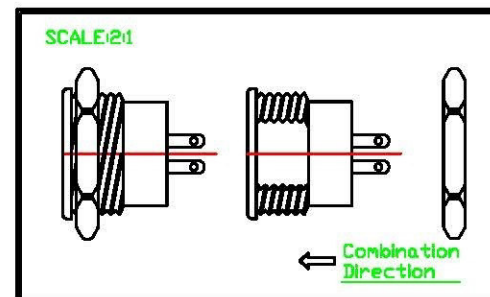
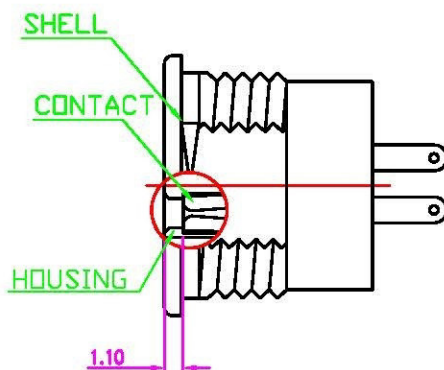
This document is the property of Nian-Yeong Corporation and is delivered on the express condition that it is not to be disclosed, reproduced or used, in whole or in part, for manufacture or sale by anyone other than Nian-Yeong Corporation without its prior consent, and that no right is granted to disclose or to use any information in this document.

# CUSTOMER DRAWING

REV.	DESCRIPTION	APPV. BY	DATE	ECN NO.
A	Release	Fido Wang	27/03/08*	ECN09051
B	Change DIM.	Emily Suen	14/08/11*	
C	新增圖	Emily Suen	02/05/12*	ECN12007



SCREW



- MATERIAL :
  - HOUSING : PBT UL94V-0 ; COLOR : BLACK
  - CONTACT : PHOSPHOR BRONZE
  - SHELL : BRASS
  - SCREW : BRASS
- FINISH :
  - CONTACT : TIN PLATING OVER NICKEL
  - SHELL : NICKEL PLATED 80u" ~ 100u" OVER ALL
  - SCREW : NICKEL PLATED 80u" ~ 100u" OVER ALL
- ELECTRICAL SPECIFICATION :
  - RATED CURRENT : 7.5A/DC MAX
  - RATED VOLTAGE : 25V/DC MAX
- ENVIRONMENTAL :
  - OPERATION TEMPERATURE : -20 °C~85°C

DRAW	KU	APPV.	Emily Suen	UNIT	mm	TOLERANCE	.x ±0.20 .0x ±0.10 .00xx ±0.05 .000xx ±0.01 ANGULA ±1°	SCALE	1:1	ALL CONNECTORS	TITLE	POWER DIN 4P 新增圖			SHEET	1	
CHECK	Emily Suen									www.allconnectors.com Tel: +86 755 711 7095503 70794 Hildebrandt - Germany	info@allconnectors.com Fax: +86 755 711 7095504 Hildebrandt, 25	PART NO.	PD-04F2-04	DWG NO.	QC1734	VERSION	C