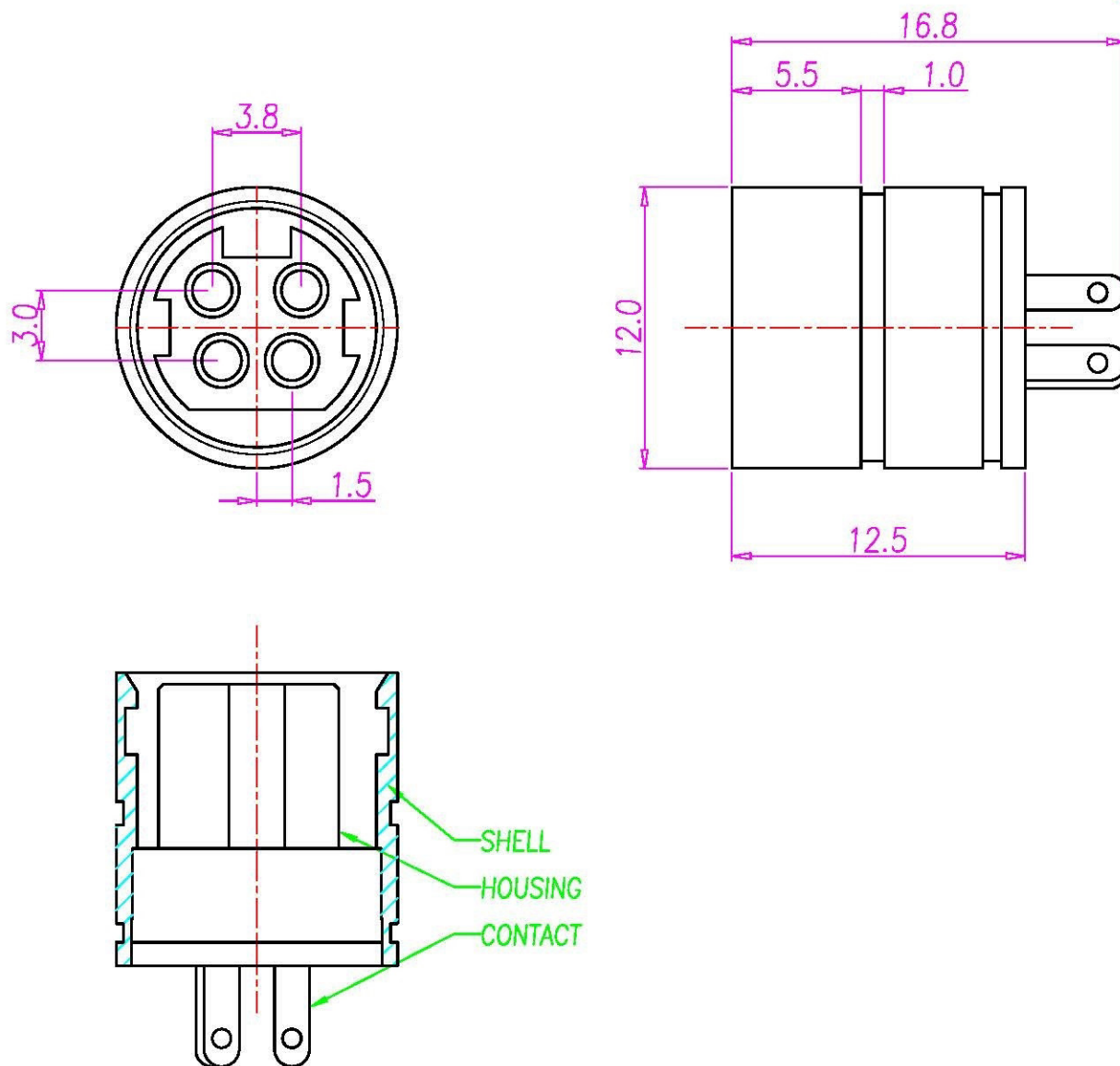


This document is the property of Nian-Yeong Corporation and is delivered on the express condition that it is not to be disclosed, reproduced or used, in whole or in part, for manufacture or sale by anyone other than Nian-Yeong Corporation without its prior consent, and that no right is granted to disclose or to use any information in this document.

# CUSTOMER DRAWING

REV.	DESCRIPTION	APPL. BY	DATE	ECN NO.
A	RELEASE	Fido Weng	12/03/10*	
B				
C				



**NOTE:**

1. MATERIAL:
  - 1-1. HOUSING : PBT UL94V-0 ; COLOR : BLACK
  - 1-2. CONTACT : PHOSPHOR BRONZE
  - 1-3. SHELL : BRASS
2. PLATING:
  - 2-1. CONTACT : TIN PLATED .
  - 2-2. SHELL : NICKEL PLATED.
3. ELECTRICAL SPECIFICATION :
  - 3-1. RATED CURRENT : 7.5A/DC MAX
  - 3-2. RATED VOLTAGE : 25V/DC MAX
4. ENVIRONMENTAL :
  - 4-1. OPERATION TEMPERATURE : -20 °C~85°C

DRAW	Ku Chou	APPVL	Fido Weng	UNIT	mm	TOLERANCE		TITLE	PowerDin 4(F)主體(銅管加殼槽)		SHEET		
CHECK	Emily Suen			SCALE	1:1	.x ±0.20 .1x ±0.15 .10x ±0.10 .00xx ±0.05 ANGULA ±1°		www.allconnectors.de TEL: 0049 701 200150 73754 Fildorferstr. 1 Germany info@allconnectors.de FAX: 0049 701 200151 Kettestr. 25	PART NO.	PD-04F1-05	DWG NO.		QC4671