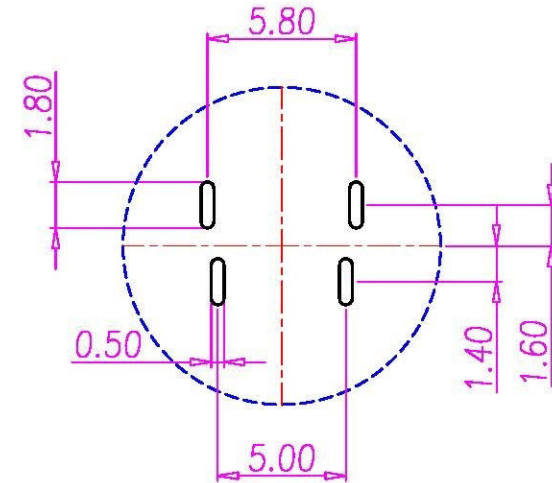
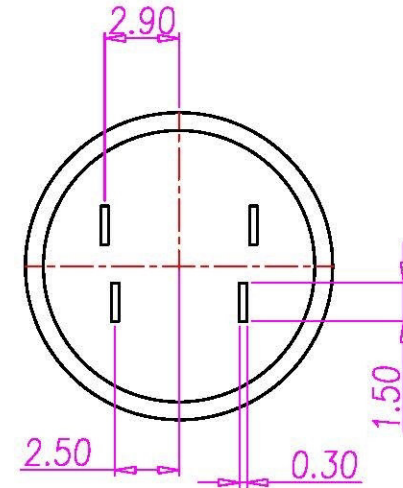
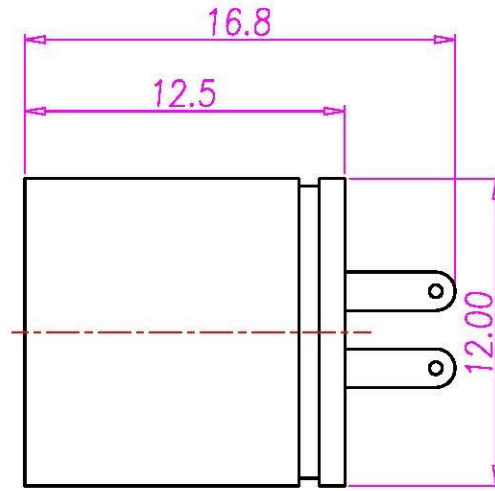
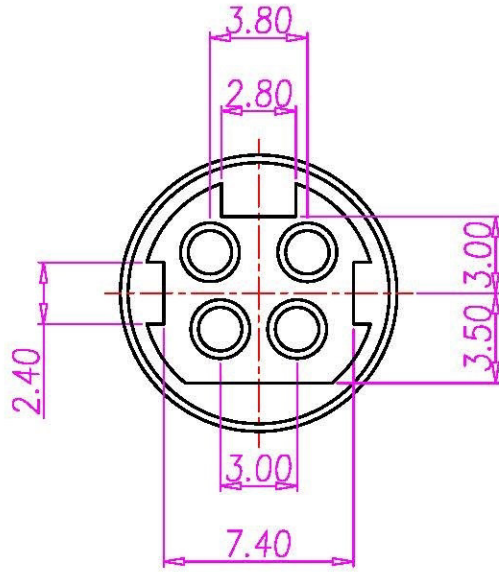


This document is the property of Nian-Yeong Corporation and is delivered on the express condition that it is not to be disclosed, reproduced or used, in whole or in part, for manufacture or sale by anyone other than Nian-Yeong Corporation without its prior consent, and that no right is granted to disclose or to use any information in this document.

# CUSTOMER DRAWING

REV.	DESCRIPTION	APPV. BY	DATE	ECN NO.
A	RELEASE	Fido Wong	06/02/08	
B				
C				



**NOTE:**

**1.MATERIAL:**

- 1-1. HOUSING : PBT UL94V-0 ; COLOR : BLACK
- 1-2. CONTACT : COPPER ALLOY
- 1-3. SHELL : COPPER ALLOY

**2.PLATING:**

- 2-1.CONTACT : TIN PLATED 60u" OVER NICKEL
- 2-2. SHELL : NICKEL PLATED 60u" ~ 100u" OVER ALL

Recommend P.C.B Layout.

DRAW	Jen Xie	APPV.	Fido Wong	UNIT	mm	TOLERANCE			TITLE	POWER DIN 4PIN (F) LOCK			SHEET	
CHECK	Emily Suen			SCALE	1:1				www.allconnectors.de TEL:0049 711 709503 70754 Filzcontact - Germany	info@allconnectors.de fax:0049 711 709504 kettenstr. 25	PART NO.	PD-04F1-02	DWG NO.	