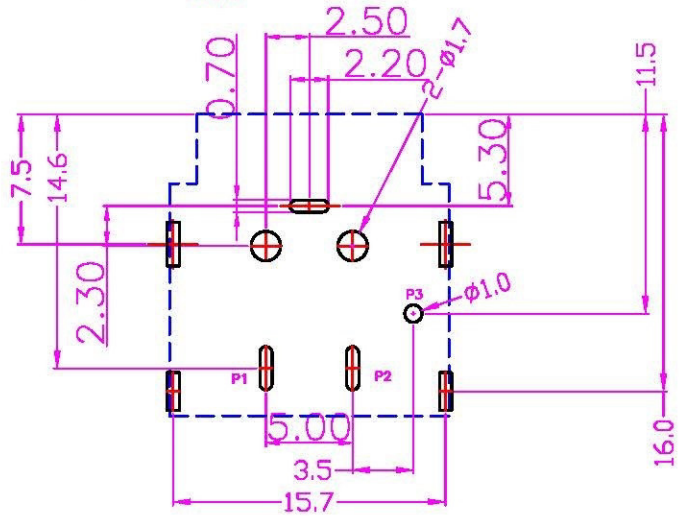
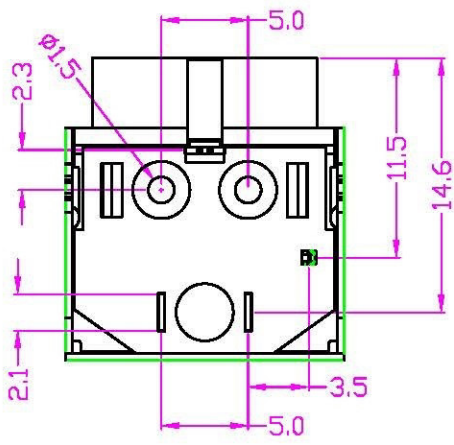
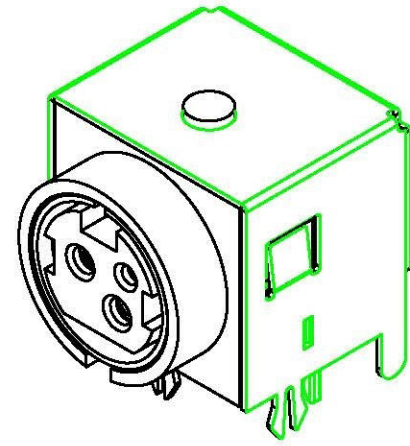
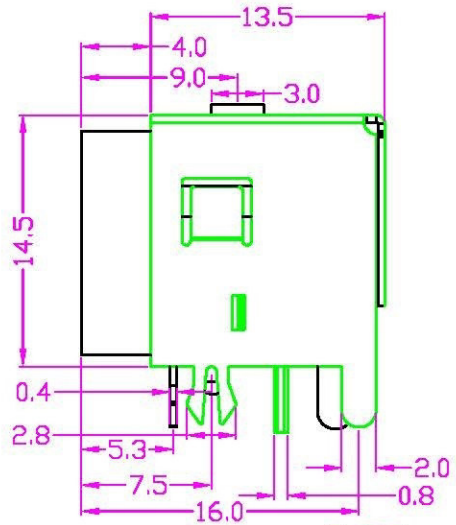
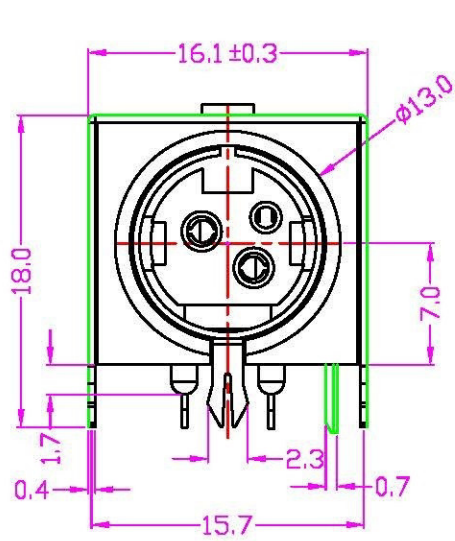


This document is the property of Nian-Yeong Corporation and is delivered on the express condition that it is not to be disclosed, reproduced or used, in whole or in part, for manufacture or sale by anyone other than Nian-Yeong Corporation without its prior consent, and that no right is granted to disclose or to use any information in this document.

CUSTOMER DRAWING

| REV. | DESCRIPTION | APPL. BY | DATE | ECN NO. |
|------|-------------|------------|----------|---------|
| A | RELEASE | Emily Suen | 09/03/12 | |
| B | | | | |
| C | | | | |



- MATERIAL :**
 - 1-1. HOUSING : SEE TABLE A
 - 1-2. CONTACT : PHOSPHOR BRONZE
 - 1-3. GROUND : BRASS
 - 1-4. SHELL : SPCC
- FINISH :**
 - 2-1. CONTACT : Silver 0.1um (min).
 - 2-2. GROUND : Nickel 2um (min).
 - 2-3. SHELL : Bright Tin 2um (min).
- ELETRICAL SPECICATION :**
 - 3-1. RATED CURRENT : PIN1 & PIN2 : 7.5A ,PIN3 : 1A
 - 3-2. RATED VOLTAGE : 24V/DC MAX
- ENVIRONMENTAL :**
 - 4-1. OPERATION TEMPERATURE : -20 ℃~85℃

Recommend P.C.B Layout
(BOTTOM VIEW)

TABLE A

| | |
|------------|----------|
| PD-03F4-03 | LCP |
| PD-03F4-02 | PBT |
| P/N | MATERIAL |