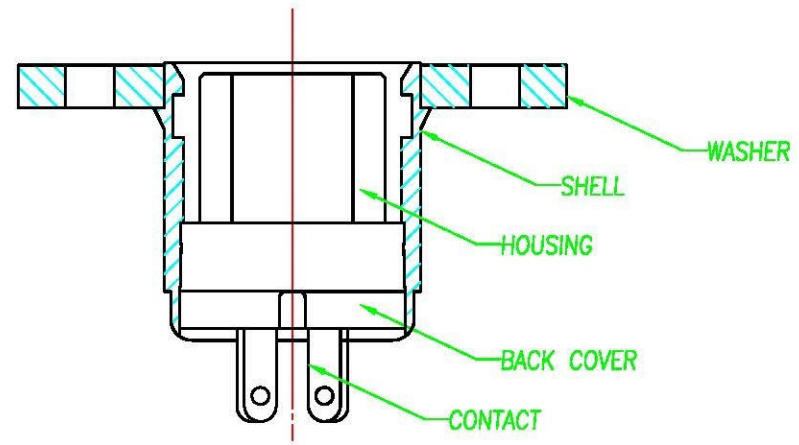
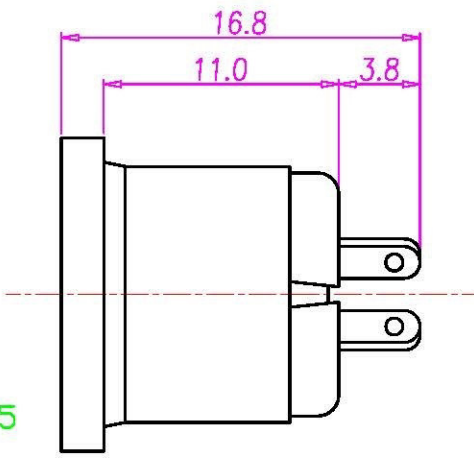
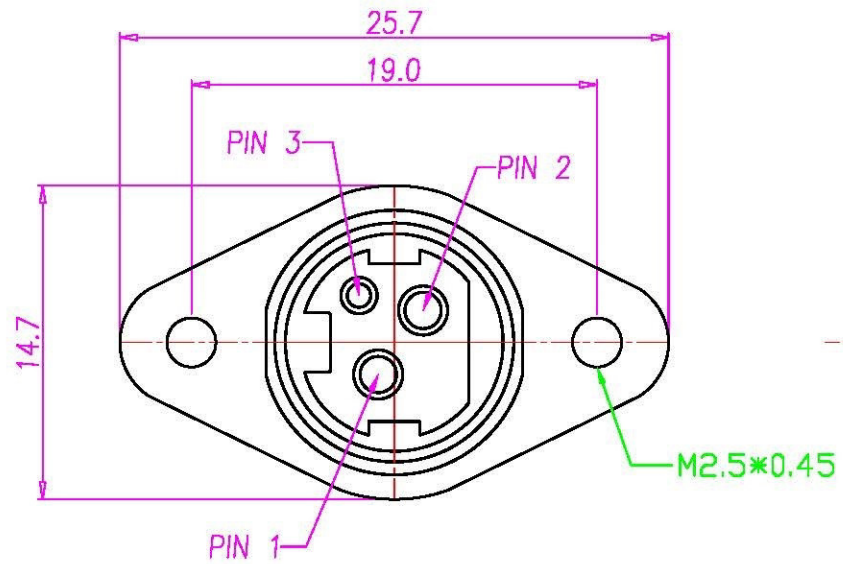


This document is the property of Nian-Yeong Corporation and is delivered on the express condition that it is not to be disclosed, reproduced or used, in whole or in part, for manufacture or sale by anyone other than Nian-Yeong Corporation without its prior consent, and that no right is granted to disclose or to use any information in this document.

CUSTOMER DRAWING

REV.	DESCRIPTION	APPL. BY	DATE	ECN NO.
A	RELEASE	Fido Weng	10/09/08	ECN09049
B				
C				



NOTE:

1. MATERIAL:
 - 1-1. HOUSING : PBT UL94V-0 ; COLOR : BLACK
 - 1-2. CONTACT : PHOSPHOR BRONZE
 - 1-3. SHELL : BRASS
 - 1-4. BACK COVER : PBT UL94V-0 ; COLOR : BLACK
 - 1-5. WASHER : BRASS
2. PLATING:
 - 2-1. CONTACT : TIN PLATED 60u" OVER NICKEL
 - 2-2. SHELL : NICKEL PLATED 60u" ~ 100u" OVER ALL
3. ELETRICAL SPECICATION :
 - 3-1. RATED CURRENT : 7.5A/DC MAX
 - 3-2. RATED VOLTAGE : 25V/DC MAX
4. ENVIRONMENTAL :
 - 4-1. OPERATION TEMPERATURE : -20 °C~85°C

DRAW	Ku Chou	APPVL	Fido Weng	UNIT	mm	TOLERANCE		TITLE	POWER DIN SOCKET 3PIN(F)(ROTATE 90°)			SHEET		
CHECK	Emily Suen			SCALE	1:1	.x ±0.20 .1x ±0.15 .00x ±0.10 .000x ±0.05 ANGULA ±1°		www.allconnectors.de TEL: 0049 711 7009508 70291 Hilderstadt - Germany	info@allconnectors.de FAX: 0049 711 7009504 Kettnerstr. 22	PART NO.	PD-03F2-06	DWG NO.	QC4419	VERSION