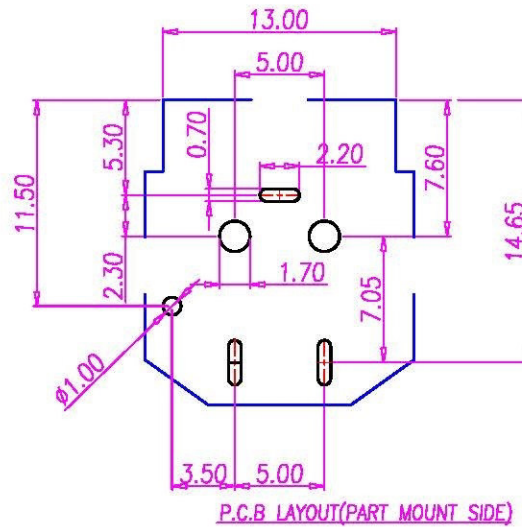
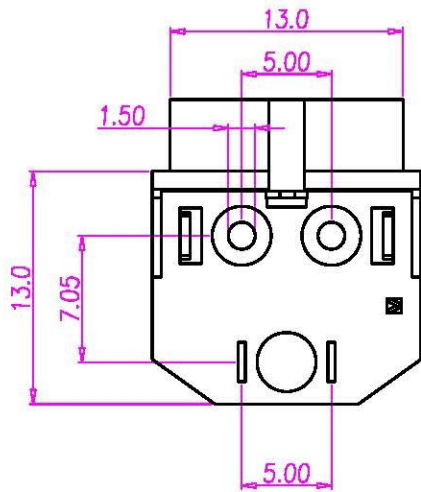
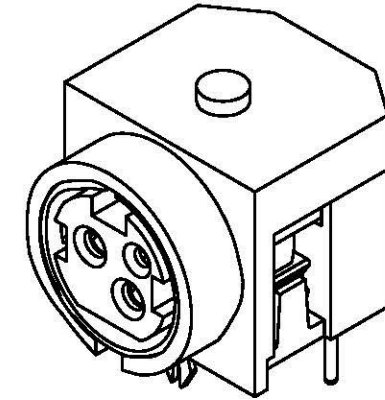
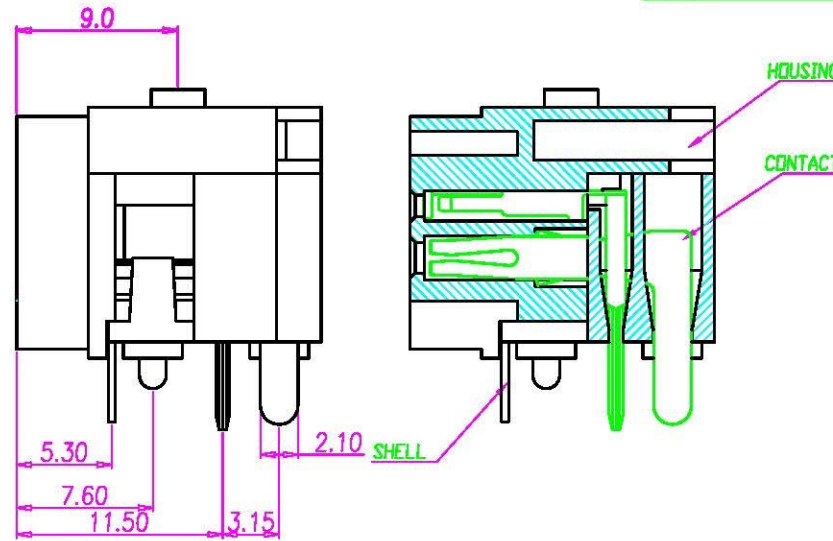
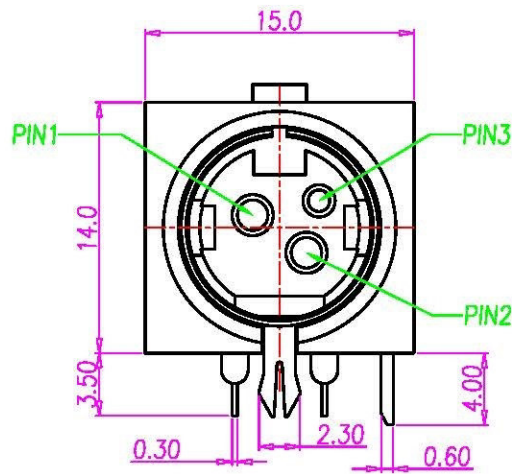


This document is the property of Nan-Yeong Corporation and is delivered on the express condition that it is not to be disclosed, reproduced or used, in whole or in part, for manufacture or sale by anyone other than Nan-Yeong Corporation without its prior consent, and that no right is granted to disclose or to use any information in this document.

CUSTOMER DRAWING

REV.	DESCRIPTION	APPVL. BY	DATE	ECN NO.
A	RELEASE	Fido Veng	24/02/09*	
B	RELEASE	Fido Veng	07/05/10*	
C				



- MATERIAL :
 - HOUSING : SEE TABLE A
 - CONTACT : PHOSPHOR BRONZE
 - SHELL : BRASS
 - BACK COVER : SEE TABLE A
- FINISH :
 - CONTACT : 30 MICRO INCHES MIN. SILVER PLATING OVER NICKEL
 - SHELL : NICKEL PLATED 60u" ~ 100u" OVER ALL
- ELECTRICAL SPECIFICATION :
 - RATED CURRENT : PIN1 & PIN2 : 7.5A
PIN3 : 1A
 - RATED VOLTAGE : 20V DC
- ENVIRONMENTAL :
 - OPERATION TEMPERATURE : -20 °C~85°C

TABLE A

PART NO.	HOUSING & BACK COVER
PD-03F2-01	PBT UL94V-0
PD-03F2-05	LCP UL94V-0

DRAW	Ren Liao	APPVL	Fido Veng	UNIT	mm	TOLERANCE	All connectors		TITLE	PowerDin 3(F) 3 MDIP	SHEET				
CHECK	Enly Sun			SCALE	1:1	X ±0.20 XX ±0.15 XXX ±0.10 XXXX ±0.05 ANGULA ±1°		www.allconnectors.de TEL: 0049 711 2069004 70796 Hilderstraße - Germany	info@allconnectors.de FAX: 0049 711 2069004 KEMMELSTR. 25	PART NO.	SEE TABLE A	DWG NO.	QC0358	VERSION	B