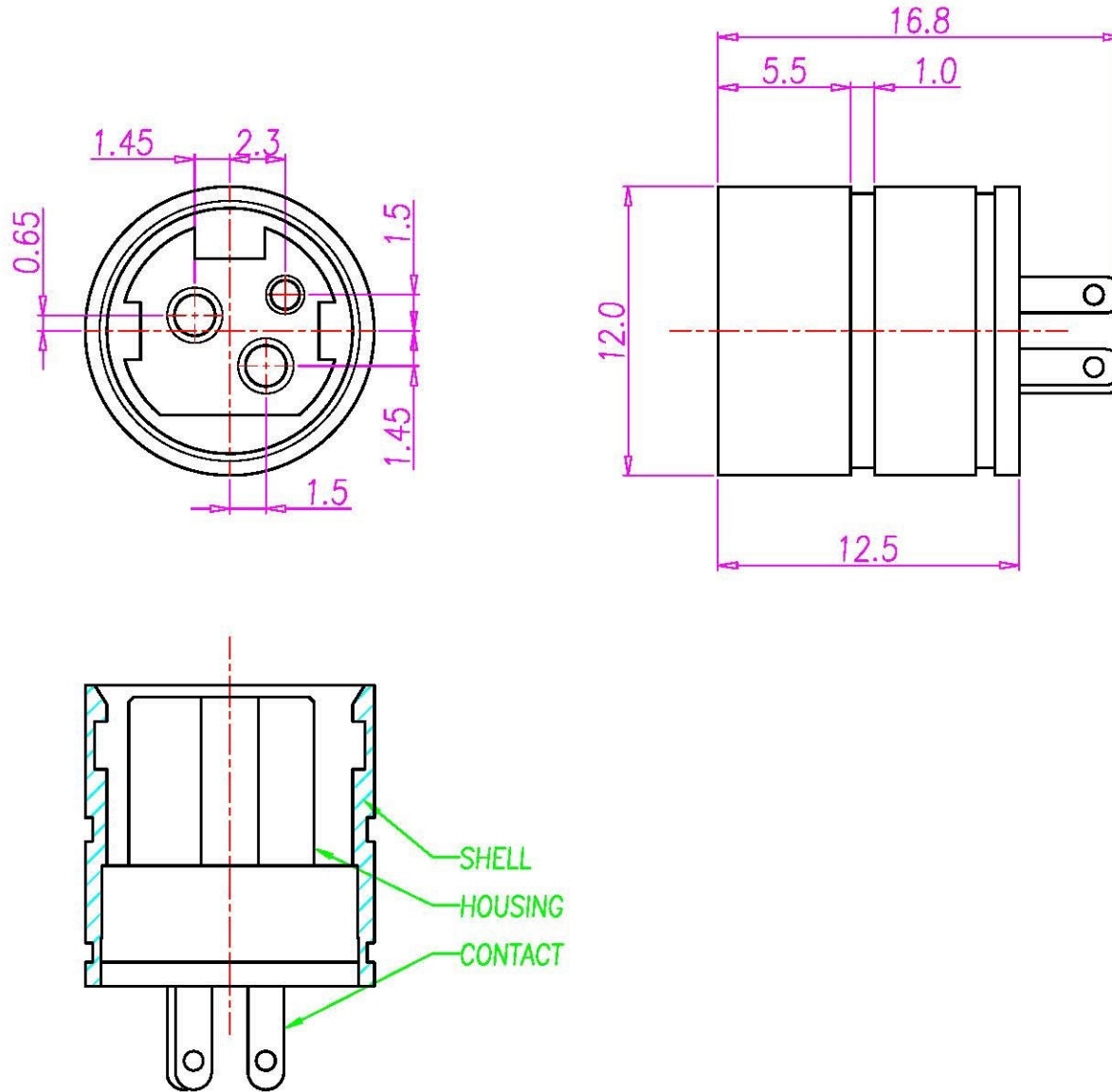


This document is the property of Nian-Yeong Corporation and is delivered on the express condition that it is not to be disclosed, reproduced or used, in whole or in part, for manufacture or sale by anyone other than Nian-Yeong Corporation without its prior consent, and that no right is granted to disclose or to use any information in this document.

CUSTOMER DRAWING

| REV. | DESCRIPTION | APPL. BY | DATE | ECN NO. |
|------|-------------|-----------|----------|---------|
| A | RELEASE | Fido Weng | 12/03/10 | |
| B | | | | |
| C | | | | |



NOTE:

1.MATERIAL:

- 1-1. HOUSING : PBT UL94V-0 ; COLOR : BLACK
- 1-2. CONTACT : PHOSPHOR BRONZE
- 1-3. SHELL : BRASS

2.PLATING:

- 2-1. CONTACT : TIN PLATED .
- 2-2. SHELL : NICKEL PLATED.

3.ELETRICAL SPECIFICATION :

- 3-1. RATED CURRENT : 7.5A/DC MAX
- 3-2. RATED VOLTAGE : 25V/DC MAX

4. ENVIRONMENTAL :

- 4-1. OPERATION TEMPERATURE : -20 ℃~85℃

| | | | | | | | | | | | | | | |
|-------|------------|-------|-----------|-------|-----|--|--|---|--|----------|------------|--|---------|--------|
| DRAW | Ku Chou | APPVL | Fido Weng | UNIT | mm | TOLERANCE | | TITLE | PowerDin 3(F)主體(銅管加磷層) | | SHEET | | | |
| CHECK | Emily Suen | | | SCALE | 1:1 | .x ±0.20 .1x ±0.15 .00x ±0.10 .000x ±0.05 ANGULA ±1° | | www.allconnectors.de Tel.: 0049 711 7005503 70794 Filderstadt - Germany | info@allconnectors.de Fax: 0049 711 7009501 kettenmerstr. 25 | PART NO. | PD-03F1-06 | | DWG NO. | QC4670 |