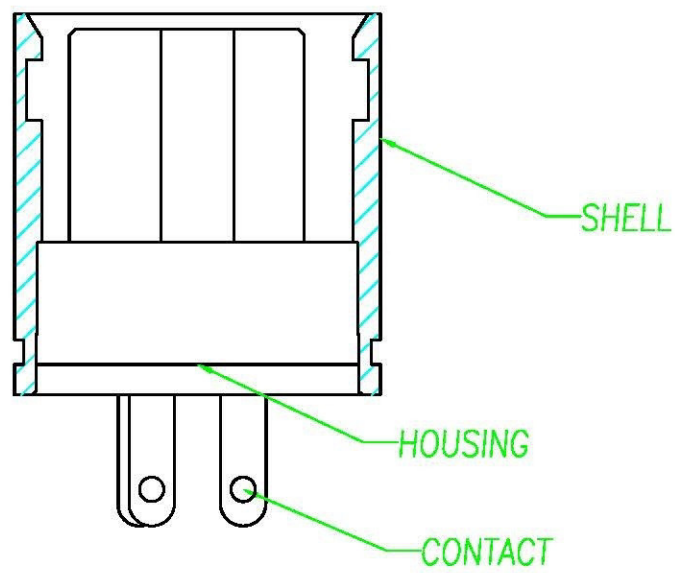
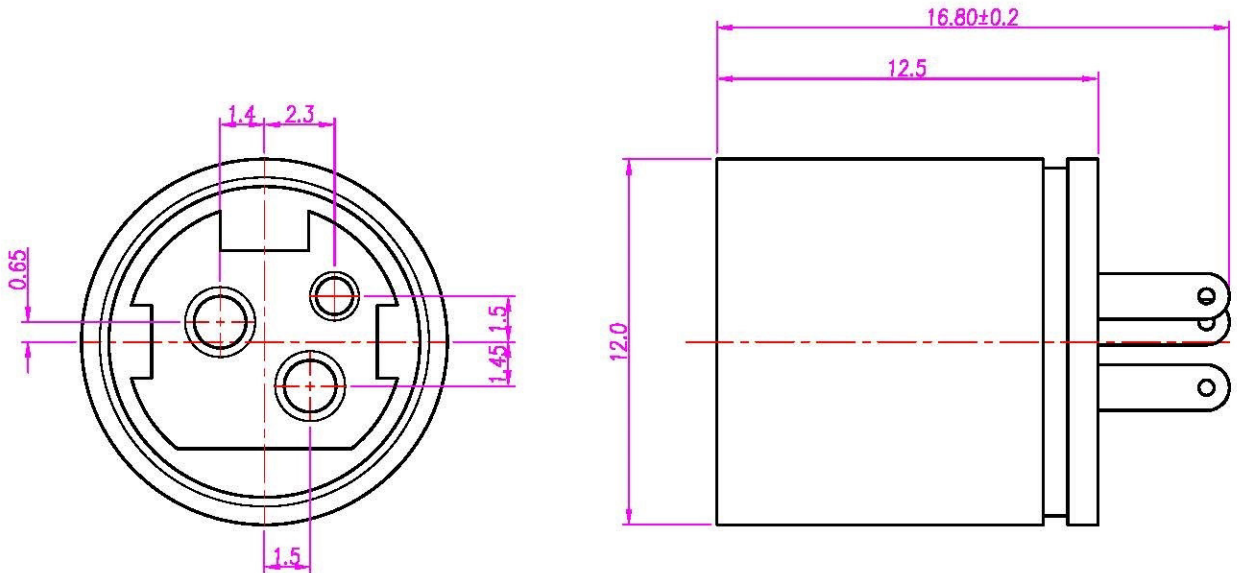


This document is the property of Nian-Yeong Corporation and is delivered on the express condition that it is not to be disclosed, reproduced or used, in whole or in part, for manufacture or sale by anyone other than Nian-Yeong Corporation without its prior consent, and that no right is granted to disclose or to use any information in this document.

CUSTOMER DRAWING

REV.	DESCRIPTION	APPL. BY	DATE	ECN NO.
A	RELEASE	Fido Wang	13/04/08	
B				
C				



NOTE:
1.MATERIAL:
 1-1. HOUSING : PBT UL94V-0 ; COLOR : BLACK
 1-2. CONTACT : PHOSPHOR BRONZE
 1-3. SHELL : BRASS
2.PLATING:
 2-1. CONTACT : TIN PLATED 60u" OVER NICKEL
 2-2. SHELL : NICKEL PLATED 60u" ~ 100u" OVER ALL
3.ELETRICAL SPECIFICATION :
 3-1. RATED CURRENT : 7.5A/DC MAX
 3-2. RATED VOLTAGE : 25V/DC MAX
4. ENVIRONMENTAL :
 4-1. OPERATION TEMPERATURE : -20 ℃~85℃

DRAW	KU	APPVL		UNIT	mm	TOLERANCE			TITLE	POWER DIN 3PIN (F) LOCK			SHEET
CHECK				SCALE	1:1	.x ±0.20 .10x ±0.15 .05x ±0.10 .025x ±0.05 ANGULA ±1°			PART NO.	PD-03F1-02	DWG NO.	QC1814	VERSION
								www.allconnectors.de Tel.: 0049 711 709503 70294 Eilderstadt Germany	info@allconnectors.de Fax: 0049 711 709504 kst@connectors.de				A