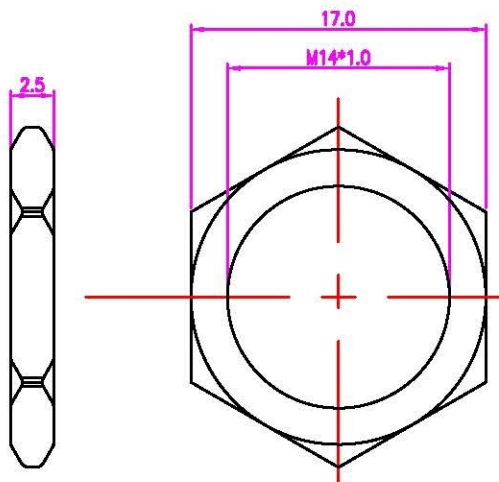
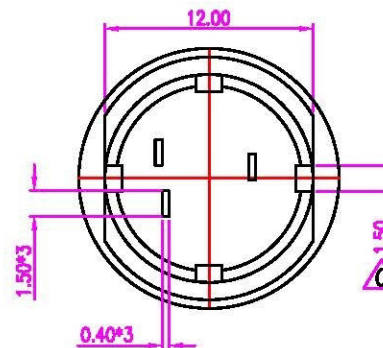
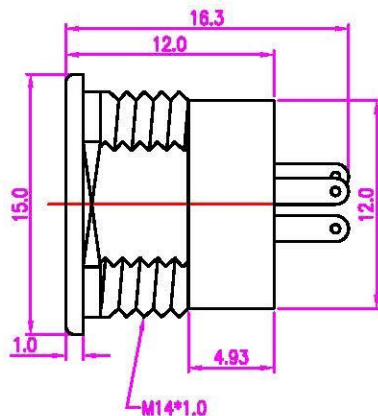
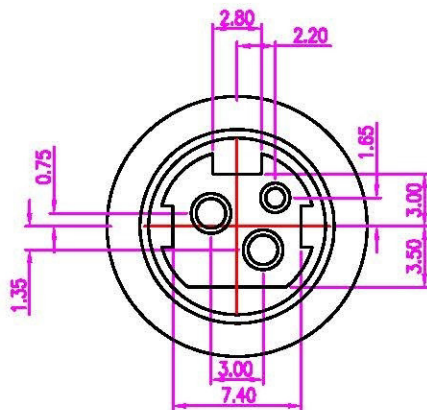


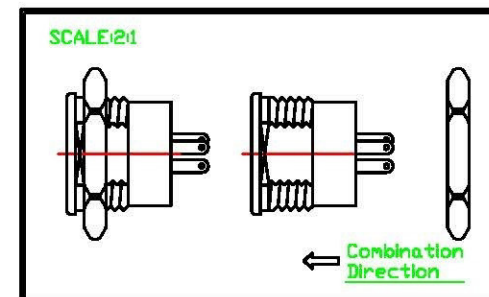
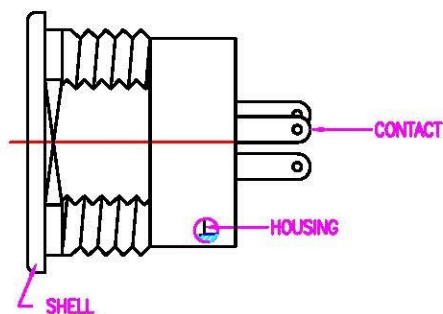
This document is the property of Nian-Yeong Corporation and is delivered on the express condition that it is not to be disclosed, reproduced or used, in whole or in part, for manufacture or sale by anyone other than Nian-Yeong Corporation without its prior consent, and that no right is granted to disclose or to use any information in this document.

CUSTOMER DRAWING

REV.	DESCRIPTION	APPROVED BY	DATE	ECN NO.
A	Release	Fido Wang	27/03/08*	ECN09051
B	MODIFY	Fido Wang	06/08/08*	
C	增加打插	Emily Suen	02/05/12*	ECN12007



SCREW



- MATERIAL :
 - HOUSING : PBT UL94V-0 ; COLOR : BLACK
 - CONTACT : PHOSPHOR BRONZE
 - SHELL : BRASS
 - SCREW : BRASS
- FINISH :
 - CONTACT : TIN PLATING OVER NICKEL
 - SHELL : NICKEL PLATED 80u" ~ 100u" OVER ALL
 - SCREW : NICKEL PLATED 80u" ~ 100u" OVER ALL
- ELECTRICAL SPECIFICATION :
 - RATED CURRENT : 7.5A/DC MAX
 - RATED VOLTAGE : 25V/DC MAX
- ENVIRONMENTAL :
 - OPERATION TEMPERATURE : -20 °C~85°C

DRAWN	Ku	APP'D	Emily Suen	UNIT	mm	TOLERANCE		www.allconnectors.de Tel.: 0049 711 700300 70751 Talerstadt - Germany	info@allconnectors.de Fax: 0049 711 700900 Kettenerstr. 28	TITLE	POWER DIN 3P 插接器			SHEET
CHK'D	Emily Suen			SCALE	1:1	.x ±0.20 .1x ±0.10 .01x ±0.05 .002x ±0.01 ANGULA ±1°				PART NO.	PD-03F1-01	DWG NO.	QC1775	VERSION