

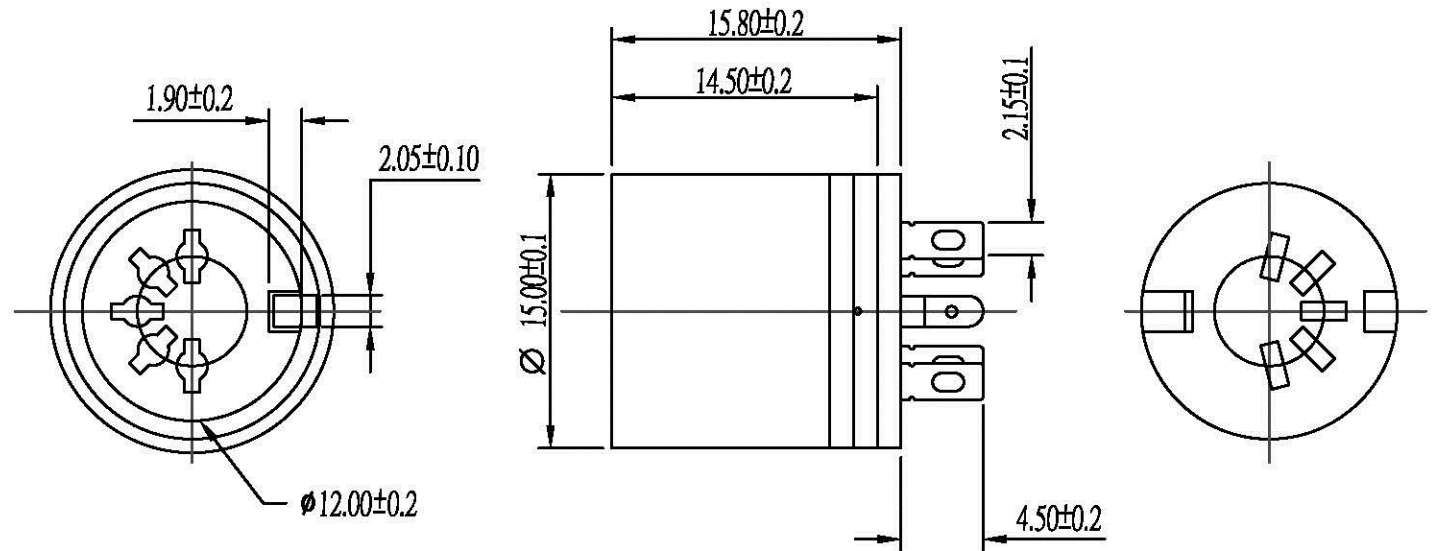
Note:

1.Material:

- 1.1 Insulator: High temperature thermoplastic with g.f,UL94v-0
- 1.2 Contact: Copper alloy,t=0.60mm
- 1.3 Shell: Spcc,t=0.40mm

2.Specification:

- 2.1 Current rating: 1 A Max.
- 2.2 Dielectric withstanding voltage: 750 V(ac) for 1 min.
- 2.3 Contact resistance: 30 mΩ Max.
- 2.4 Insulation resistance: 1000 MΩ Min.
- 2.5 Total mating force: 5.5 Kgf Max.
- 2.6 Total unmating force: 1.0 Kgf Min.
- 2.7 Temperature range: -55°C~85°C



DM-S-xx-LF
LEADFREE

RoHS Compliant

NO.OF CONTACT	3(180°)	4(210°)	5(180°)	6(240°)	7(270°)	8(270°)
PART NO.	DM-S-03	DM-S-04	DM-S-05	DM-S-06	DM-S-07	DM-S-08
POSTTION						

Allconnectors

www.allconnectors.de
Tel.: 0049 711 7009500
70794 Filzbergstr. - Germany

info@allconnectors.de
Fax: 0049 711 7009504
Kellernstr. 25

PART NO. DM-S-xx

DWG NO. DM-S-xx

FILE NO.

UNIT / mm

SCALE 1:1

APPROVED BY CY

DRAWING BY

PROJECTION

TOLERANCES ARE

X ±0.3
XX ±0.2
XXX ±0.1
AWG

DESCRIPTION:

DIN SOLDER TYPE(F)

AREA

REVISIONS

HK

DATE