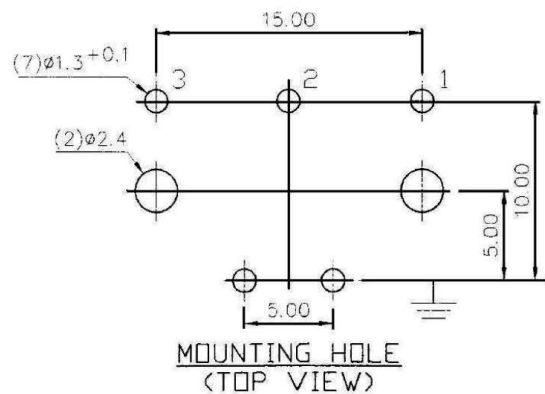


**SPECIFICATIONS:**

1. CONTACT RESISTANCE : 20m OHM MAX.
2. INSULATION RESISTANCE : 100M OHM AT 500V D.C.
3. VOLTAGE WITHSTANDING : AC 500V 1 MINUTE .
4. INSERTION FORCE : 5.0KG MAX.
5. WITHDRAWAL FORCE : 1-3.5 KG
6. LIFE TEST : 5,000 CYCLES MIN. AFTER TESTING, CONTACT RESISTANCE SHALL NOT EXCEED 100m OHM .
7. CURRENT RATING : AC: 100V 2A  
DC: 24V 1A

DJ-S5-03-LF  
LEADFREE  
RoHS Compliant



4.	CONTACTOR	3	BSR-H/2 0.7t	TIN	
3.	PLATE	1	BAKELITE	PL-PEM 1.4t	
2.	EARTH TERMINAL	1	PBSR-H 0.2t	TIN	
1.	BODY	1	P.B.T.		UL94V-0
P/N	PART NAME	Q'TY	MATERIAL	PLATING	REMARKS

**RoHS Compliant**

TOLERANCES ARE

**All Connectors**

DRAWING BY CY

CHECKED BY GENIUS

UNIT / mm

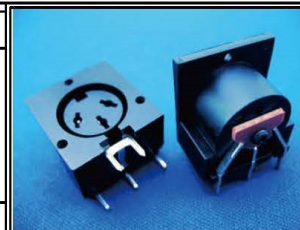
SCALE 1 : 1

DATE

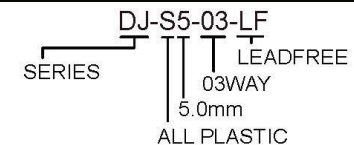
SIZE A4

X ±  
.X ± 0.20  
.XX ±  
.XXX ±  
ANG ±

PPOJECTION



**ORDER INFORMATION**



DESCRIPTION:

www.allconnectors.de  
Tel.: 0049 711 7009503  
70794 Filderstadt - Germany

info@allconnectors.de  
Fax: 0049 711 7009504  
Kettnerstr. 25