

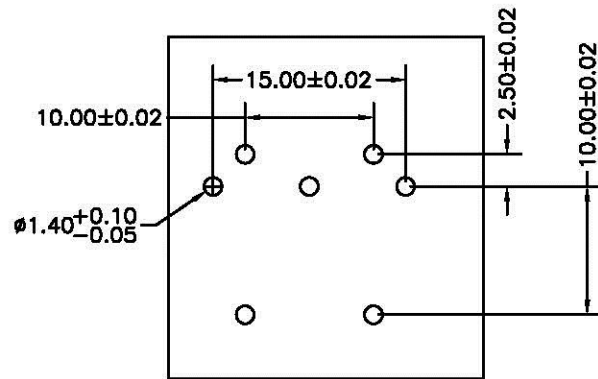
NOTES:

1. MATERIALS

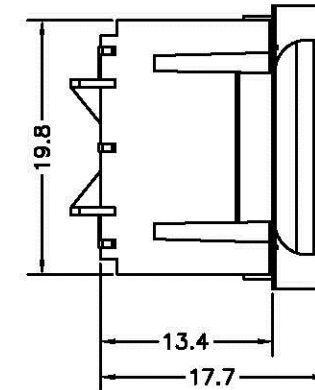
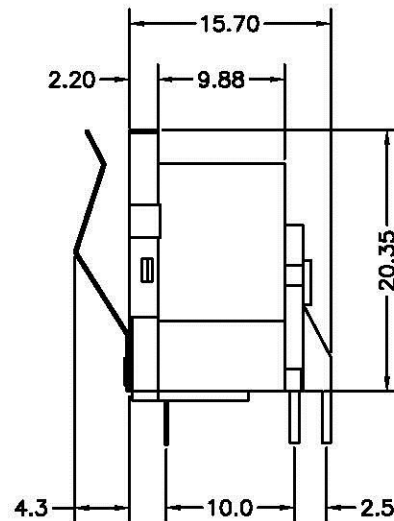
- 1.1 Insulator: PBT 30% Glass Fiber UL-94V-0
- 1.2 Contact: Brass, Tin Plated
- 1.3 Spring Tole: Nickel Plated

2. SPECIFICATIONS

- 2.1 Current Rating: 1Amp
- 2.2 Dielectric Strength: AC 1000V/min.R.M.S.
- 2.3 Insulator Resistance: 5000M Ω min. at 500V DC
- 2.4 Contact Resistance: 8m Ω Max
- 2.5 Operation Temperature: -55°C to +105°C



RECOMMEND P.C.BOARD LAYOUT



All Connectors

www.allconnectors.de info@allconnectors.de
Tel.: 0949 711 7009503 Fax: 0945 711 7009504
70754 Filderstadt Germany Kottenerstr. 25

PART NO. DJ-MS-05

DWG NO. DJ-MS-05

FILE NO.

UNIT / mm

SCALE 1:1

CHECKED BY CY

DRAWING BY

PROJECTION



TOLERANCES ARE

X ± 0.3
XX ± 0.2
XXX ±
AWG

DESCRIPTION:

5P黑方孔 魚叉式一般彈片
(端子鍍錫, 底座鍍鍍, 彈片鍍鍍)

AREA

REVISIONS

HK

DATE