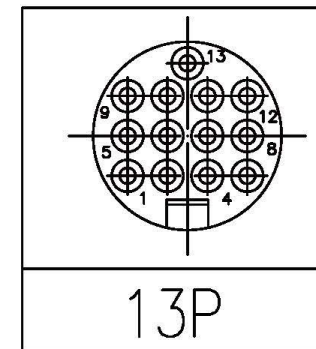
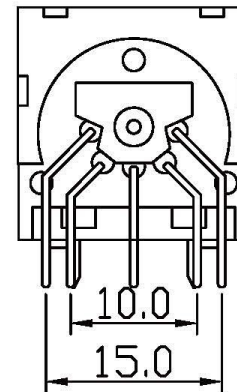
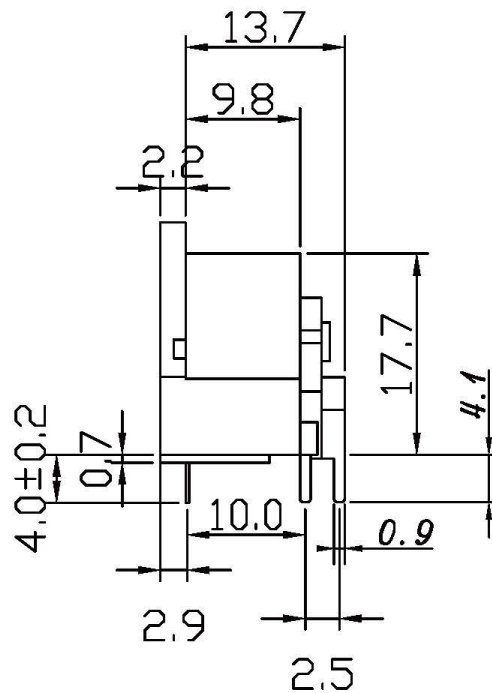
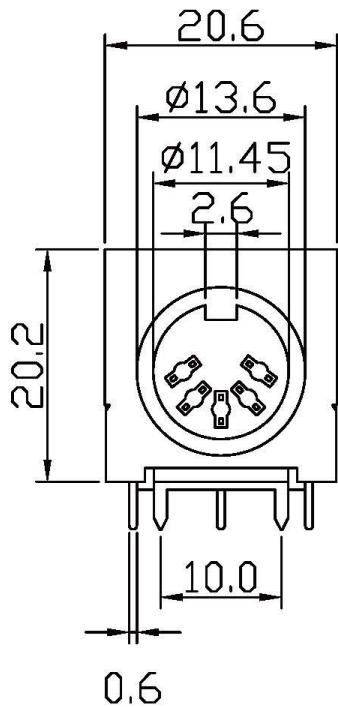

3P 180°	4P 210°	5P 180°	5P 240°	6P 240°	7P 270°	8P 270°
DJ-M-03	DJ-M-04	DJ-M-05	DJ-M-05B	DJ-M-06	DJ-M-07	DJ-M-08

SPECIFICATION:

Contact rating – 1 Ampere.
 Contact resistance – 20 mohm max.
 Operating temperature – -40C to +105C temperature.
 Dielectric withstanding voltage – 1000 VAC / 1 MIN.
 Insulation resistance – 5000 M min. 500 VDC.



FEATURES:

Contact material – Brass Tin plated.
 Insulator material – Thermoplastic Polyester 30% Glass
 – fiber (UL 94V-0 rated). Color – Black.

 www.allconnectors.de Tel.: 0049 711 7009503 70794 Filderstadt - Germany	RoHS Compliant		TOLERANCES ARE			ORDER INFORMATION	
	DRAWING BY CY		X.±			DJ-M-xx-LF SERIES LEADFREE 03-08WAY METAL	
	CHECKED BY GENIUS		.X±				
	UNIT/mm	SCALE 1:1	.XX±				
	DATE		.XXX±				
SIZE A4	PJECTION	ANG±		DESCRIPTION:			