

NO	PART NAME	Q'TY	MATERIAL	PLATED	REMARK
5	MOUTh BUSHING	1	PBT-94V0 G15		BLACK
4	ALUMINUM RIVET				
3	COVER	1	IRON SHEET	NICKLE	
2	SLEEVE	1	P.B.S	SILVER	
1	CONTACT	8	BRASS	SILVER	

**All Connectors**  
 www.allconnectors.de  
 info@allconnectors.de  
 Tel.: 0049 711 7009503  
 Fax: 0049 711 7009504  
 70734 Ilkerstact - Germany  
 Kettenersstr. 25

**RoHS Compliant**

DRAWING BY CY  
 CHECKED BY GENIUS

UNIT/mm SCALE 1:1  
 DATE  
 SIZE A4 PROJECTION

TOLERANCES ARE  
 X ± 0.50  
 XX ± 0.30  
 XXX ± 0.15  
 ANG ±



**ORDER INFORMATION**

DJ-D11-xx-LF

SERIES | 03~08WAY | LEADFREE

DIP 180° | PCB LAYOUT 11.0mm

**DESCRIPTION:**

Part No. : DJ-D-xx

Dimensions: (L\*W\*H) A:(C-A0108-65)

Material: (C-B0109-30)

191(mm)X148(mm)X80(mm)

Surface: (C-P0601-005)

Assembly [Packing Facility]

1. [Carton Tighted Machine]

2. [TAPING Machine]

Packing Details

1. 100PCS In One PE

2. 2PE In One Small Carton

3. 10 Small Carton In One Carton

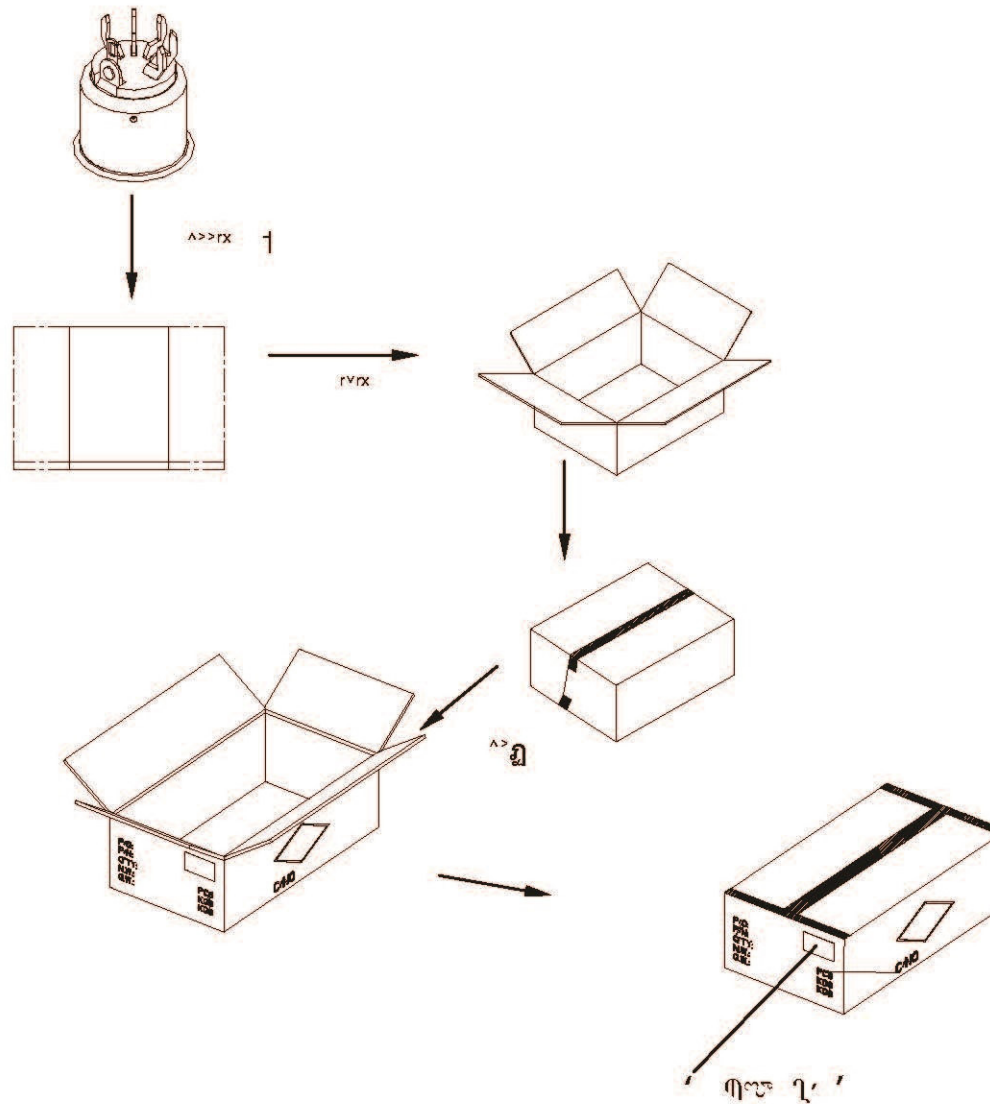
Weight

1. 1 pcs=4.75g

2. 1 Carton: Net Wt=9.8KG

dzdzdzdz/Gross Wt=11.1KG

1. 430(mm)±20(mm)±10(mm)



**All Connectors**

www.allconnectors.de  
Tel.: 0049 711 7009503  
70294 Filderstadt - Germany

info@allconnectors.de  
Fax: 0049 711 7009504  
Kettenmanstr. 25

PART NO. DJ-D11-xx

DWG NO. DJ-D11-xx

FILE NO.

UNIT / mm 200 (SCALE) 200 (mm)

CHECKED BY CY

DRAWING BY

PROJECTION

TOLERANCES ARE

- X. ±
- .X ±
- .XX ±
- .XXX ±
- ANG

DESCRIPTION:			
AREA	REVISIONS		DATE