

Note:

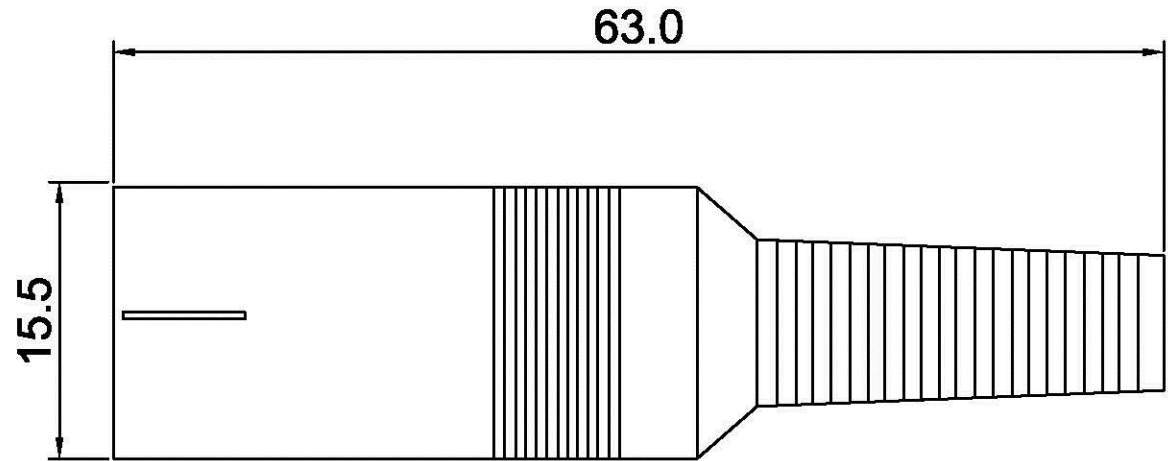
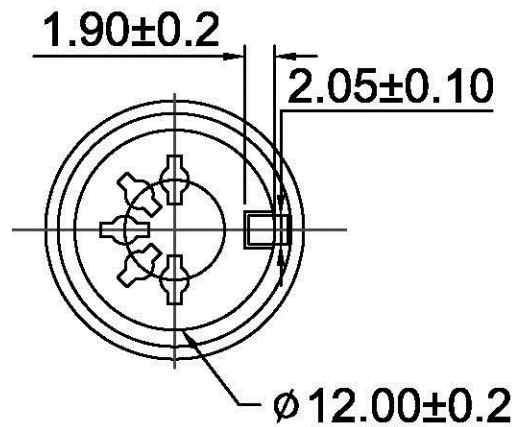
1. Material:

- 1.1 Insulator: High temperature thermoplastic with g.f, UL94v-0
- 1.2 Contact: Copper alloy, t=0.60mm
- 1.3 Shell: Spcc, t=0.40mm

2. Specification:

- 2.1 Current rating: 1 A Max.
- 2.2 Dielectric withstanding voltage: 750 V(ac) for 1 min.
- 2.3 Contact resistance: 30 mΩ Max.
- 2.4 Insulation resistance: 1000 MΩ Min.
- 2.5 Total mating force: 5.5 Kgf Max.
- 2.6 Total unmating force: 1.0 Kgf Min.
- 2.7 Temperature range: -55°C~85°C

NO. OF CONTACT	3(180°)	4(210°)	5(180°)	6(240°)	7(270°)	8(270°)
PART NO.	DA-S-03	DA-S-04	DA-S-05	DA-S-06	DA-S-07	DA-S-08
POSTTION						



**All Connectors**

www.allconnectors.de  
Tel.: 0019 711 7005503  
70734 Filzdenstadt - Germany

info@allconnectors.de  
Fax: 0019 711 7005501  
Ketteimerstr. 25

PART NO. DA-S-xx		APPROVED BY CY		TOLERANCES ARE X. ± 0.3 XX. ± 0.2 XXX. ± 0.1 AWG	DESCRIP TION: DIN (F) ASSEMBLY		
DWG NO. DA-S-xx		DRAWING BY			AREA	REVISIONS	HK
FILE NO.		PROJECTION					
UNIT / mm	SCALE 1:1						