

Specification

Current rating : 7.5A/DC max.
 Rated voltage : 25V/DC max.
 Operation temperature: -20~85°C

RoHS
 LEAD FREE
 TOLERANCE .X±0.25 .XX±0.10

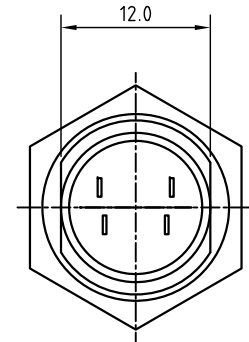
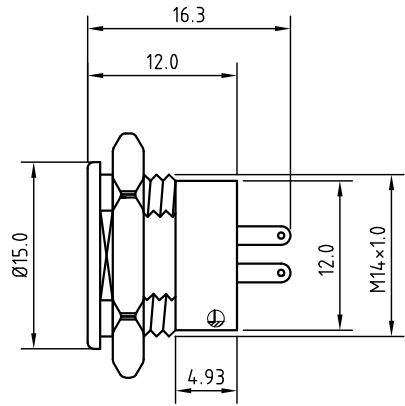
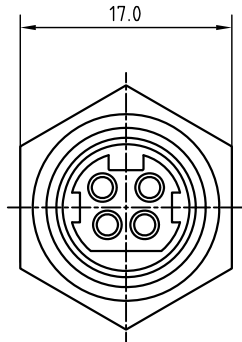
4	Screw	Brass	Nickel ptd.
3	Shell	Brass	Nickel ptd.
2	PIN	Phosphor bronze	Nickel ptd.
1	Housing	P.B.T	UL94V-0
Item	Description	Material	Treat

All Connectors

www.allconnectors.eu | info@allconnectors.eu
 Tel. +49 (0)711 / 358 110 20 | Fax +49 (0)711 / 358 110 25

ITEM	Circular Power Connector Push Lock Type	DATE	10-22-2010	PART NO.	A001-3SP
		DWN	GINA	REV.	0
		CHK	KATY		
		UNIT	MM		

NOTE: REV.0 NEW



Specification

Current rating : 7.5A/DC max.
 Rated voltage : 25V/DC max.
 Operation temperature: -20~85°C

RoHS
 LEAD FREE
 TOLERANCE .X±0.25 .XX±0.10

4	Screw	Brass	Nickel ptd.
3	Shell	Brass	Nickel ptd.
2	PIN	Phosphor bronze	Nickel ptd.
1	Housing	P.B.T	UL94V-0
Item	Description	Material	Treat

Allconnectors

www.allconnectors.eu | info@allconnectors.eu
 Tel. +49 (0)711 / 358 110 20 | Fax +49 (0)711 / 358 110 25

DATE	10-22-2010	PART NO.	A001-4SP
DWN	GINA	REV.	0
CHK	KATY		
ITEM	Circular Power Connector Push Lock Type	UNIT	MM

NOTE: REV.0 NEW