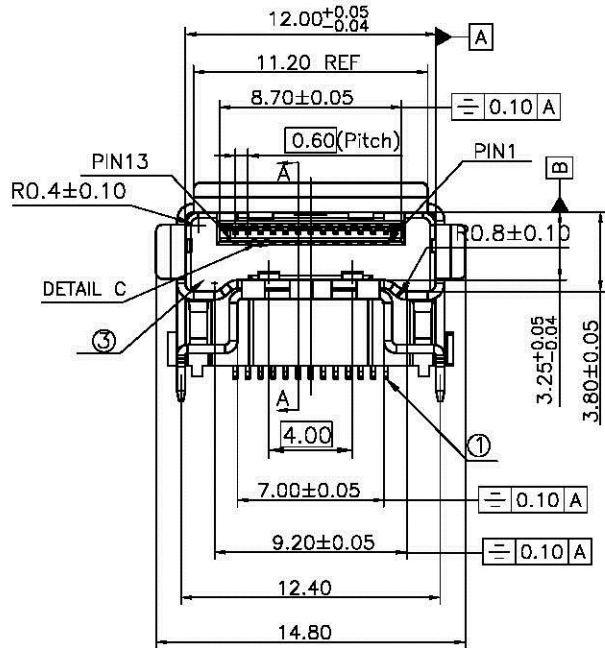
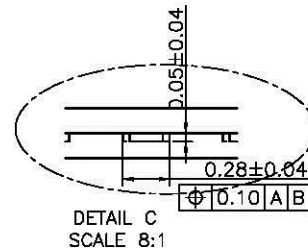
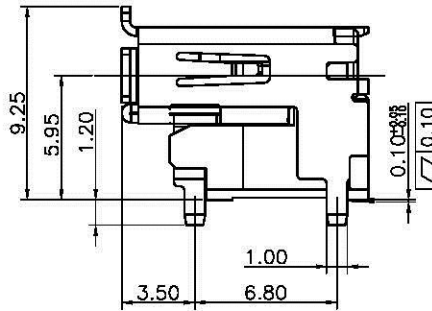
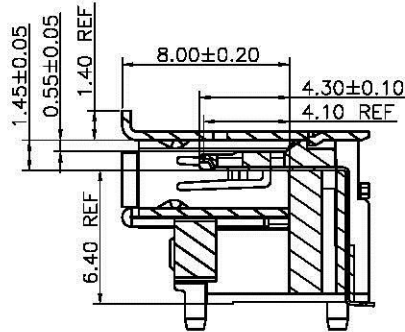
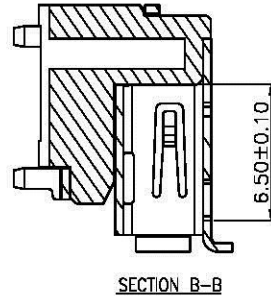
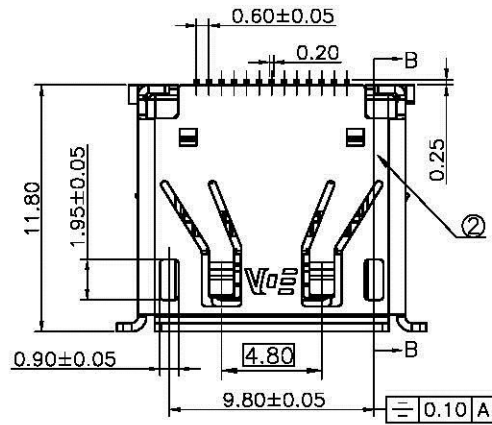
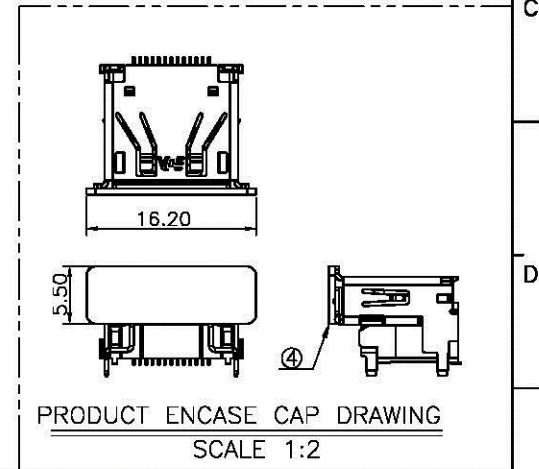


REV.	ZONE	LTR	DESCRIPTION	DATE	REVISER	APPD.
0.1			NEW DESIGN.	05/09'11	June_tu	



SPECIFICATIONS

1. MECHANICAL :
 - 1.1 INSERTION FORCE :44 N MAX
 - 1.2 WITHDRAWAL FORCE :10N~40N.
2. ELECTRICAL :
 - 2.1 CONTACT CURRENT RATING: 0.5A MIN.
 - 2.2 VOLTAGE RATING :40V AC (rms)
 - 2.3 WITHSTANDING VOLTAGE:
 - 350Volts AC BETWEEN ADJACENT TERMINAL(UNMATE)
 - 200Volts AC BETWEEN ADJACENT TERMINAL(MATE)
 - 2.4 INSULATION RESISTANCE:
 - 100Mohm MIN.(UNMATED);10Mohm MIN.(MATED)
 - 2.5 CONTACT RESISTANCE: 30 MILLIOHMS MAX.
 - 2.6 DIFFERENTIAL IMPEDANCE:
 - MATED CONNECTOR 100±15 ohms.
3. ENVIRONMENTAL :
 - 3.1 OPERATING TEMPERATURE:-25°C TO +85°C





RoHS Compliant

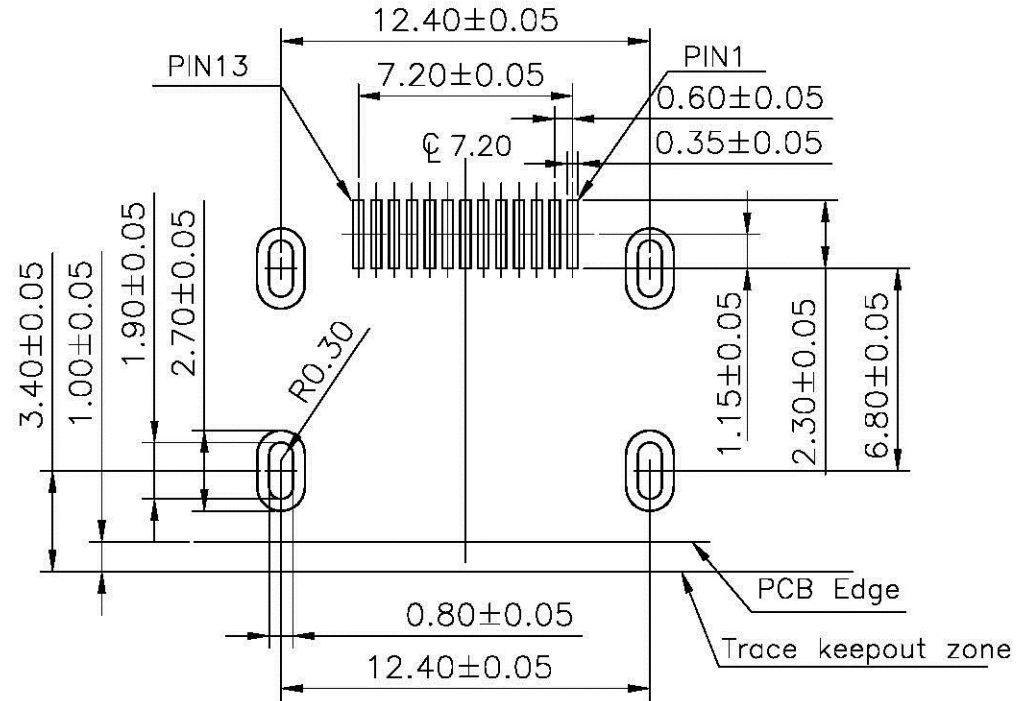
MATERIAL: 	TOLERANCE UNSPECIFIED: .000 ± 0.15 .00 ± 0.20 .0 ± 0.30 ANGLE ± 2'	 <small>One of the world's leading manufacturers of high quality connectors and components</small>	
	FINISH: 	DRAWN: June_tu 05/09'11 DESIGNER: June_tu 05/09'11 CHECKED: Bill_wang 05/09'11 APPROVED: Peter_hu 05/09'11	SCALE: No UNIT: mm NAME: DiVA RECEPTACLE SMT TYPE DRAWING NO.: R-S168U-02
		SHEET: 1/2	REV.: 0.1

REV.	ZONE	LTR	DESCRIPTION	DATE	REVISER	APPD.
0.1			NEW DESIGN.	05/09'11	June_tu	

ORDERING INFORMATION

68 U 013 S - 3 8 N - B - R
 (1) (2) (3) (4) (5) (6) (7) (8) (9)

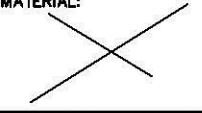

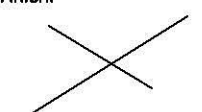
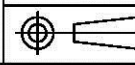
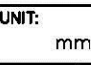
- SERIES NO.
68: DIIVA CONNECTOR
- TAIL CONSTRUCTION TYPE
U: SMT TYPE
- NUMBER OF PIN
013: 13 POSITIONS
- CONTACT & CONNECTIONG TYPES:
S: SOCKET
- COLOR CODES
3: BLACK
- CONTACT PLATING:
4: SELECTED GOLD FLASH OVER 50u" NICKEL
5: SELECTIVE 15u" GOLD IN CONTACT AREA AND GOLD FLASH ALLOVER OVER NICKEL
8: GOLD FLASH ALLOVER OVER NICKEL
- SHELL PLATING
N: SOLDERABLE NICKEL PLATED
- LOGO OPTIONAL NO.
B: SHELL WITH  LOGO, HOUSING W/O  LOGO
- PACKAGING
R: TAPE REEL PACKING



RECOMMENDED P.C.B. LAYOUT (COMPONENT SIE VIEW)

TOL IS ±0.05 THK=1.20 ALL POSITION TOL \varnothing 0.06 X|Y

4	CAP	THERMOPLASTIC	HAI QIONG	BLACK
3	HOUSING	THERMOPLASTIC	HAI QIONG	BLACK
2	SHELL	COPPER ALLOY	TONG PENG	PLATING NI
1	TERMINAL	COPPER ALLOY	TONG PENG	SELECTIVE GOLD IN COTACT ARER
ITEM	PART	SPECIFICATION	SUPPLIER	PLATING/COLOR

MATERIAL:		TOLERANCE UNSPECIFIED: .000 ± .00 ± 0.05 .0 ± 0.10 ± 0.15 ANGLE ± 1°	 <small>AI Connectors is a registered trademark of AI Connectors Inc. All rights reserved. © 2008 AI Connectors Inc. All rights reserved.</small> Tel: 0649 711 708808 Fax: 0649 711 708808 P.O. Box 118888, Singapore	
FINISH:		DRAWN: June_tu 05/09'11 DESIGNER: June_tu 05/09'11 CHECKED: Bill_wang 05/09'11 APPROVED: Peter_hu 05/09'11	 SCALE: 1:1  UNIT: mm	NAME: Diiva RECEPTACLE SMT TYPE SHEET: 2/2 REV.: 0.1
			DRAWING NO.: R-S168U-02	