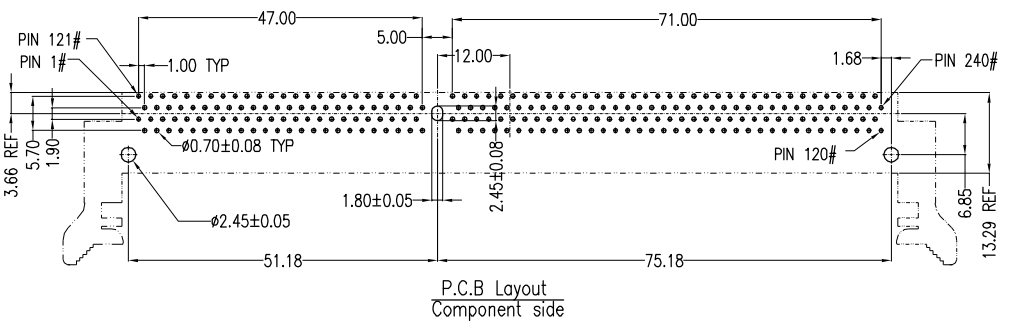
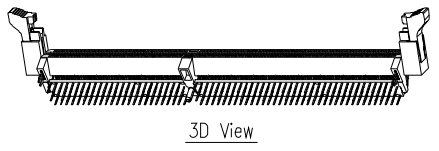
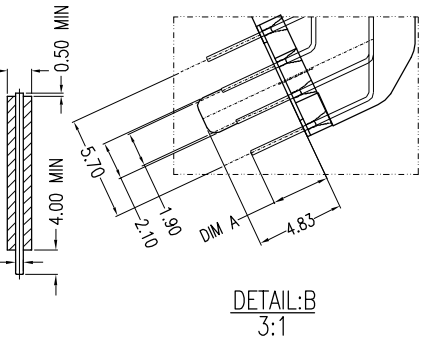
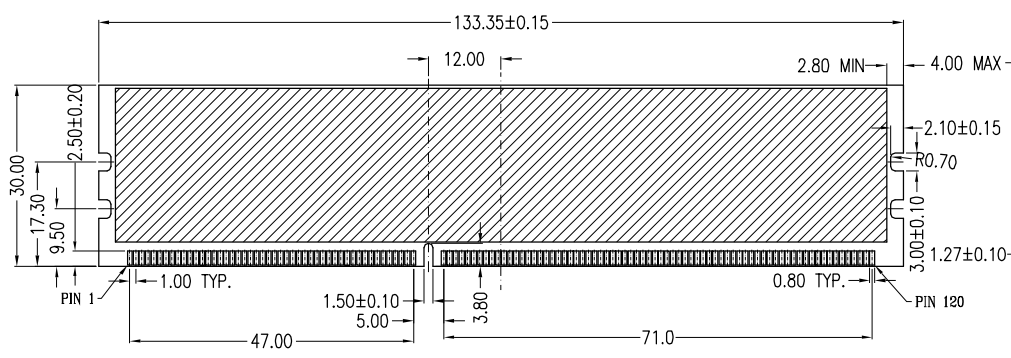
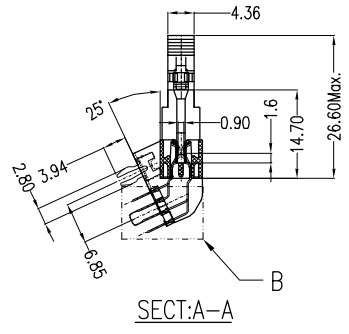
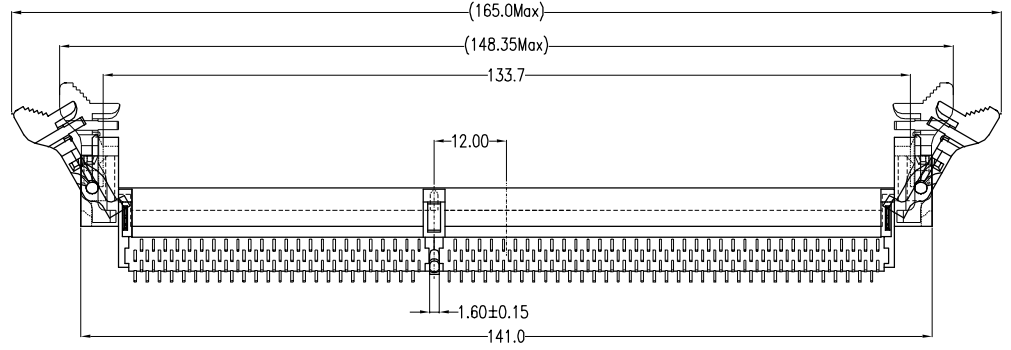
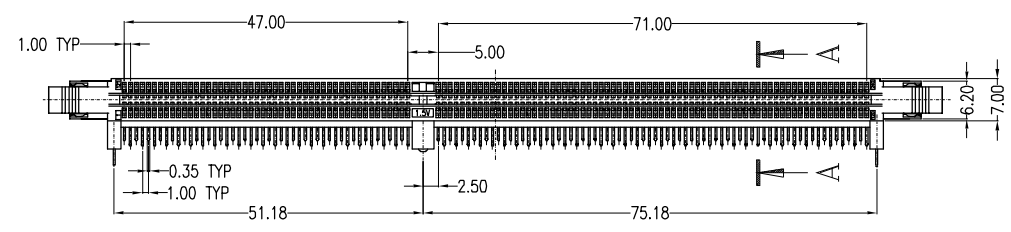


REV.	ECN.NO.	DATE
A	RELEASED	12/10/08
B	Modify PCB Layout	01/22/11



NOTES

*** Material:**
 Body: Nylon46+30%G.F, Glass Filled UL 94-0 Rated, Color: Black;
 Ejector: Nylon66, Glass Filled UL 94V-2 Rated, Color: White;
 Latch: Nylon46+30%G.F, Glass Filled UL 94V-0 Rated; Color: Black.
 Contact: Brass
 Contact Plating: Gold Plating Over Nickel On Contact Area
 Tin Plating On Solder Tail;
 Harpoon: Phosphor Bronze
 Harpoon Plating: Nickel Plating.

*** Mechanical:**
 Retention Force-Terminal: 350 Grams MIN. Per;
 Insertion Force: 40~120 Grams/Contact pair
 Unmating Force: 20 Grams (Min)/Contact pair

*** Electrical Specification:**
 Contact Resistance: 30 Milliohms MAX. Initial;
 Insulation Resistance: 1000 Megohms MIN. AT 500 VDC
 Withstand Voltage: 500 V AC,

*** Environmental:**
 Operating Temperature: -55°C TO +105°C

*** How To Order:**

WDDT-240A3N41BU

- U: Lead Free
- B: Brass
- 1: Black
- N4: Nylon46
- 3: 25D Standard (2.70mm)
- Gold A: Flash
- No. of Contacts
- Series NO.

REV	Add dimension 6.85			Drawing By	Data	 <small>www.allconnectors.eu info@allconnectors.eu Tel. +49 (0)711 / 358 110 20 Fax +49 (0)711 / 358 110 25</small>			
Units	mm	Scale	1:1	Reviewed By	Data				Date
Tolerance Unless Otherwise Specified				Approval By	Data	Sheet	1 of 1	Title	DDR3-240 Pins 25D Connector
	.X	±	±0.38			Third Angle Projection			
	.XX	±	±0.25						
	.XXX	±	±0.20						
	Angle	±	± 3°			Drawing No.	WDDT-240PS-AN-W080	REV	B