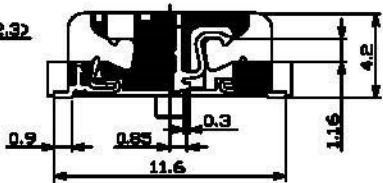
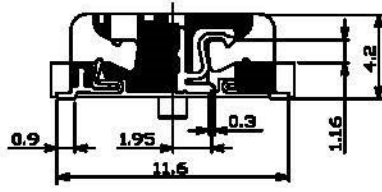
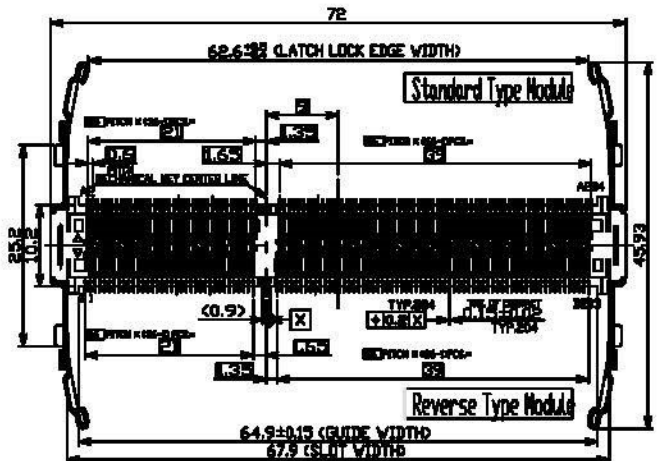


SWITCH CIRCUIT			MATERIAL AND FINISH AS BELOW						
WHEN CARD IS EJECTED	WHEN CARD IS INSERTED	A	Housing	LCP UL94V-0 Black	E				
		B	Contact	Phosphor Bronze C5210, Contact Area: Gold Flash	F				
		C	Latch	Stainless Steel SUS301	G				
		D			H				



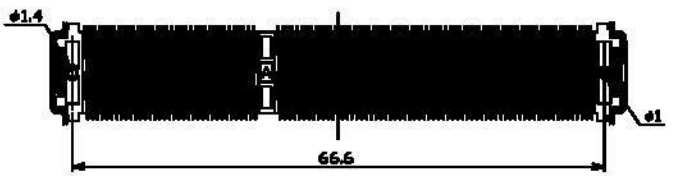
**SPECIFICATION:**

- 1. ELECTRICAL**  
 1.1 Current Rating: 0.3A per pin  
 1.2 Voltage Rating: 25V AC/DC  
 1.3 Contact Resistance: 60mΩ  
 1.4 Insulation Resistance: 250MΩ  
 1.5 Dielectric Withstanding Voltage: 125VAC

- 2. MECHANICAL**  
 2.1 Durability: 25 Cycle  
 2.2 Mating Force: 78.4N Max

- 3. ENVIRONMENTAL**  
 3.1 Operating temperature range: -40°C~+85°C  
 3.2 Storage temperature range: -40°C~+85°C

- 4. SOLDER ABILITY**  
 4.1 Recommended IR Reflow Temperature: 255°C 10Sec



P1	P2	P3	P4	P5	P6	P7	P8	P9	P10	P11	P12
----	----	----	----	----	----	----	----	----	-----	-----	-----

**PIN ASSIGNMENT**

--	--

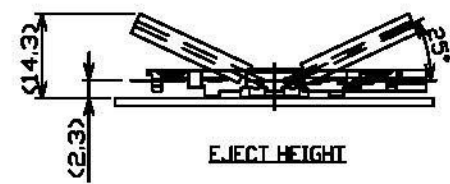
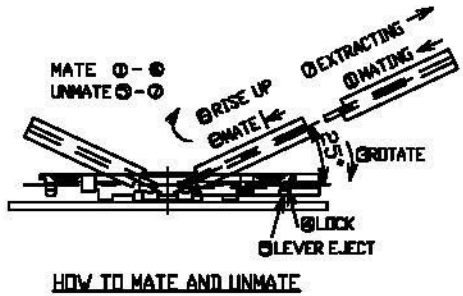
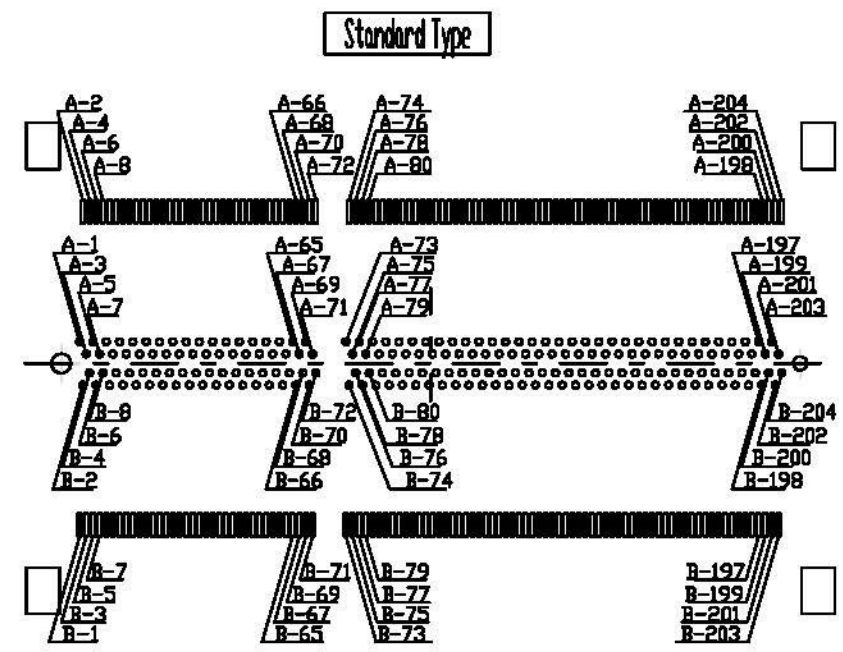
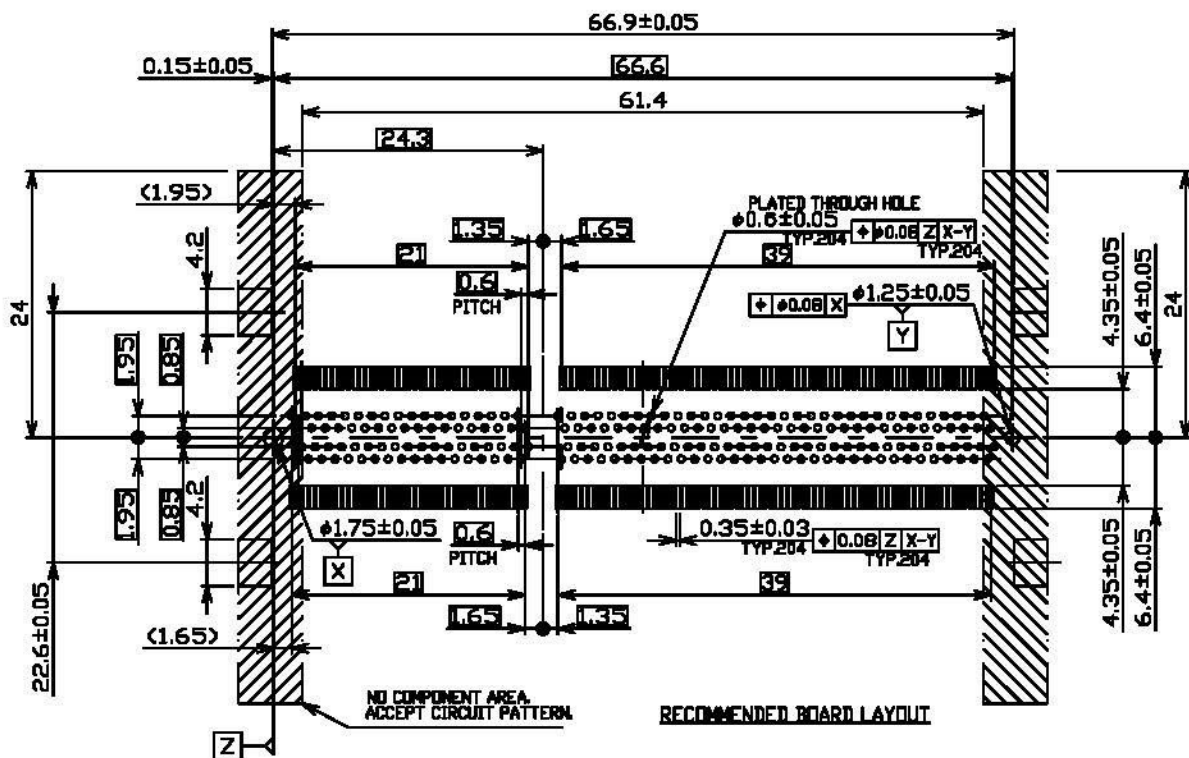
122C-42A00	SO DIMM DDR3 Socket Dual Card Type 1.5V 204Pin 4.2H, Contact Area: Gold Flash
------------	---

**PRODUCT NO. DESCRIPTION**

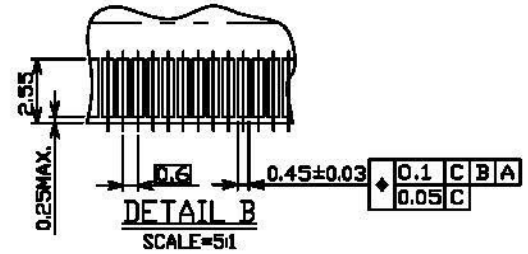
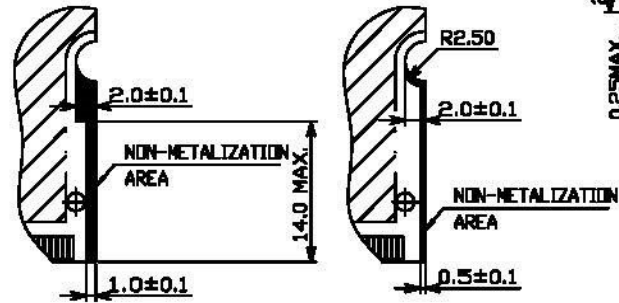
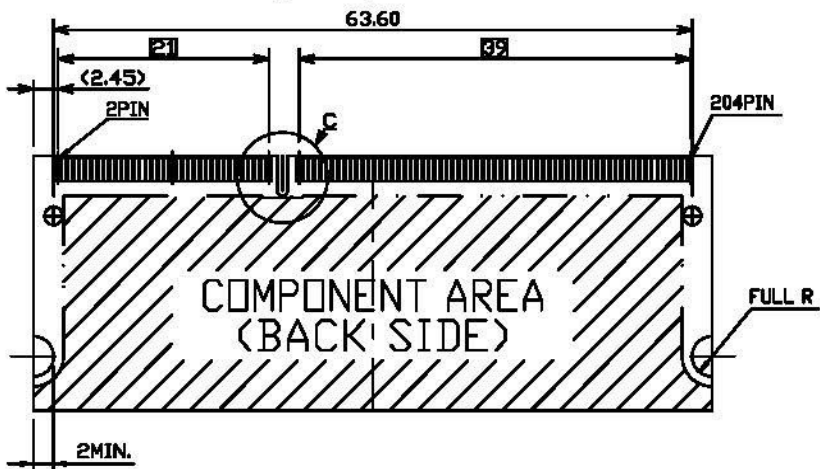
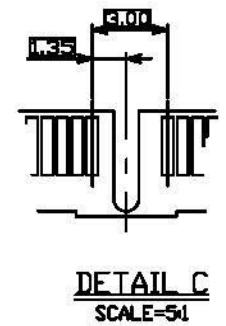
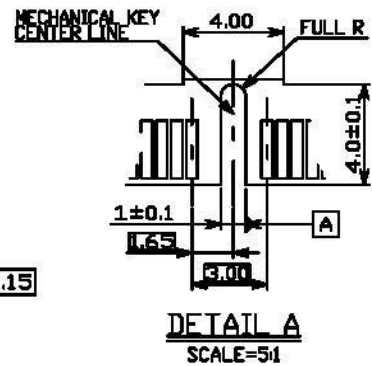
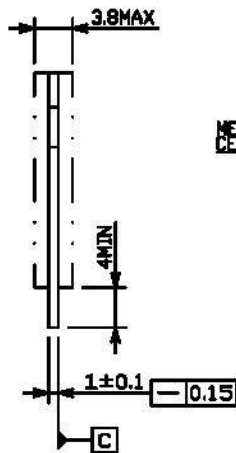
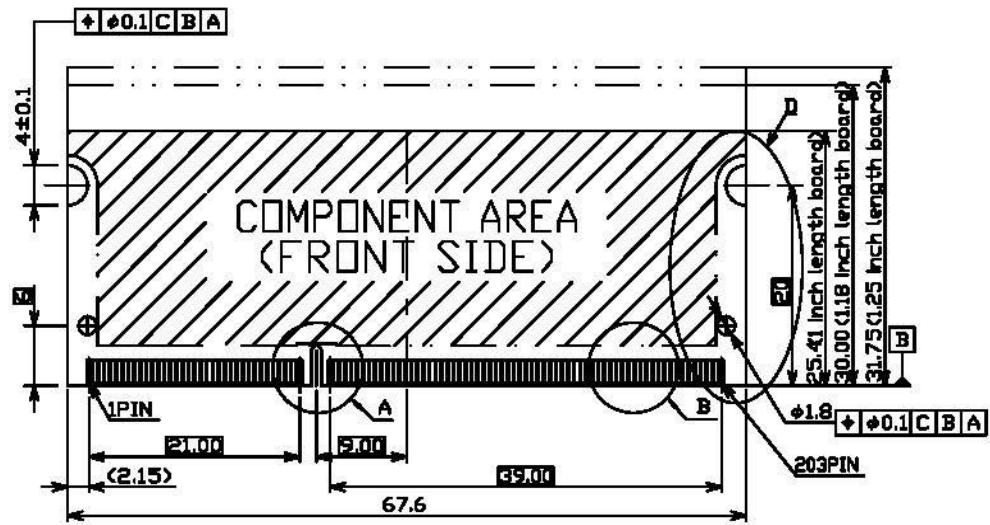
UNLESS OTHERWISE SPECIFIED TOLERANCE			
ANGLES	ANG.	±0.3	
LINEAR		±0.25	
		±0.20	
SCALE	AS SHOWN	UNIT: mm	
DRAWN	Willis	2012/12/05	DRAWN NAME: SO DIMM DDR3 Socket Dual Card Type 1.5V 204Pin 4.2H
CHECKED	Angel	2012/12/05	
APPROVED	Ken	2012/12/05	
PRODUCT NO.	122C-42A00		

- Revise:
- Revise:
- Revise:

REV.	DESCRIPTION	DATE	REV.	DESCRIPTION	DATE	SIZE	REV.	FILE NAME
1						M	1.0	122C-42A00_B_1



						UNLESS OTHERWISE SPECIFIED TOLERANCE				
						ANGLES	ANG.	±5°		
						LINEAR	0.	±0.3		
							0.0	±0.25		
						SCALE	AS SHOWN	UNIT: mm	www.allconnectors.de info@allconnectors.de Tel: (040) 711 700900 Fax: (040) 711 700904 20794 Miersdorf - Germany Kettnerstr. 25	
A  Revise:						DRAWN	Willis	2012/12/05	DRAWN NAME: SO DIMM DDR3 Socket	
A  Revise:						CHECKED	Angel	2012/12/05	Dual Card Type 1.5V 204Pin 4.2H	
A  Revise:						APPROVED	Ken	2012/12/05	PRODUCT NO.	122C-42A00
REV.	DESCRIPTION			DATE	REV.	DESCRIPTION			DATE	SIZE A4 REV. 1.0 FILE NAME 122C-42A00_B_1



RECOMMENDED MATING P.C. BOARD DIM.

REV.	DESCRIPTION	DATE	REV.	DESCRIPTION	DATE	SIZE	REV.	FILE NAME
1			4			M	1.0	122C-42A00_B_1
2			5					
3			6					
4			7					
5			8					
6			9					
7			10					

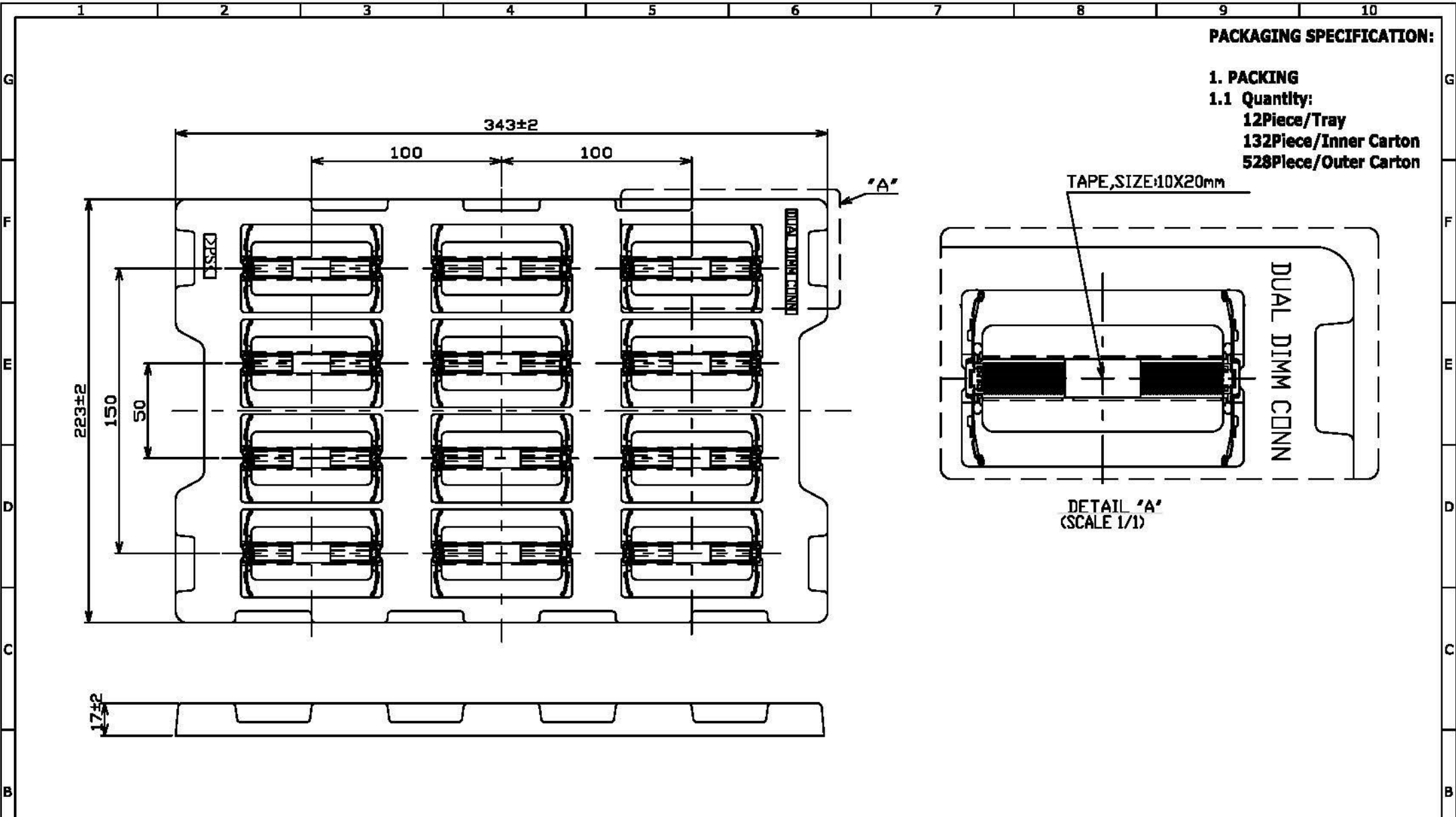
  

UNLESS OTHERWISE SPECIFIED TOLERANCE			DRAWN NAME:	
ANGLES	ANG.	±5°	SO DIMM DDR3 Socket	
LINEAR	0.	±0.3	Dual Card Type 1.5V 204Pin 4.2H	
	0.0	±0.25	PRODUCT NO.	122C-42A00
	0.00	±0.20	FILE NAME	122C-42A00_B_1
SCALE	AS SHOWN	UNIT: mm		
DRAWN	Willis	2012/12/05		
CHECKED	Angel	2012/12/05		
APPROVED	Ken	2012/12/05		

**All connectors**

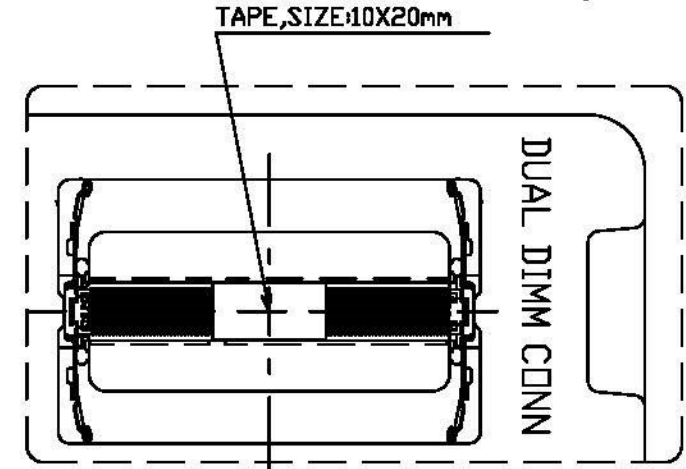
www.allconnectors.de info@allconnectors.de  
 T.L. 0549 711 7095(3) Fax: 0549 711 7095(4)  
 70734 Filzschmitt Germany info@allconnectors.de





**PACKAGING SPECIFICATION:**

- 1. PACKING**
- 1.1 Quantity:**
- 12Piece/Tray**
- 132Piece/Inner Carton**
- 528Piece/Outer Carton**



**DETAIL "A"**  
**(SCALE 1/1)**

							UNLESS OTHERWISE SPECIFIED TOLERANCE						
							ANGLES	ANG.	±5.3				
							LINEAR	0.	±0.25				
								0.00	±0.20				
							SCALE	AS SHOWN	UNIT: mm	www.allconnectors.de    info@allconnectors.de Tel.: 0049 711 7009301    Fax: 0049 711 7009304 70794 Filberstadt - Germany    Kettnerstr. 25			
							DRAWN	Willis	2012/12/05				
							CHECKED	Angel	2012/12/05				
							APPROVED	Ken	2012/12/05				
							SIZE <b>M</b> REV. <b>1.0</b>			DRAWN NAME: <b>SO DIMM DDR3 Socket</b> <b>Dual Card Type 1.5V 204Pin 4.2H</b>			
REV.	DESCRIPTION	DATE	REV.	DESCRIPTION	DATE	PRODUCT NO.		122C-42A00		FILE NAME		122C-42A00_D_1	
1													