

SWITCH CIRCUIT

MATERIAL AND FINISH AS BELOW

WHEN CARD IS EJECTED

WHEN CARD IS INSERTED

A	Housing	LCP UL94V-0 Black	E	
B	Contact	Phosphor Bronze C5210, Contact Area: Gold Flash	F	
C	Latch	Stainless Steel SUS301	G	
D			H	



NOTES:
 DATE CODE 2202 (YWW)
 Y: 2 YEAR(2012)
 WW:20 WEEK(01~52)
 D: 2 DAY(01~07)

SPECIFICATION:

1. ELECTRICAL

- 1.1 Current Rating: 0.5A per pin
- 1.2 Voltage Rating: 25V AC/DC
- 1.3 Contact Resistance: 60mΩ
- 1.4 Insulation Resistance: 500MΩ
- 1.5 Dielectric Withstanding Voltage: 125VAC

2. MECHANICAL

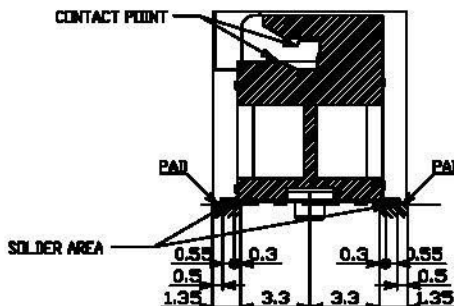
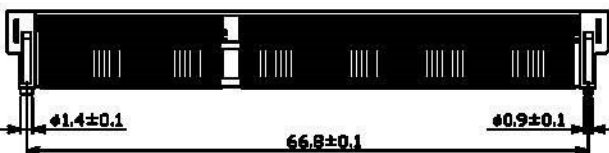
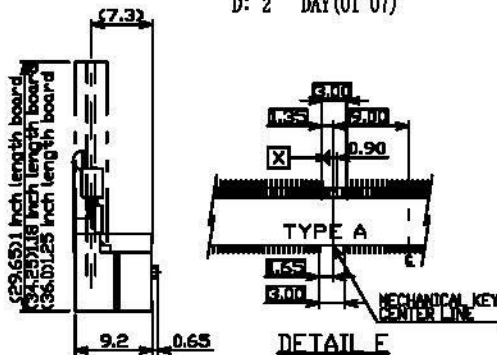
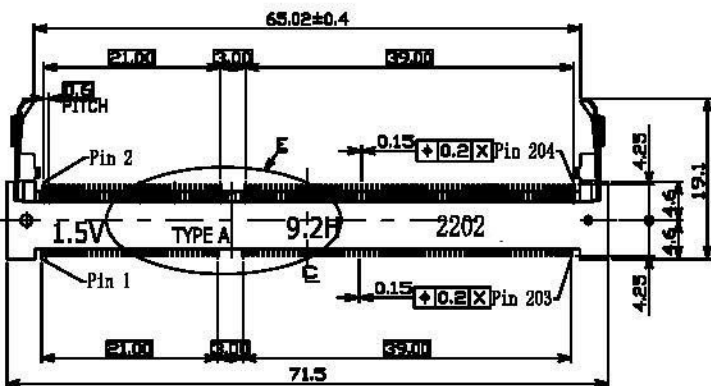
- 2.1 Durability: 25 Cycle
- 2.2 Latch Retention Force: 8 N/Pos. Min

3. ENVIRONMENTAL

- 3.1 Operating temperature range: -40°C~+85°C
- 3.2 Storage temperature range: -40°C~+85°C

4. SOLDER ABILITY

- 4.1 Recommended IR Reflow Temperature: 255°C 10Sec



P1	P2	P3	P4	P5	P6	P7	P8	P9	P10	P11	P12
----	----	----	----	----	----	----	----	----	-----	-----	-----

PIN ASSIGNMENT

122A-92A00 SO DIMM DDR3 Socket 1.5V 204Pin Type 9.2H, Contact Area: Gold Flash

PRODUCT NO. DESCRIPTION

UNLESS OTHERWISE SPECIFIED TOLERANCE

ANGLES	ANG.	±P
	0.	±0.3
LINEAR	0.0	±0.25
	0.00	±0.20

SCALE AS SHOWN UNIT: mm

DRAWN Willis 2012/12/05

CHECKED Angel 2012/12/05

APPROVED Ken 2012/12/05



www.allconnectors.com
 info@allconnectors.com
 TEL: 0049 030 4000400
 FAX: 0049 030 4000401
 JOULE-HILDEBRANDT-GERMANY
 kettenmetz.de

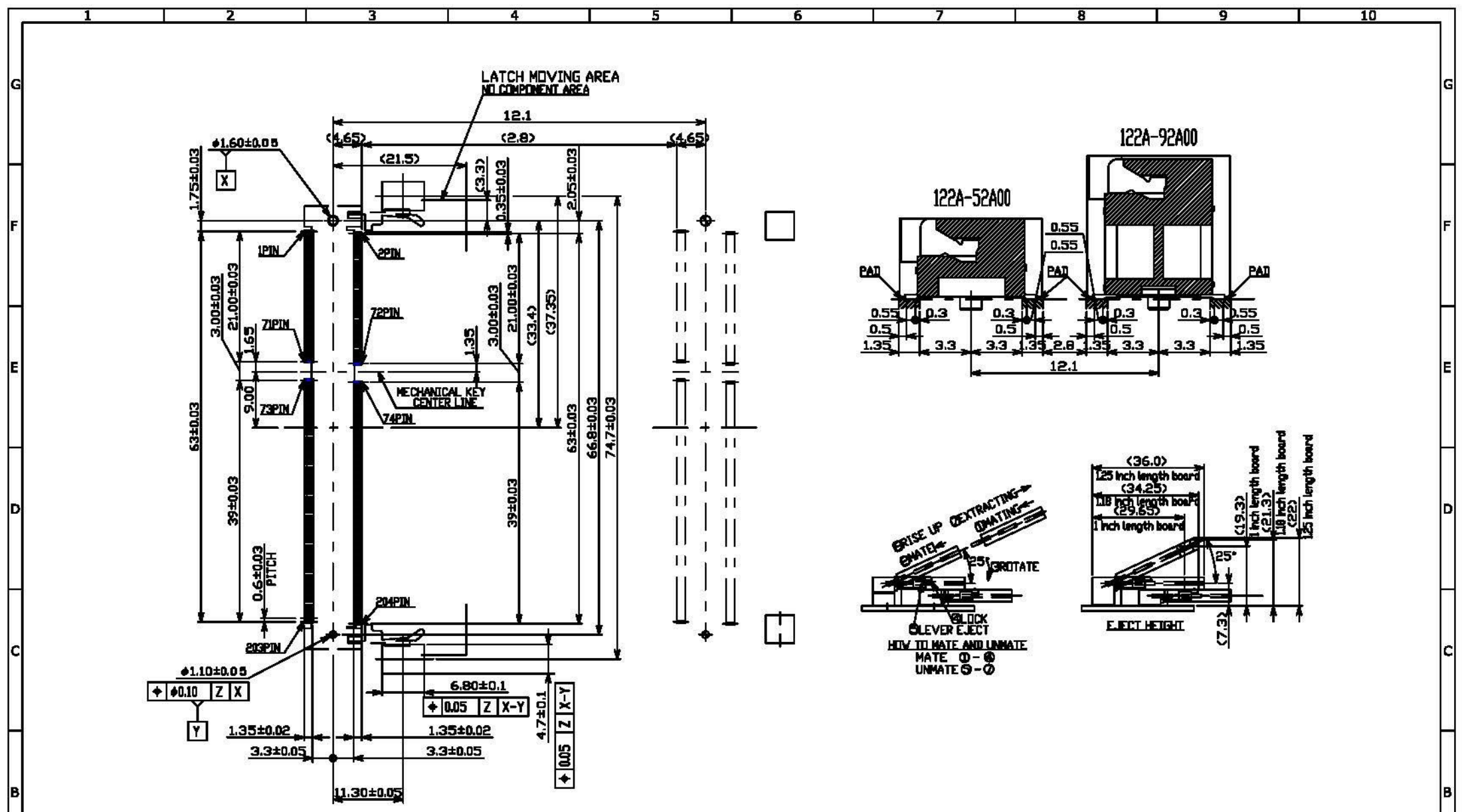
DRAWN NAME: SO DIMM DDR3 Socket 1.5V 204Pin 9.2H Type

PRODUCT NO. 122A-92A00

FILE NAME 122A-92A00_B_1

- △ Revise:
- △ Revise:
- △ Revise:

REV.	DESCRIPTION	DATE	REV.	DESCRIPTION	DATE	SIZE	REV.	FILE NAME
1						M	1.0	122A-92A00_B_1

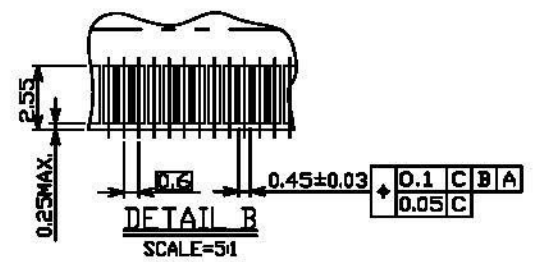
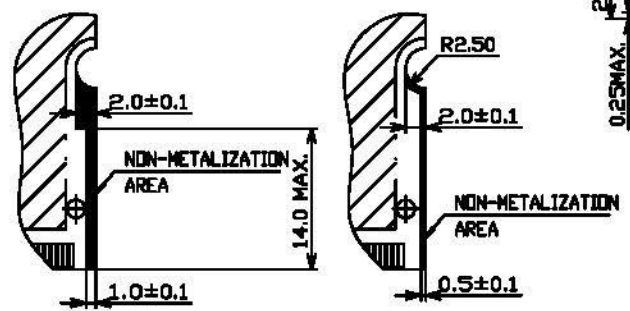
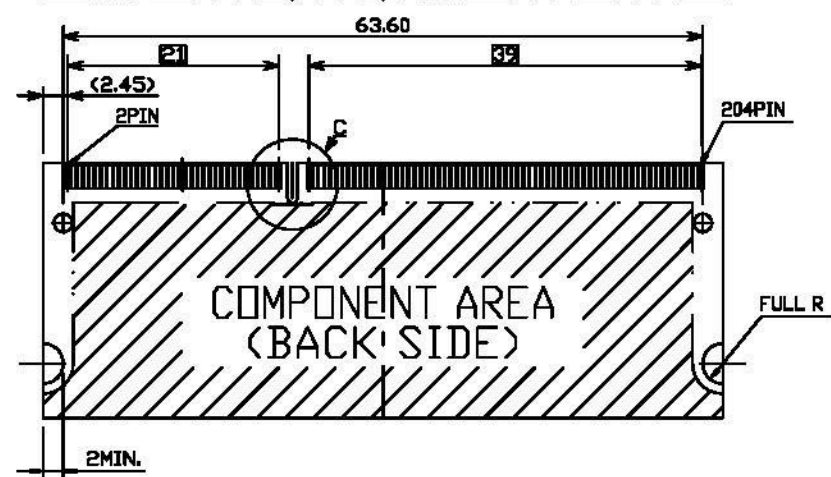
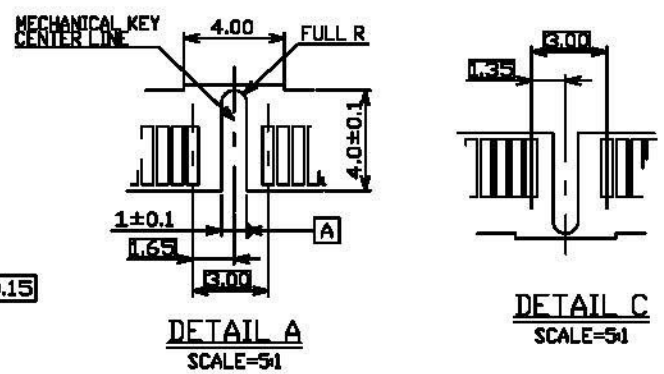
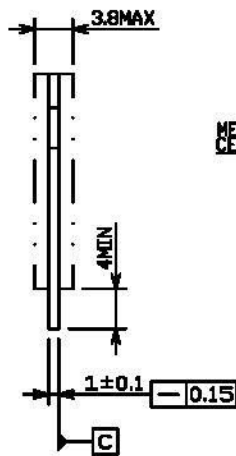
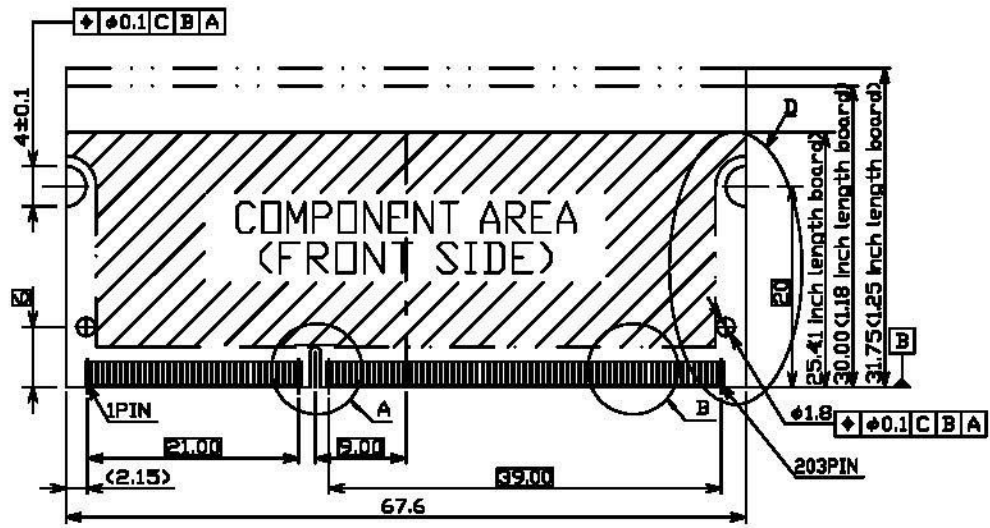


REV.	DESCRIPTION	DATE	REV.	DESCRIPTION	DATE	SIZE	REV.	FILE NAME
1						M	1.0	122A-92A00_B_1

UNLESS OTHERWISE SPECIFIED TOLERANCE		
ANGLES	ANG.	±5°
LINEAR	0.	±0.3
	0.0	±0.25
	0.00	±0.20
SCALE	AS SHOWN	UNIT: mm
DRAWN	Willis	2012/12/05
CHECKED	Angel	2012/12/05
APPROVED	Ken	2012/12/05

All connectors	
www.allconnectors.de	info@allconnectors.de
Tele: 0540 711 70050	Fax: 0540 711 70050
20794 Fildesruh - Germany	Kellenen 1, 25

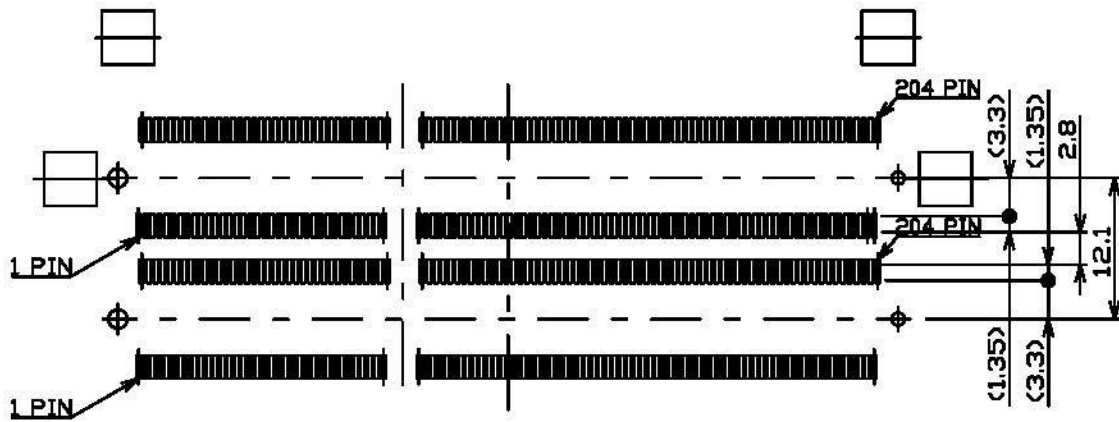
DRAWN NAME: SO DIMM DDR3 Socket 1.5V 204Pin 9.2H Type	
PRODUCT NO.	122A-92A00



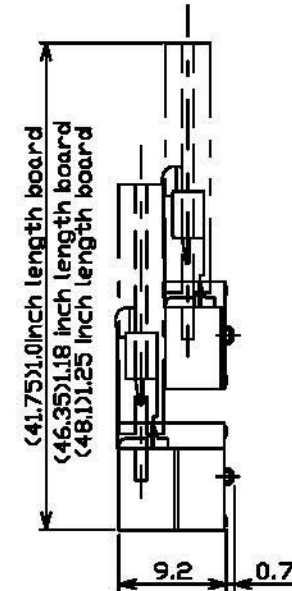
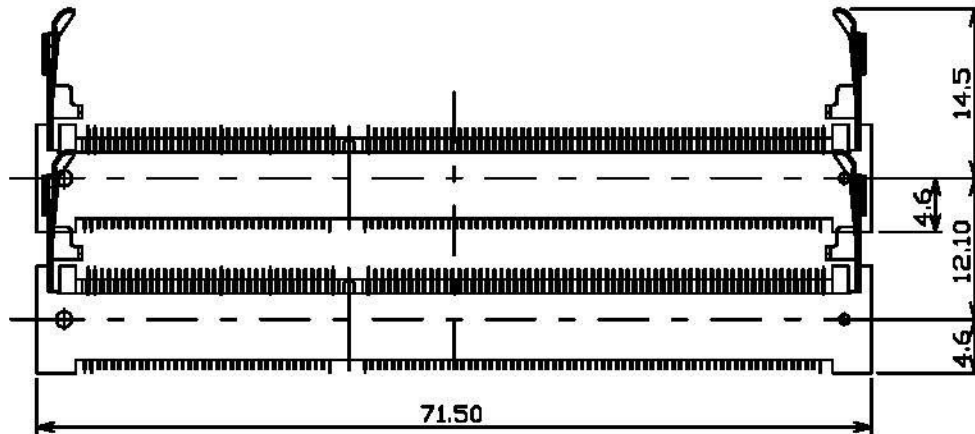
RECOMMENDED MATING
P.C. BOARD DIM.

REV.	DESCRIPTION	DATE	REV.	DESCRIPTION	DATE	SIZE	REV.	FILE NAME
1			2			A4	1.0	122A-92A00_B_1

UNLESS OTHERWISE SPECIFIED TOLERANCE			All Connectors	
ANGLES	ANG.	15°	www.allconnectors.de info@allconnectors.de Tel: +049 711 200900 Fax: +049 711 700704 77744 Tübingen - Germany Völklingerstr. 35	
LINEAR	D.	±0.3		
	D.0	±0.25		
	D.00	±0.20		
SCALE	AS SHOWN	UNIT: mm		
DRAWN	Willis	2012/12/05	DRAWN NAME:	
CHECKED	Angel	2012/12/05	SO DIMM DDR3 Socket 1.5V 204Pin 9.2H Type	
APPROVED	Ken	2012/12/05	PRODUCT NO.	122A-92A00
			FILE NAME	122A-92A00_B_1



RECOMMENDED MOUNTING
P.C. BOARD PATTERN LAYOUT DIM.



Combination Dimension for H=5.2 connector

(Only the combination of the P/N 122A-52A00 (H=5.2) and 122A-92A00 (H=9.2) is possible.)

UNLESS OTHERWISE SPECIFIED TOLERANCE		
ANGLES	ANG.	±5.3
LINEAR	0.	±0.25
	0.00	±0.20
SCALE	AS SHOWN	UNIT: mm
DRAWN	Willis	2012/12/05
CHECKED	Angel	2012/12/05
APPROVED	Ken	2012/12/05

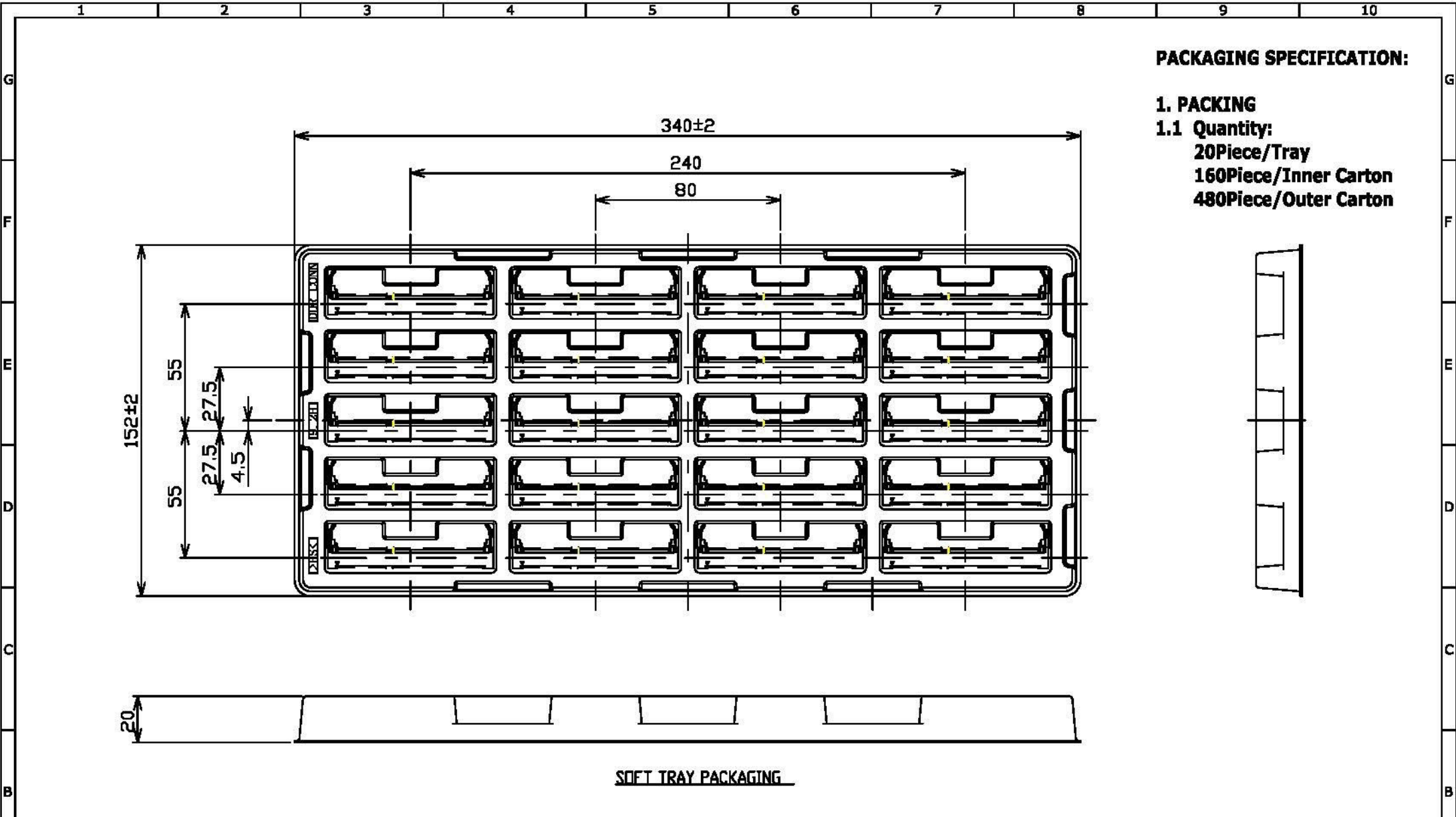
All connectors
www.allconnectors.com
 info@allconnectors.com
 7054 Riverchase Community
 Kennesaw, GA 30144

SO DIMM DDR3 Socket 1.5V 204Pin 9.2H Type

PRODUCT NO. 122A-92A00
 FILE NAME 122A-92A00_B_1

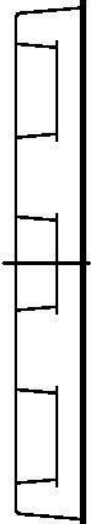
- △ Revise:
- △ Revise:
- △ Revise:

REV.	DESCRIPTION	DATE	REV.	DESCRIPTION	DATE	SIZE	REV.	FILE NAME
1						M	1.0	122A-92A00_B_1



PACKAGING SPECIFICATION:

- 1. PACKING**
- 1.1 Quantity:**
- 20 Piece/Tray**
- 160 Piece/Inner Carton**
- 480 Piece/Outer Carton**



SOFT TRAY PACKAGING

						UNLESS OTHERWISE SPECIFIED TOLERANCE				
						ANGLES	ANG.	±5°		
						LINEAR	0.	±0.3		
							0.0	±0.25		
						SCALE	AS SHOWN	UNIT: mm	www.allconnectors.com info@allconnectors.com Tel: 0399 211 700/908 Fax: 0399 211 700/909 7024 Flörsdorf - Germany Rattenmstr. 25	
						DRAWN	Willis	2012/12/05	DRAWN NAME:	
						CHECKED	Angel	2012/12/05	SO DIMM DDR3 Socket 1.5V 204Pin 9.2H Type	
						APPROVED	Ken	2012/12/05	PRODUCT NO.	122A-92A00
REV.	DESCRIPTION	DATE	REV.	DESCRIPTION	DATE			SIZE	REV.	FILE NAME
1						A4	1.0			122A-92A00_D_1

- △ Revise:
- △ Revise:
- △ Revise: