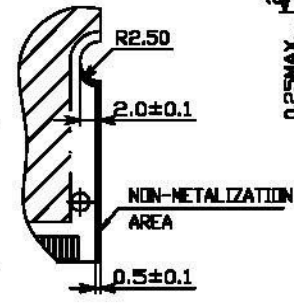
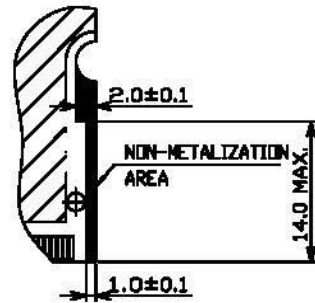
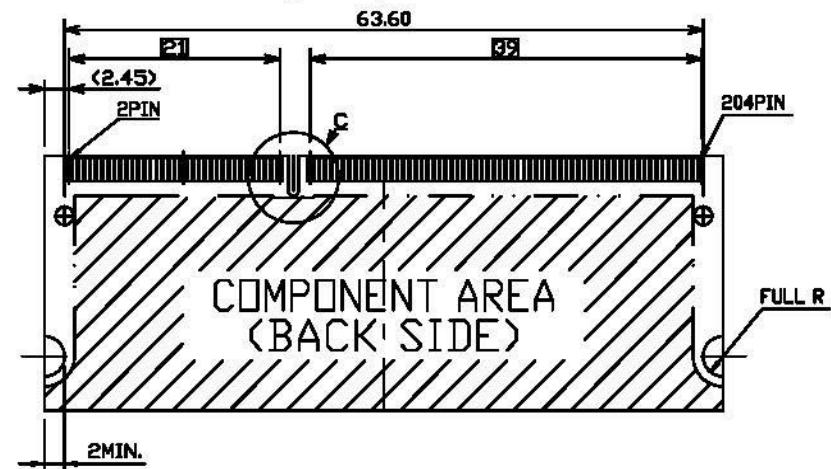
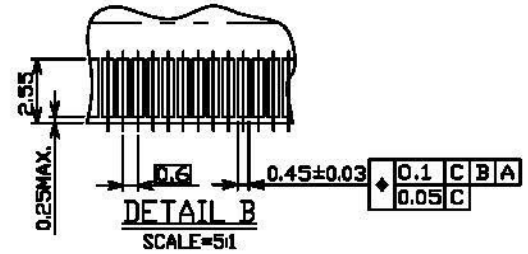


DETAIL A
SCALE=5:1

DETAIL C
SCALE=5:1



OUTER LAYERS
ALL INNER LAYERS
DETAIL D



DETAIL B
SCALE=5:1

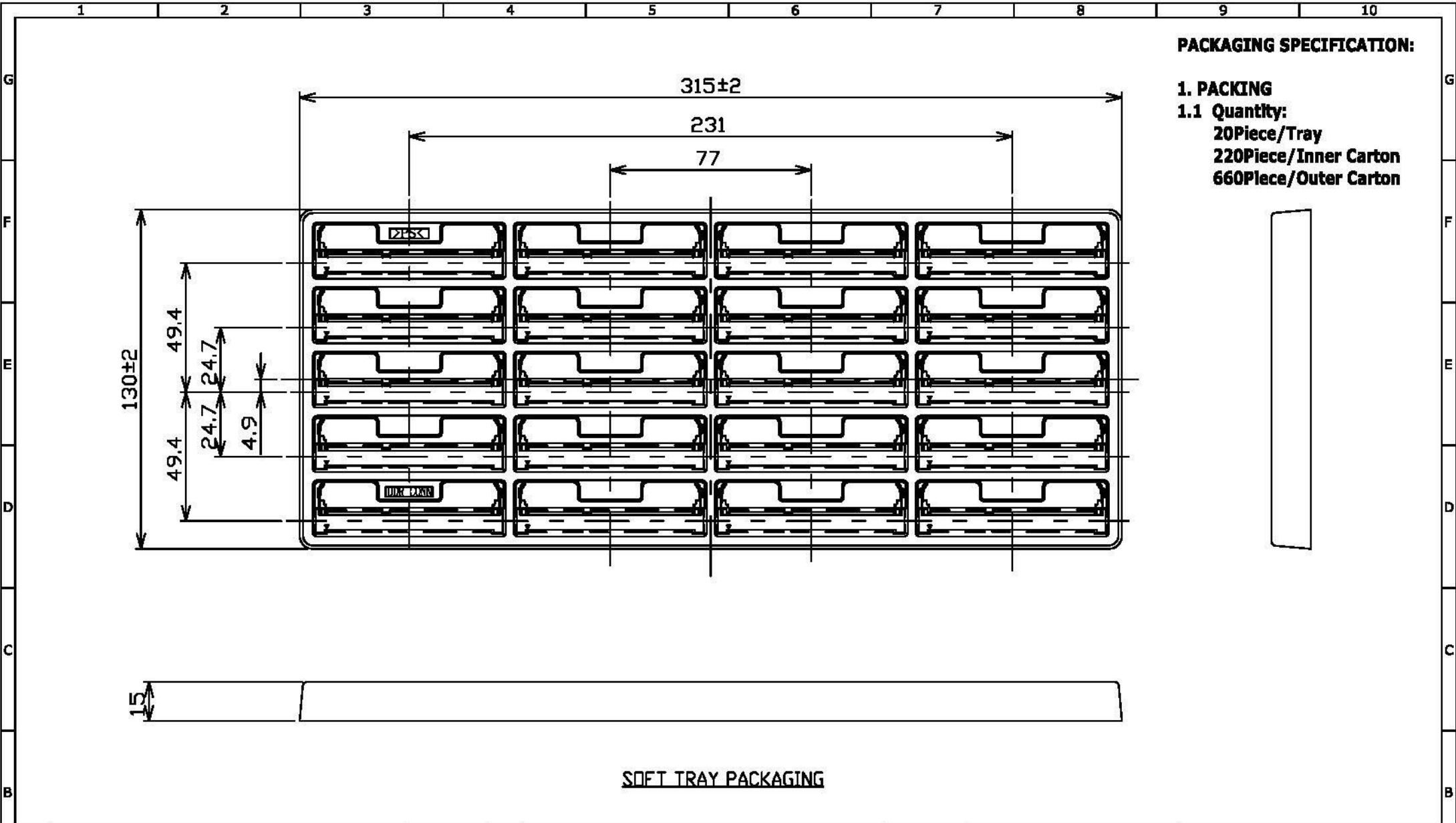
RECOMMENDED MATING
P.C. BOARD DIM.

						UNLESS OTHERWISE SPECIFIED TOLERANCE			
						ANGLES	ANG.		
						LINEAR	0.	±0.3	
							0.0	±0.25	
						SCALE	AS SHOWN	UNIT: mm	
						DRAWN	Willis	2012/12/05	DRAWN NAME: SO DIMM DDR3 Socket 1.5V 204Pin 5.2H Type
						CHECKED	Angel	2012/12/05	
						APPROVED	Ken	2012/12/05	PRODUCT NO. 122A-52A00
REV.	DESCRIPTION	DATE	REV.	DESCRIPTION	DATE	SIZE	REV. 1.0	FILE NAME	122A-52A00_B_1
1						M			

- △ Revise:
- △ Revise:
- △ Revise:

www.allconnectors.de
Tel: 0049 713 709593
30961 Pflersbach, Germany

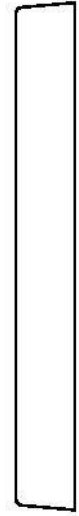
info@allconnectors.de
Fax: 0049 713 709594
Kontaktcenter 24



PACKAGING SPECIFICATION:

- 1. PACKING**
- 1.1 Quantity:**

 - 20Piece/Tray
 - 220Piece/Inner Carton
 - 660Piece/Outer Carton



						UNLESS OTHERWISE SPECIFIED TOLERANCE ANGLES ANG. ±5° 0. ±0.3 LINEAR 0.0 ±0.25 0.00 ±0.20 SCALE AS SHOWN UNIT: mm DRAWN Willis 2012/12/05 CHECKED Angel 2012/12/05 APPROVED Ken 2012/12/05					
						www.allconnectors.de info@allconnectors.de Tel: +49 391 411 400 40 Fax: +49 391 411 400 41 70794 Filzowstr. 15 Germany R.10000010 25					
A Revise:						DRAWN NAME:					
A Revise:						SO DIMM DDR3 Socket 1.5V 204Pin 5.2H Type					
A Revise:						PRODUCT NO.		122A-52A00			
REV.	DESCRIPTION		DATE	REV.	DESCRIPTION		DATE	FILE NAME 122A-52A00_D_1			
1				4				9			
2				5				10			