

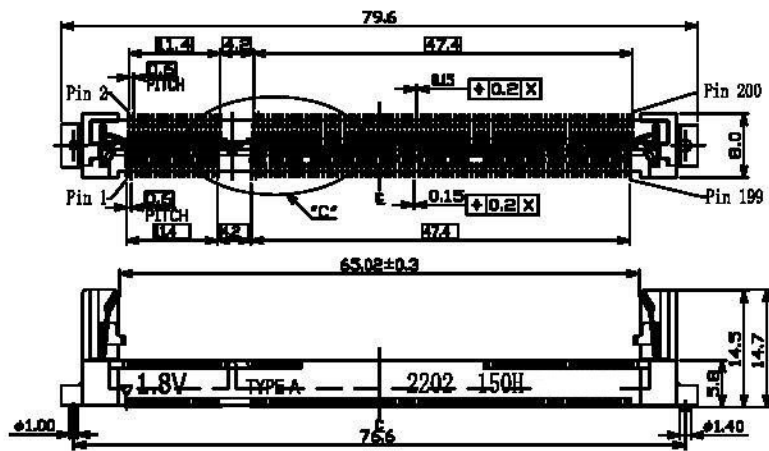
SWITCH CIRCUIT

MATERIAL AND FINISH AS BELOW

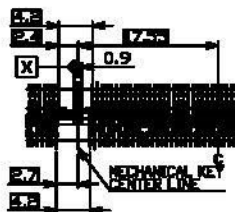
WHEN CARD IS EJECTED

WHEN CARD IS INSERTED

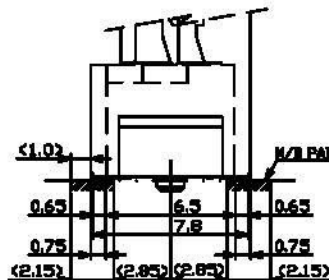
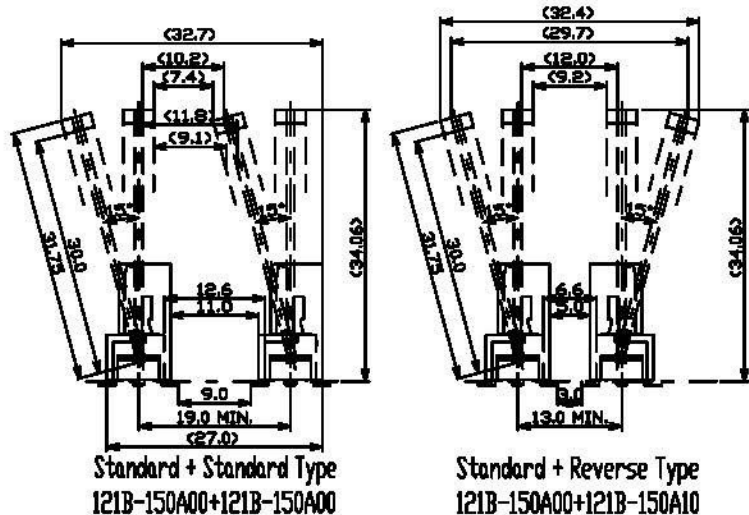
A	Housing	LCP UL94V-0 Beige	E	
B	Contact	Phosphor Bronze C5210, Contact Area: Gold Flash	F	
C	Latch	Stainless Steel SUS301	G	
D			H	



NOTES:
 DATE CODE 2202 (YVWD)
 Y: 2 YEAR (2012)
 W: 20 WEEK (01~52)
 D: 2 DAY (01~07)



DETAIL C



SPECIFICATION:

- 1. ELECTRICAL**
- 1.1 Current Rating: 0.5A per pin
 - 1.2 Voltage Rating: 25V AC/DC
 - 1.3 Contact Resistance: 60mΩ
 - 1.4 Insulation Resistance: 500MΩ
 - 1.5 Dielectric Withstanding Voltage: 125VAC

- 2. MECHANICAL**
- 2.1 Durability: 25 Cycle
 - 2.2 Latch Retention Force: 8 N/Pos. Min

- 3. ENVIRONMENTAL**
- 3.1 Operating temperature range: -40°C~+85°C
 - 3.2 Storage temperature range: -40°C~+85°C

- 4. SOLDER ABILITY**
- 4.1 Recommended IR Reflow Temperature: 255°C 10Sec

P1	P2	P3	P4	P5	P6	P7	P8	P9	P10	P11	P12
----	----	----	----	----	----	----	----	----	-----	-----	-----

PIN ASSIGNMENT

121B-150A00 SO DIMM DDR2 Socket 1.8V 200Pin 15.0H Vertical Type, Contact Area: Gold Flash

PRODUCT NO. DESCRIPTION

UNLESS OTHERWISE SPECIFIED TOLERANCE

ANGLES	ANG.	±P
LINEAR	0.	±0.3
	0.0	±0.25
	0.00	±0.20

SCALE AS SHOWN UNIT: mm

DRAWN Willis 2012/12/05

CHECKED Angel 2012/12/05

APPROVED Ken 2012/12/05

Allconnectors

www.allconnectors.de
 info@allconnectors.de
 Tel.: 0049 711 7095501
 Fax: 0049 711 7095504
 70759 Filberstadt - Germany
 Kettnerstr. 25

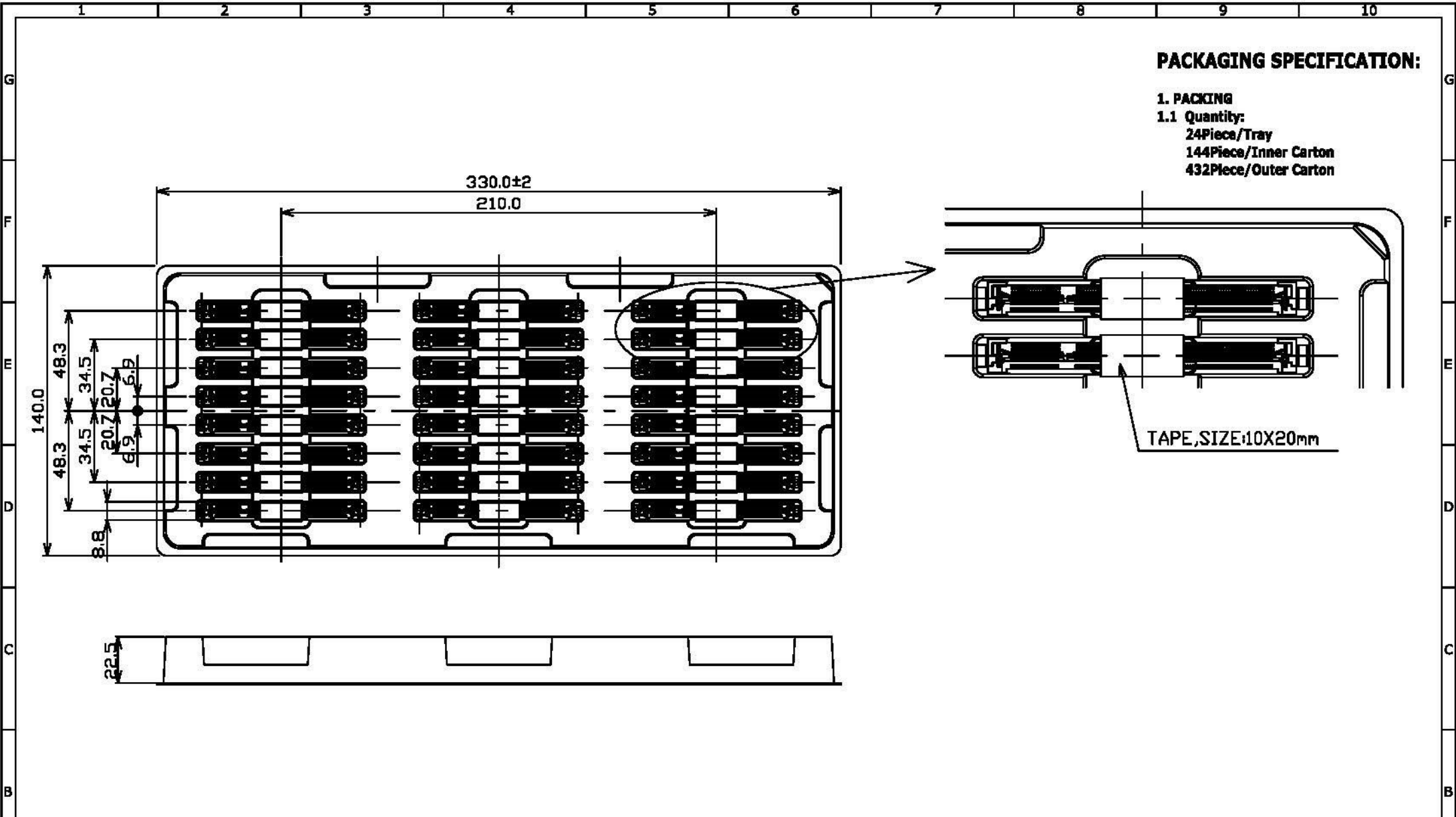
DRAWN NAME: SO DIMM DDR2 Socket 1.8V 200Pin 15.0H Vertical Type

PRODUCT NO. 121B-150A00

FILE NAME 121B-150A00_B_1

- △ Revise:
- △ Revise:
- △ Revise:

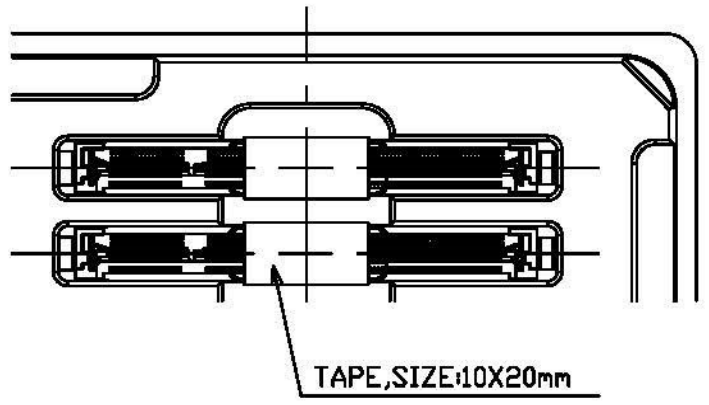
REV.	DESCRIPTION	DATE	REV.	DESCRIPTION	DATE	SIZE	REV.	FILE NAME
1						M	1.0	121B-150A00_B_1



PACKAGING SPECIFICATION:

- 1. PACKING**
- 1.1 Quantity:**

 - 24 Piece/Tray
 - 144 Piece/Inner Carton
 - 432 Piece/Outer Carton



				UNLESS OTHERWISE SPECIFIED TOLERANCE				
				ANGLES	ANG.	±5°		
				LINEAR	0.	±0.3	www.allconnectors.de info@allconnectors.de Tel.: +0719 711 708533 Fax: +049 711 7085901 70754 Filberstadt - Germany Ketschmarstr. 25	
					0.00	±0.25		
				0.00	±0.20			
				SCALE	AS SHOWN	UNIT: mm	DRAWN NAME: SO DIMM DDR2 Socket 1.8V 200Pin 15.0H Vertical Type	
				DRAWN	Willis	2012/12/05		
				CHECKED	Angel	2012/12/05		
				APPROVED	Ken	2012/12/05		
				SIZE A4 REV. 1.0			PRODUCT NO.	121B-150A00
							FILE NAME	121B-150A00_D_1
REV.	DESCRIPTION	DATE	REV.	DESCRIPTION	DATE			
1								
2								
3								
4								
5								
6								
7								
8								
9								
10								

- △ Revise:
- △ Revise:
- △ Revise: