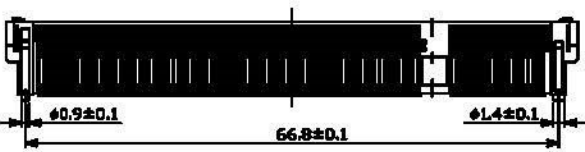
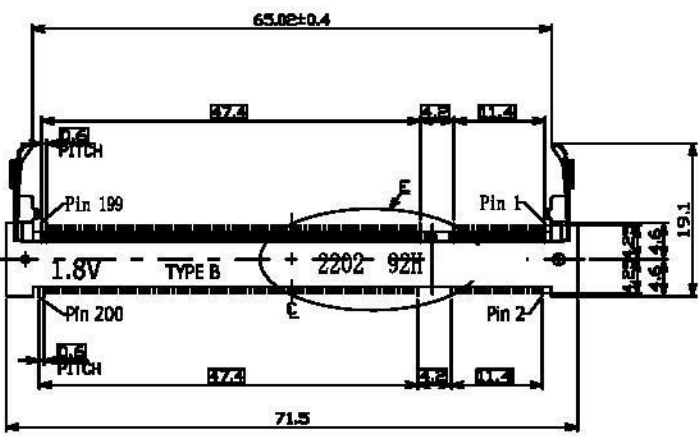


SWITCH CIRCUIT			MATERIAL AND FINISH AS BELOW						
WHEN CARD IS EJECTED	WHEN CARD IS INSERTED	A Housing	LCP UL94V-0 Black				E		
		B Contact	Phosphor Bronze C5210, Contact Area: Gold Flash				F		
		C Latch	Stainless Steel SUS301				G		
		D				H			



NOTES:
 DATE CODE 2202 (YWWDD)
 Y: 2 YEAR(2012)
 WW:20 WEEK(01~52)
 D: 2 DAY(01~07)

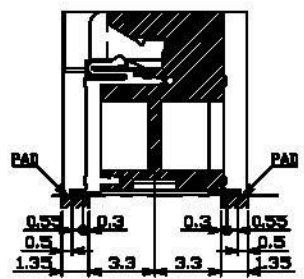
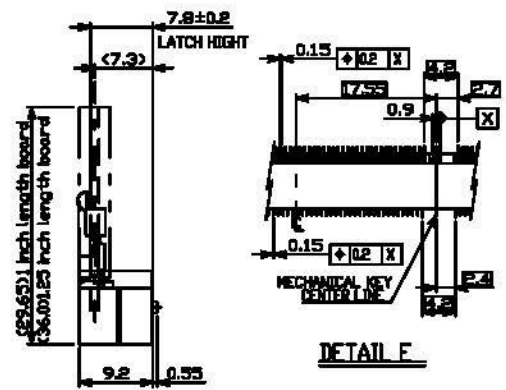
SPECIFICATION:

- 1. ELECTRICAL**
 - 1.1 Current Rating: 0.5A per pin
 - 1.2 Voltage Rating: 25V AC/DC
 - 1.3 Contact Resistance: 60mΩ
 - 1.4 Insulation Resistance: 500MΩ
 - 1.5 Dielectric Withstanding Voltage: 125VAC

- 2. MECHANICAL**
 - 2.1 Durability: 25 Cycle
 - 2.2 Latch Retention Force: 8 N/Pos. Min

- 3. ENVIRONMENTAL**
 - 3.1 Operating temperature range: -40°C~+85°C
 - 3.2 Storage temperature range: -40°C~+85°C

- 4. SOLDER ABILITY**
 - 4.1 Recommended IR Reflow Temperature: 255°C 10Sec



P1	P2	P3	P4	P5	P6	P7	P8	P9	P10	P11	P12
----	----	----	----	----	----	----	----	----	-----	-----	-----

PIN ASSIGNMENT

--	--	--	--	--	--	--	--	--	--	--	--

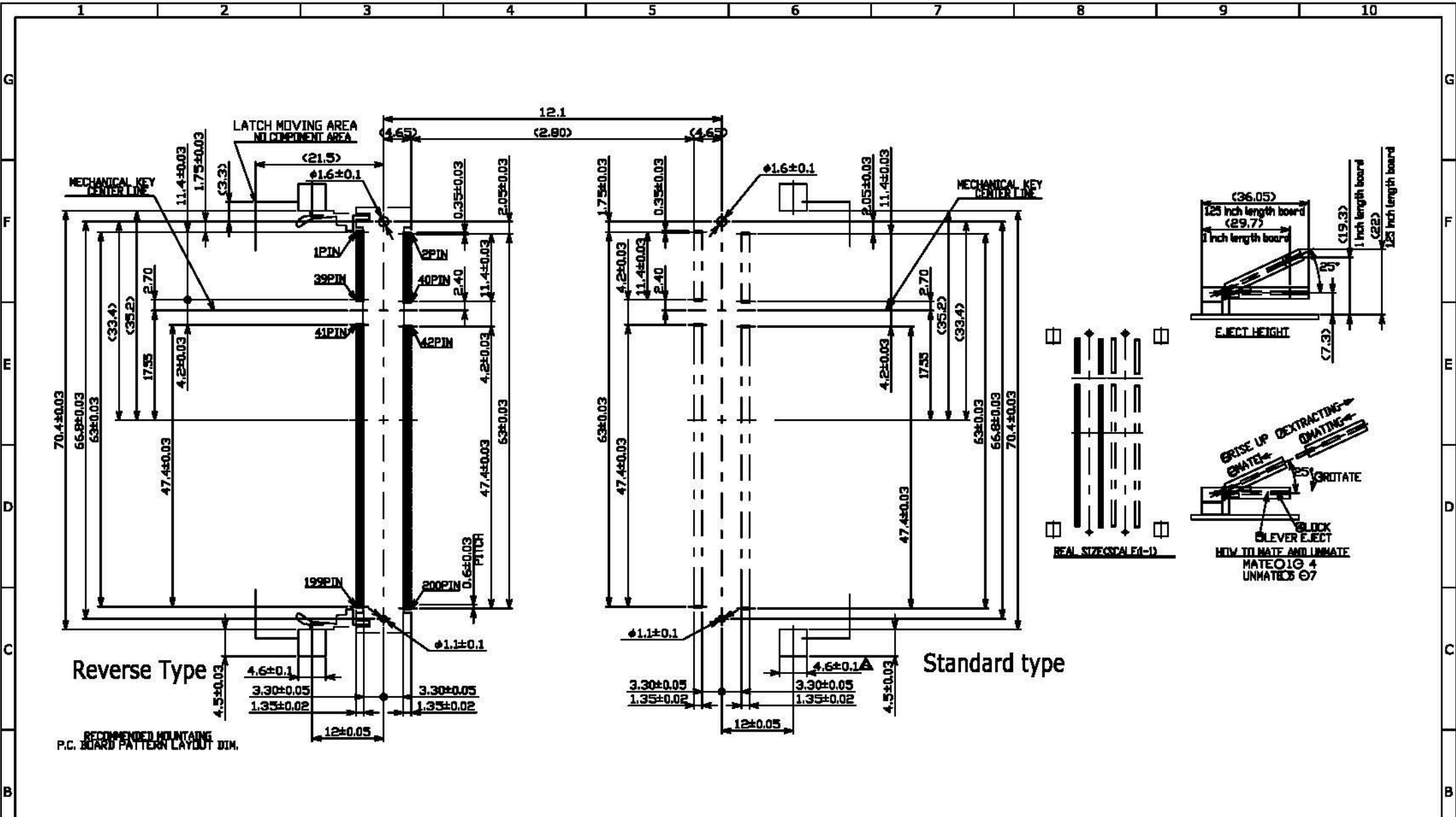
121A-92A10 SO DIMM DDR2 Socket 1.8V 200Pin Reverse Type 9.2H, Contact Area: Gold Flash

PRODUCT NO. DESCRIPTION

UNLESS OTHERWISE SPECIFIED TOLERANCE		All connectors	
ANGLES	ANG.	ASP	
	0.	±0.3	
LINEAR	0.0	±0.25	
	0.00	±0.20	
SCALE	AS SHOWN	UNIT: mm	
DRAWN	Willis	2012/12/05	DRAWN NAME: SO DIMM DDR2 Socket 1.8V 200Pin 9.2H Reverse Type
CHECKED	Angel	2012/12/05	
APPROVED	Ken	2012/12/05	
PRODUCT NO.	121A-92A10		PRODUCT NO.
FILE NAME	121A-92A10_B_1		FILE NAME

REV.	DESCRIPTION	DATE	REV.	DESCRIPTION	DATE
1			2		
3			4		
5			6		
7			8		
9			10		

△	Revise:				
△	Revise:				
△	Revise:				



Reverse Type

Standard type

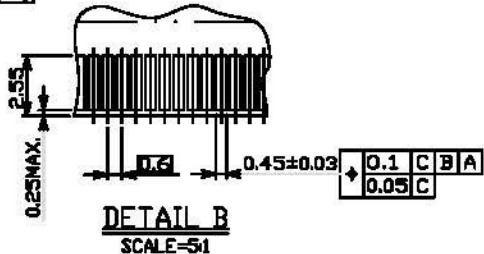
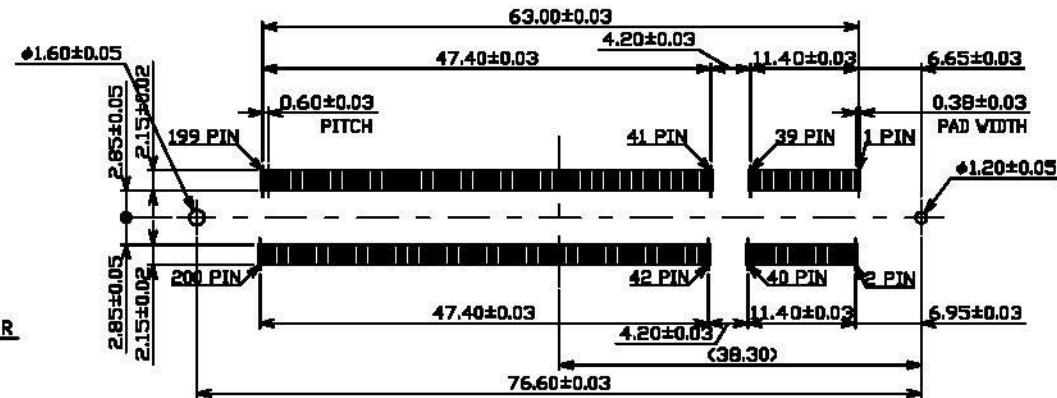
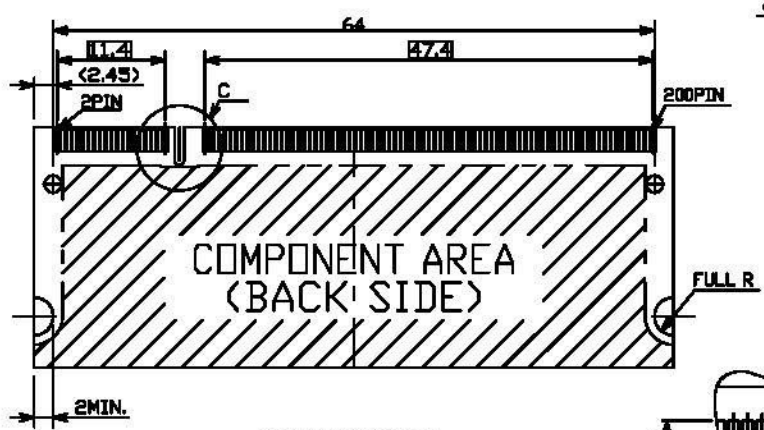
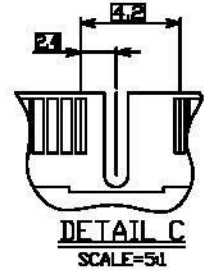
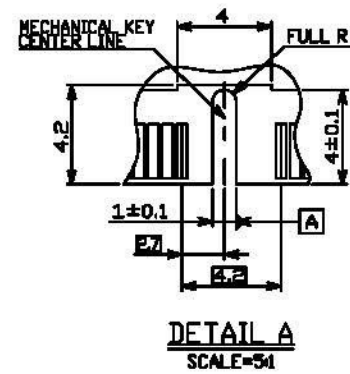
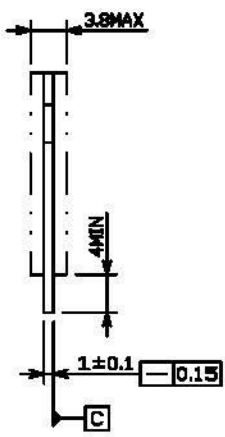
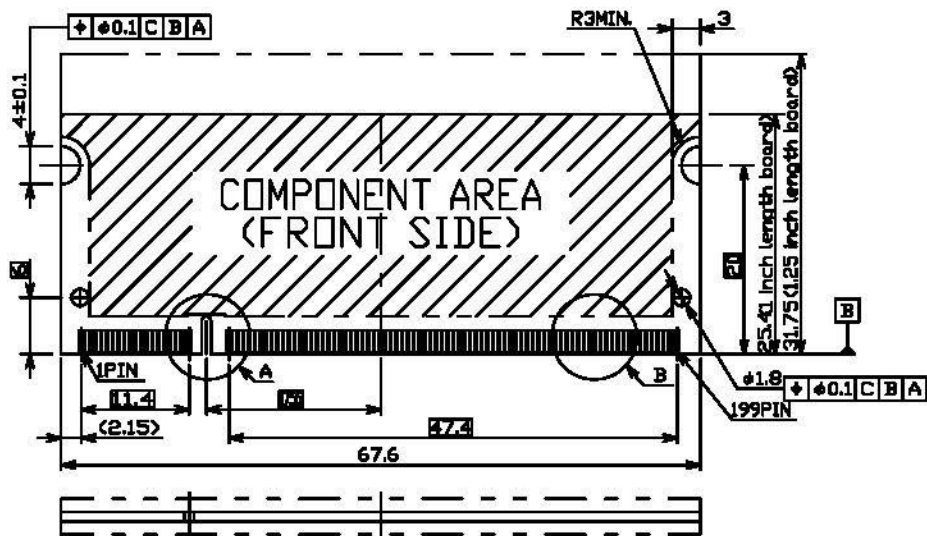
RECOMMENDED MOUNTING BOARD PATTERN LAYOUT DIM.

						UNLESS OTHERWISE SPECIFIED TOLERANCE			 www.allconnectors.de info@allconnectors.de Tel: 0049 711 7089502 Fax: 0049 711 7089504 70734 Filberstadt - Germany Kettenstr. 25		
						ANGLES	ANG.	±			
						LINEAR		0.	±0.3		
								0.0	±0.25		
								0.00	±0.20		
						SCALE	AS SHOWN	UNIT:	mm		
						DRAWN	Willis	2012/12/05			
						CHECKED	Angel	2012/12/05			
						APPROVED	Ken	2012/12/05			
						DRAWN NAME:			SO DIMM DDR2 Socket		
									1.8V 200Pin 9.2H Reverse Type		
						PRODUCT NO.			121A-92A10		
						FILE NAME			121A-92A10_B_1		
REV.	DESCRIPTION			DATE	REV.	DESCRIPTION			DATE	SIZE A4	REV. 1.0
1					2						
2					3						
3					4						
4					5						
5					6						
6					7						
7					8						
8					9						
9					10						

△ Revise:

△ Revise:

△ Revise:



RECOMMENDED MOUNTING P.C. BOARD DIM.

RECOMMENDED MOUNTING P.C. BOARD PATTERN LAYOUT DIM.

UNLESS OTHERWISE SPECIFIED TOLERANCE		
ANGLES	ANG.	±5°
LINEAR	0.	±0.3
	0.0	±0.25
	0.00	±0.20
SCALE	AS SHOWN	UNIT: mm
DRAWN	Willis	2012/12/05
CHECKED	Angel	2012/12/05
APPROVED	Ken	2012/12/05

All Connectors

www.allconnectors.de
Tel: 0049 7141 7005001
70734 Filberstadt - Germany

info@allconnectors.de
Fax: 0049 7141 7005000
ketter@allconnectors.de

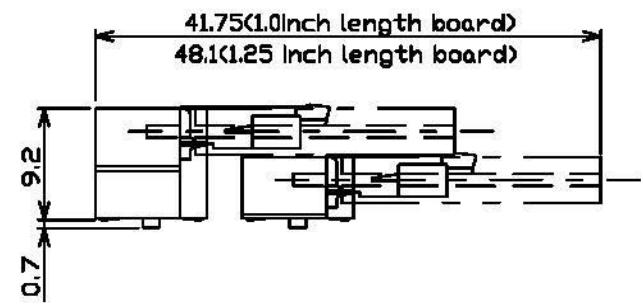
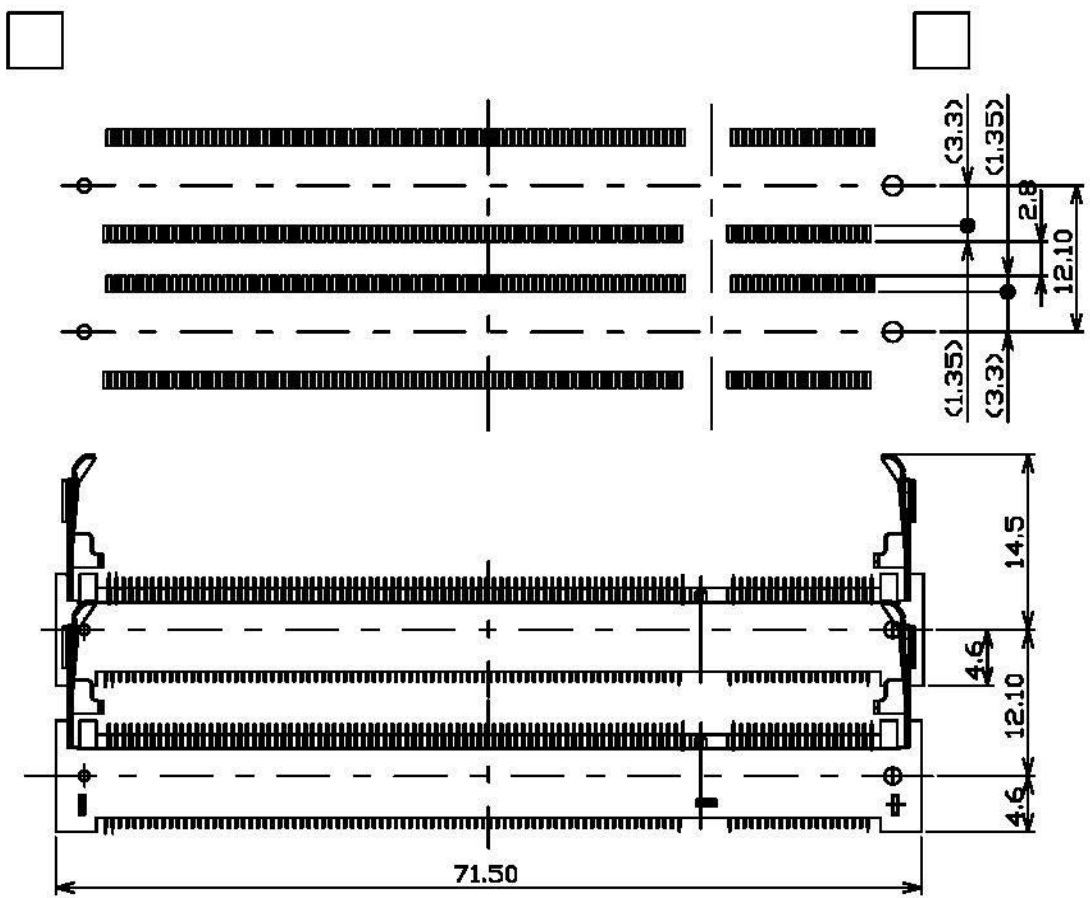
DRAWN NAME: SO DIMM DDR2 Socket
1.8V 200Pin 9.2H Reverse Type

PRODUCT NO. 121A-92A10

FILE NAME 121A-92A10_B_1

- △ Revise:
- △ Revise:
- △ Revise:

REV.	DESCRIPTION	DATE	REV.	DESCRIPTION	DATE	SIZE	REV.	FILE NAME
1						A4	1.0	121A-92A10_B_1

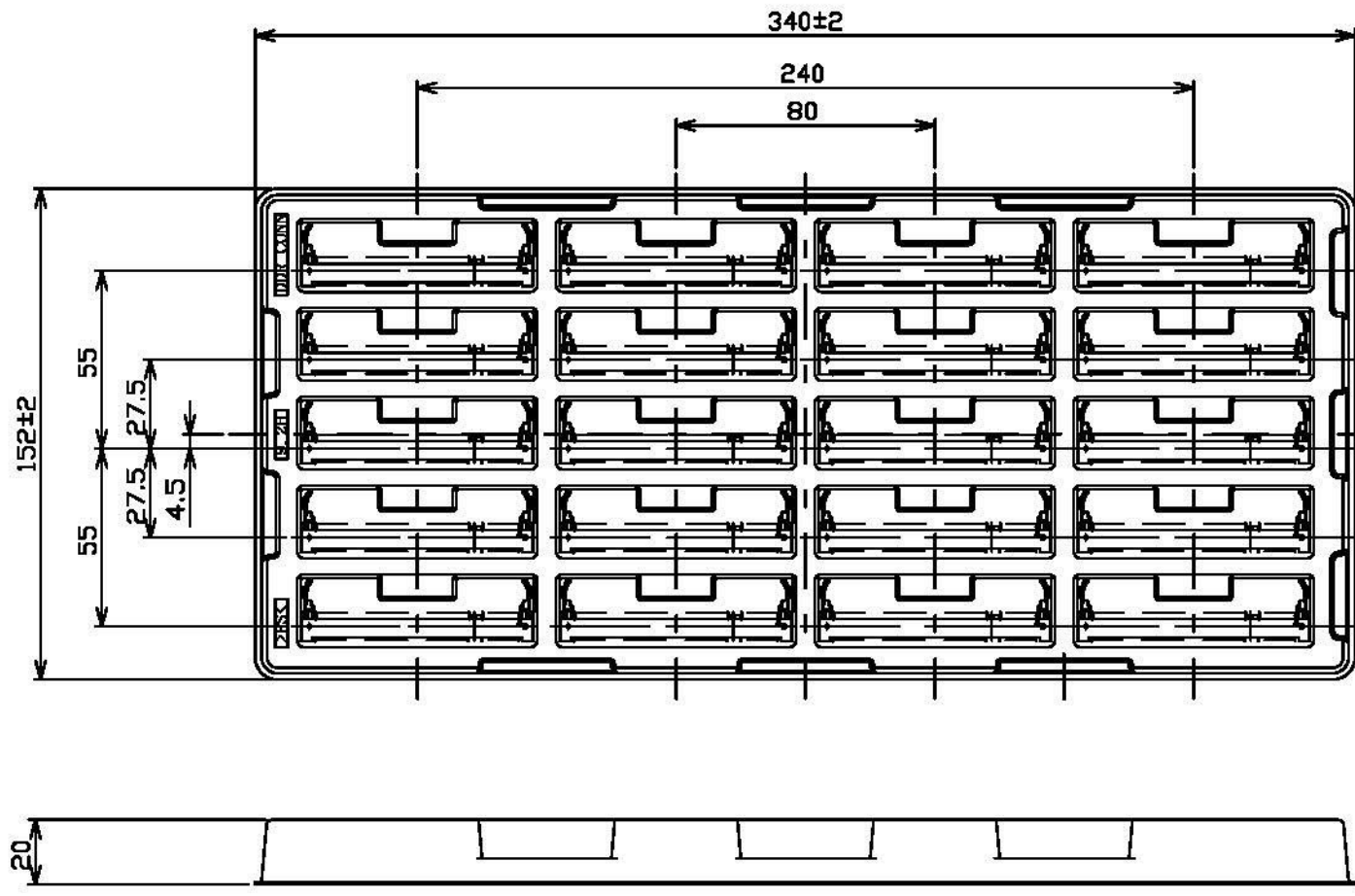


Combination Dimension for H=5.2(Reverse) connector
 121A-52A10 H=5.2 and 121A-92A10 H=9.2

						UNLESS OTHERWISE SPECIFIED TOLERANCE				
						ANGLES	ANG.	±SP		
						LINEAR		0.	±0.3	
								0.0	±0.25	
								0.00	±0.20	
						SCALE	AS SHOWN	UNIT: mm		
						DRAWN	Willis	2012/12/05	DRAWN NAME: SO DIMM DDR2 Socket 1.8V 200Pin 9.2H Reverse Type	
						CHECKED	Angel	2012/12/05		
						APPROVED	Ken	2012/12/05		
REV.	DESCRIPTION		DATE	REV.	DESCRIPTION		DATE	SIZE	REV.	FILE NAME
1								A4	1.0	121A-92A10_B_1

Revise:
 Revise:
 Revise:

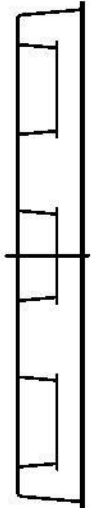
www.allconnectors.de
 info@allconnectors.de
 70949 Plochingen, Germany
 Billmehren 25



PACKAGING SPECIFICATION:

1. PACKING

- 1.1 Quantity:**
- 20 Piece/Tray**
- 160 Piece/Inner Carton**
- 480 Piece/Outer Carton**



SOFT TRAY PACKAGING

						UNLESS OTHERWISE SPECIFIED TOLERANCE ANGLES ANG. ±FP LINEAR 0.0 ±0.25 0.00 ±0.20			 www.allconnectors.de info@allconnectors.de Tel: 0049 711 7002003 Fax: 0049 711 7002001 70794 Filderstadt, Germany R-01100011-05		
						SCALE	AS SHOWN	UNIT:			mm
						DRAWN	Willis	2012/12/05		DRAWN NAME: SO DIMM DDR2 Socket 1.8V 200Pin 9.2H Reverse Type	
						CHECKED	Angel	2012/12/05			
						APPROVED	Ken	2012/12/05			
REV.	DESCRIPTION	DATE	REV.	DESCRIPTION	DATE	SIZE A4		REV.	1.0	PRODUCT NO.	121A-92A10
1								FILE NAME		121A-92A10_B_1	

- △ Revise:
- △ Revise:
- △ Revise:

A

A