

SWITCH CIRCUIT

MATERIAL AND FINISH AS BELOW

WHEN CARD IS EJECTED

WHEN CARD IS INSERTED

A	Housing	LCP UL94V-0 Black	E	
B	Contact	Phosphor Bronze C5210, Contact Area: Gold Flash	F	
C	Latch	Stainless Steel SUS301	G	
D			H	

NOTES:  
 DATE CODE 2202 (YWWDD)  
 Y: 2 YEAR(2012)  
 WW:20 WEEK(01~52)  
 D: 2 DAY(01~07)

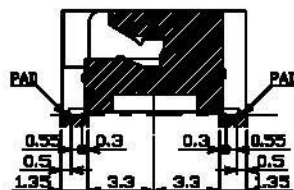
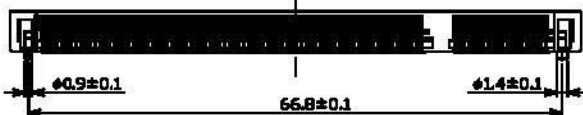
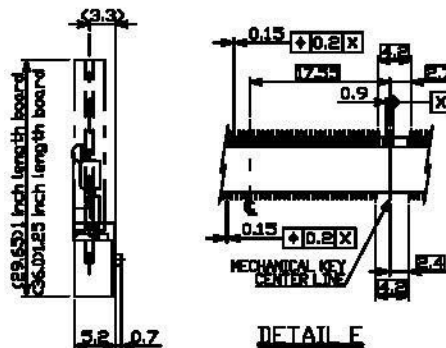
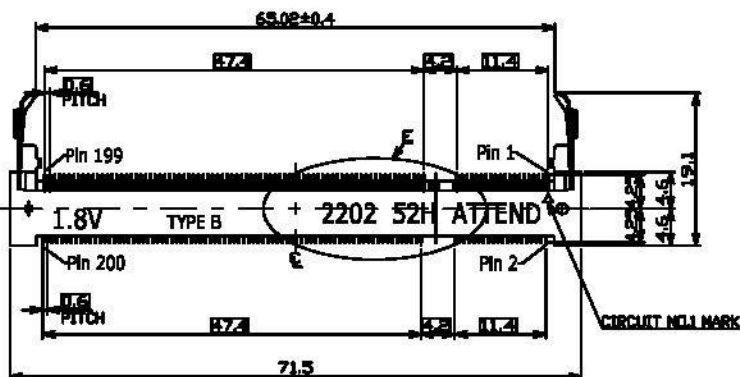
**SPECIFICATION:**

- ELECTRICAL**
  - 1.1 Current Rating: 0.5A per pin
  - 1.2 Voltage Rating: 25V AC/DC
  - 1.3 Contact Resistance: 60mΩ
  - 1.4 Insulation Resistance: 500MΩ
  - 1.5 Dielectric Withstanding Voltage: 125VAC

- MECHANICAL**
  - 2.1 Durability: 25 Cycle
  - 2.2 Latch Retention Force: 8 N/Pos. Min

- ENVIRONMENTAL**
  - 3.1 Operating temperature range: -40°C~+85°C
  - 3.2 Storage temperature range: -40°C~+85°C

- SOLDER ABILITY**
  - 4.1 Recommended IR Reflow Temperature: 255°C 10Sec



P1	P2	P3	P4	P5	P6	P7	P8	P9	P10	P11	P12
----	----	----	----	----	----	----	----	----	-----	-----	-----

PIN ASSIGNMENT

121A-52A10 SO DIMM DDR2 Socket 1.8V 200Pin Reverse Type 5.2H, Contact Area: Gold Flash

PRODUCT NO. DESCRIPTION

UNLESS OTHERWISE SPECIFIED TOLERANCE

ANGLES	ANG.	±5°
LINEAR	0.	±0.25
	0.00	±0.20
SCALE	AS SHOWN	UNIT: mm
DRAWN	Willis	2012/12/05
CHECKED	Angel	2012/12/05
APPROVED	Ken	2012/12/05

**All connectors**

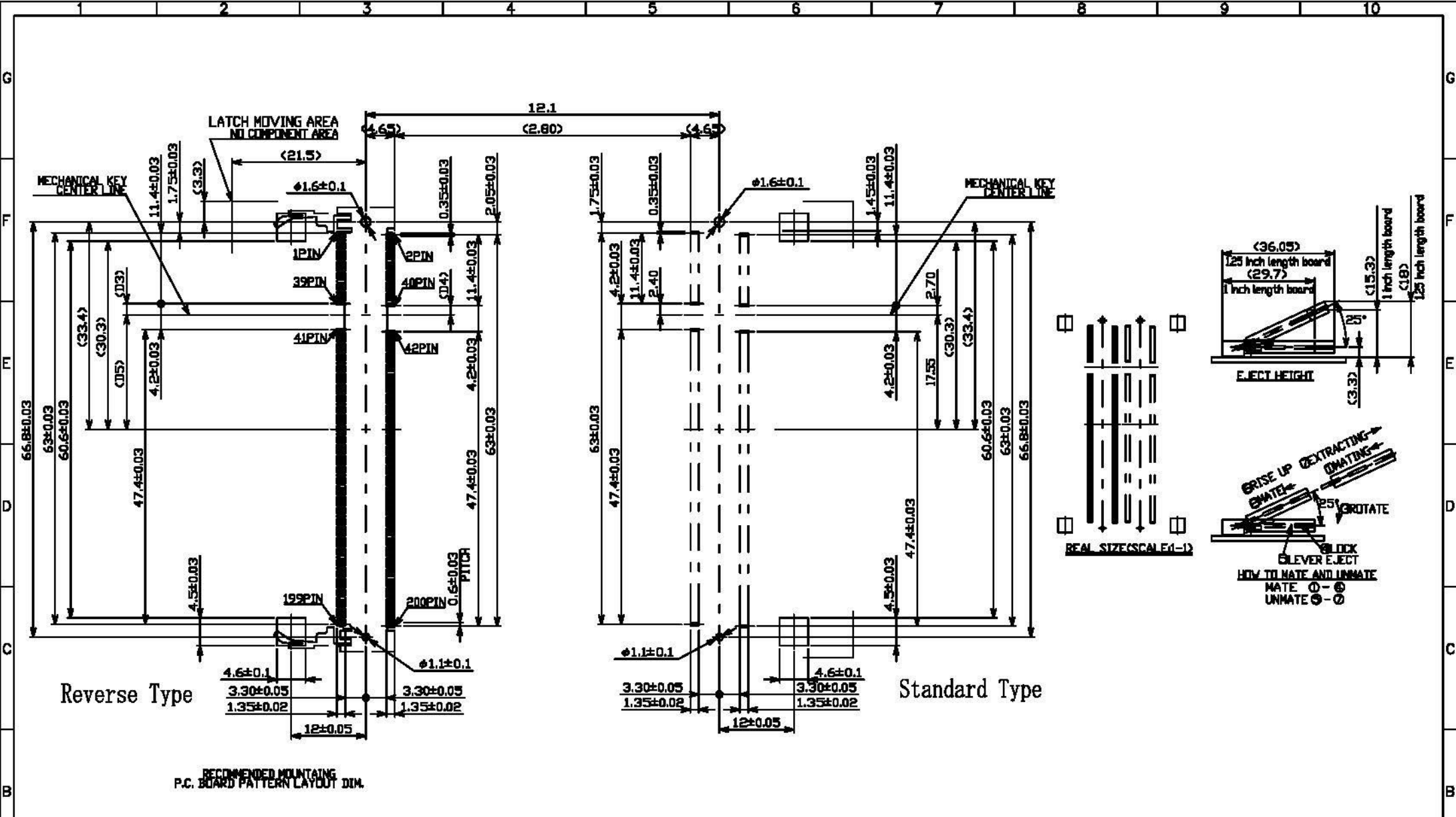
www.allconnectors.de info@allconnectors.de  
 TEL: 0049 3701 40000 FAX: 0049 3701 40004  
 70724 Filderstadt Germany E-Mail: info@all.c

DRAWN NAME: SO DIMM DDR2 Socket  
 1.8V 200Pin 5.2H Reverse Type

PRODUCT NO. 121A-52A10

- △ Revise:
- △ Revise:
- △ Revise:

REV.	DESCRIPTION	DATE	REV.	DESCRIPTION	DATE	SIZE	REV.	FILE NAME
1						A4	1.0	121A-52A10_B_1



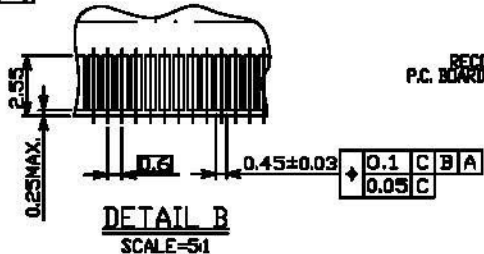
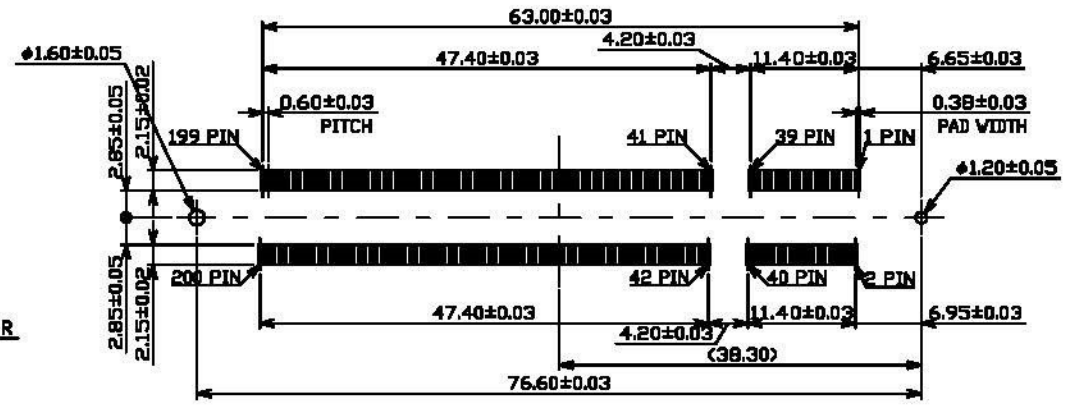
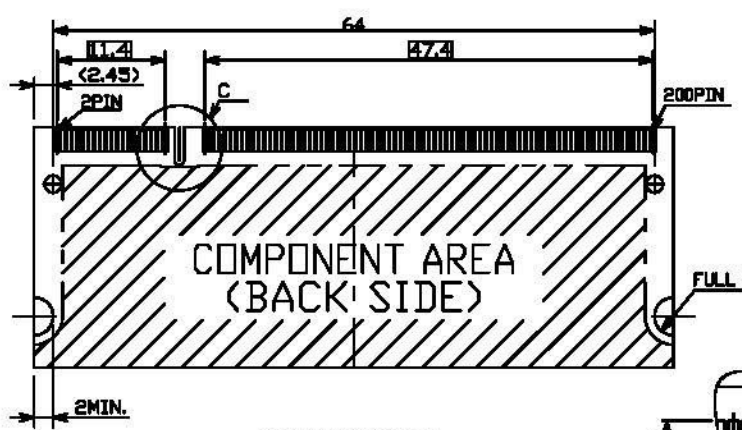
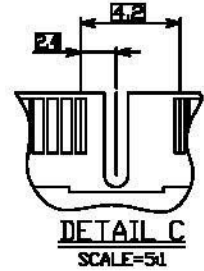
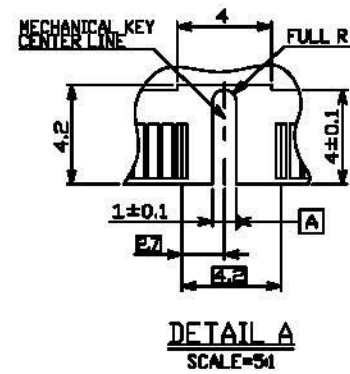
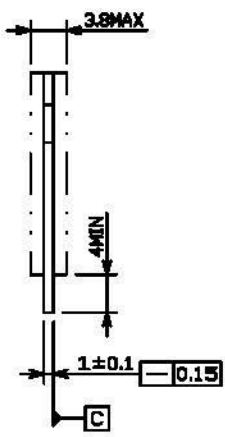
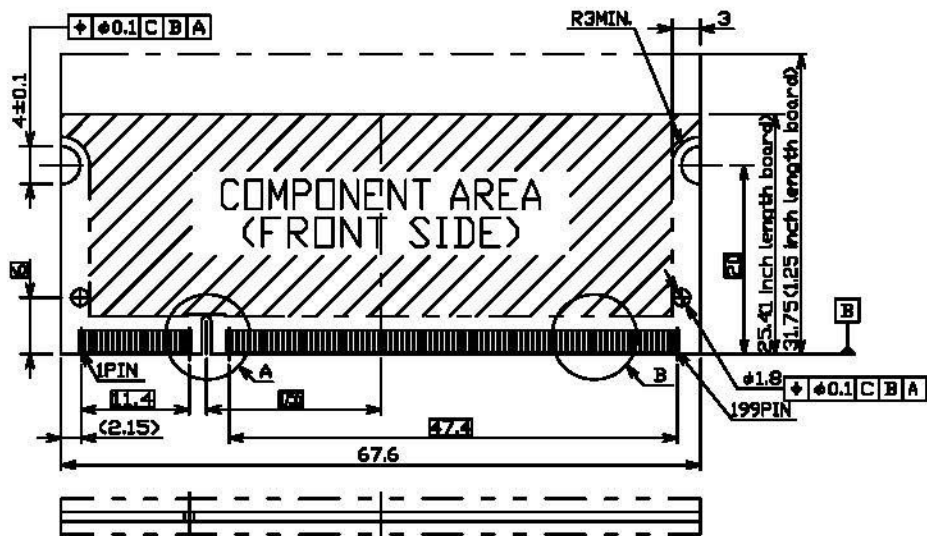
RECOMMENDED MOUNTING  
P.C. BOARD PATTERN LAYOUT DIM.

REV.	DESCRIPTION	DATE	REV.	DESCRIPTION	DATE
1			2		
3			4		
5			6		
7			8		
9			10		

UNLESS OTHERWISE SPECIFIED TOLERANCE				
ANGLES	ANG	±5°	SIZE	A4
LINEAR	D	±0.3	REV.	1.0
	D.D	±0.25	FILE NAME	121A-52A10_B_1
SCALE	AS SHOWN	UNIT: mm	PRODUCT NO.	121A-52A10
DRAWN	Willis	2012/12/05	DRAWN NAME:	SO DIMM DDR2 Socket
CHECKED	Angel	2012/12/05		1.8V 200Pin 5.2H Reverse Type
APPROVED	Ken	2012/12/05	PRODUCT NO.	121A-52A10

**Allconnectors**  
[www.allconnectors.com](http://www.allconnectors.com) | [info@allconnectors.com](mailto:info@allconnectors.com)  
 Tel: +49 201 7070949 | Fax: +49 201 7070904  
 TW0470 | Herbedt - Germany | Watterstraße 15



RECOMMENDED MATING  
P.C. BOARD DIM.

RECOMMENDED MOUNTING  
P.C. BOARD PATTERN LAYOUT DIM.

								UNLESS OTHERWISE SPECIFIED TOLERANCE			
								ANGLES	ANG.		
								LINEAR	0.	±0.3	
									0.0	±0.25	
									0.00	±0.20	
								SCALE	AS SHOWN	UNIT: mm	
								DRAWN	Willis	2012/12/05	
								CHECKED	Angel	2012/12/05	
								APPROVED	Ken	2012/12/05	
								DRAWN NAME:		SO DIMM DDR2 Socket	
										1.8V 200Pin 5.2H Reverse Type	
								PRODUCT NO.	121A-52A10		
								FILE NAME	121A-52A10_B_1		
REV.	DESCRIPTION	DATE	REV.	DESCRIPTION	DATE	SIZE	M	REV.	1.0		
1											

△ Revise:  
△ Revise:  
△ Revise:

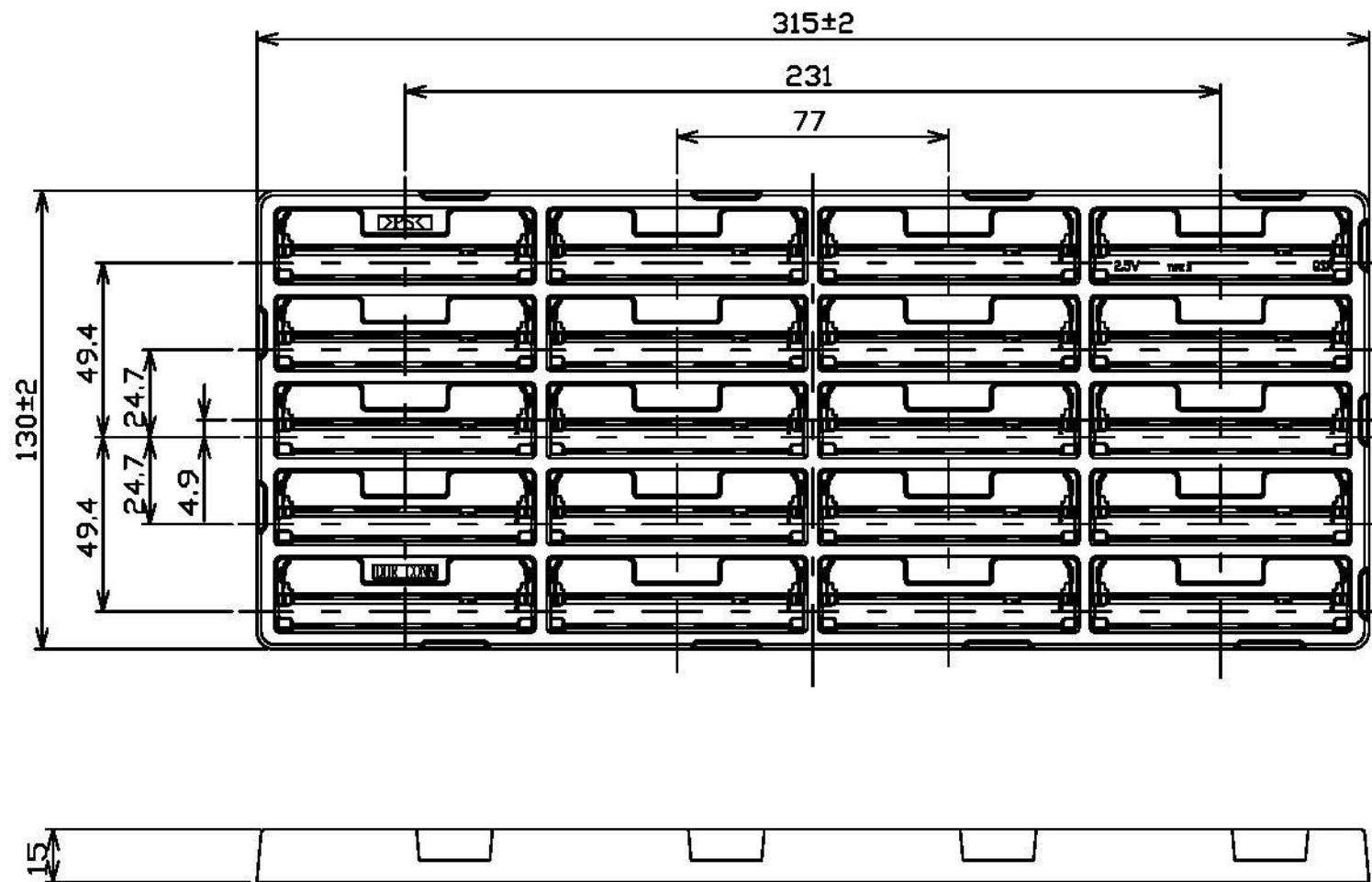
**All Connectors**

www.allconnectors.de info@allconnectors.de  
Tel: +49 (0) 71 30 95 91 Fax: +49 (0) 71 30 95 92  
20724 Heilbrunn - Germany (Germany) 25

DRAWN NAME: SO DIMM DDR2 Socket  
1.8V 200Pin 5.2H Reverse Type

PRODUCT NO. 121A-52A10

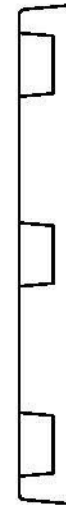
FILE NAME 121A-52A10\_B\_1



**PACKAGING SPECIFICATION:**

**1. PACKING**

- 1.1 Quantity:**
- 20 Piece/Tray**
- 220 Piece/Inner Carton**
- 660 Piece/Outer Carton**



**SOFT TRAY PACKAGING**

UNLESS OTHERWISE SPECIFIED TOLERANCE		
ANGLES	ANG.	±0.3
LINEAR	0.	±0.25
	0.00	±0.20
SCALE	AS SHOWN	UNIT: mm
DRAWN	Willis	2012/12/05
CHECKED	Angel	2012/12/05
APPROVED	Ken	2012/12/05

**Allconnectors**

www.allconnectors.de info@allconnectors.de  
Tel.: 0545 711 7099-03 Fax: 0545 711 7099-04  
70724 Filderstadt - Germany Kettersstr. 25

**DRAWN NAME:** SO DIMM DDR2 Socket  
1.8V 200Pin 5.2H Reverse Type

**PRODUCT NO.:** 121A-52A10  
**FILE NAME:** 121A-52A10\_D\_1

REV.	DESCRIPTION	DATE	REV.	DESCRIPTION	DATE