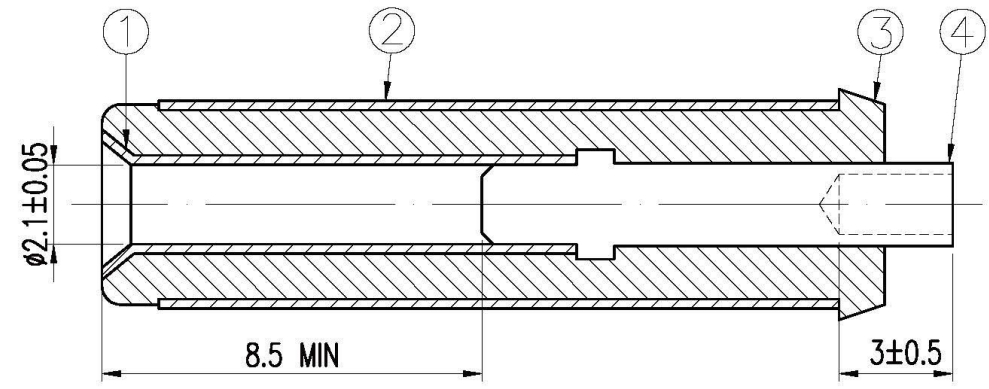
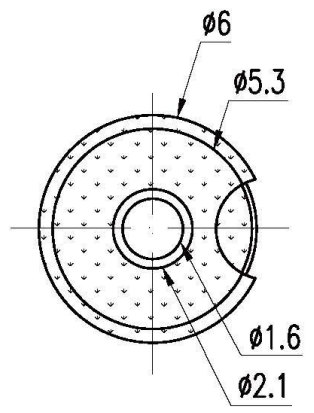
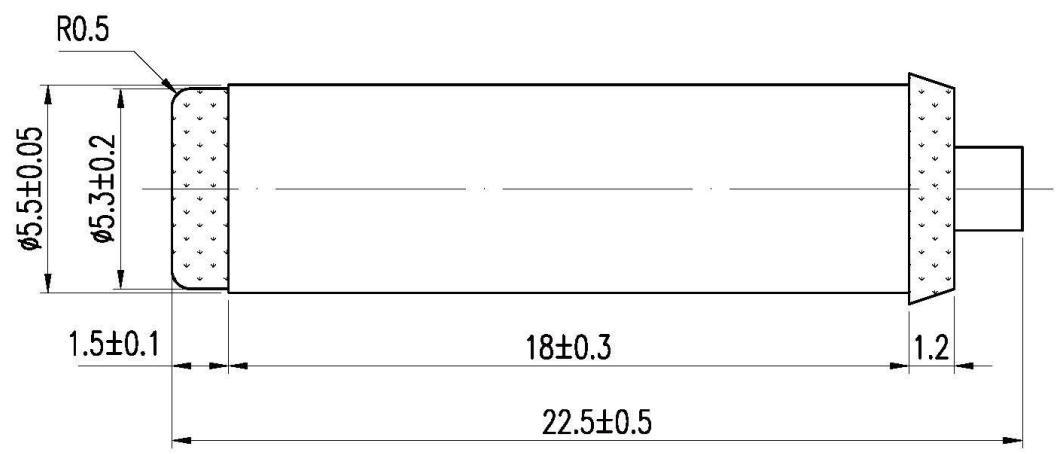


一般公差	
尺寸區分	公差
0>1.0	±0.1
1.0>6.0	±0.2
6.0>12.0	±0.3
12.0>25.0	±0.4
25.0>	±0.5



4	BRASS NICKEL
3	POM BLACK
2	BRASS NICKEL
1	BRASS NICKEL
NO	CONTENT

RoHS Compliant

All Connectors

www.allconnectors.de info@allconnectors.de
Tel.: 0049 711 7009503 Fax: 0049 711 7009504
70794 Filderstadt - Germany Kettenerstr. 25

TOLERANCES ARE

X ±
.X ±
.XX ±
.XXX ±
ANG ±

DRAWING BY CY
CHECKED BY GENIUS
UNIT/mm SCALE 1:1
DATE
SIZE A4 PROJECTION

ORDER INFORMATION

DCP-S-5521-LF

SERIES | 5.5ØX2.1Ø | LEADFREE
SOLDER

DESCRIPTION: **DC PLUG Ø5.5XØ2.1X22.5L**