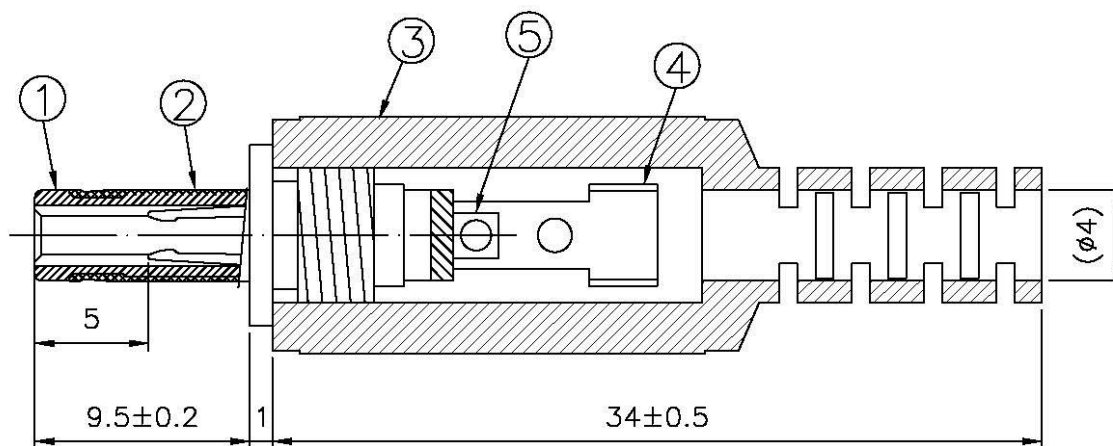
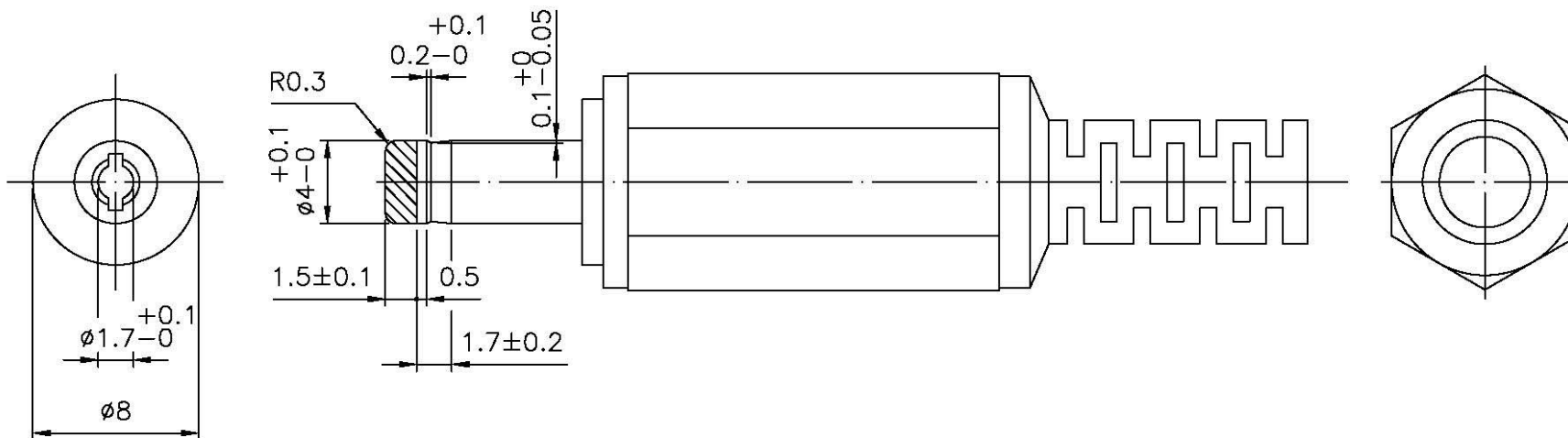


一般公差	
尺寸区分	公差
0>1.0	±0.1
1.0>6.0	±0.2
6.0>12.0	±0.3
12.0>25.0	±0.4
25.0>	±0.5



5	P-BRONZE NICKEL
4	BRASS NICKEL
3	TPR BLACK
2	BRASS NICKEL
1	POM YELLOW
NO	CONTENT

NOTES:

1. DIELECTRIC STRENGTH : AC 500 V at 1MIN.
2. INSULATION RESISTANCE : DC 500 V / 100 MΩ MIN
3. RATED VOLTAGE: 24 V DC.
4. RATED CURRENT: 2.5 A.

RoHS Compliant

All Connectors

www.allconnectors.de
Tel.: 0049 711 7009503
70794 Filderstadt - Germany

info@allconnectors.de
Fax: 0049 711 7009504
Kettnerstr. 25

DRAWING BY CY	
CHECKED BY GENIUS	
UNIT / mm	SCALE 1 : 1
DATE	
SIZE A4	PJECTION

TOLERANCES ARE

X ±
X ±
.XX ±
.XXX ±
ANG ±



ORDER INFORMATION

DCP-A-4017-LF
SERIES | LEADFREE
ID: 1.7Ø
OD: 4.0Ø
ASSEMBLY

DESCRIPTION: DC PLUG φ4.0*φ1.7*9.5L (ASSEMBLY TYPE)