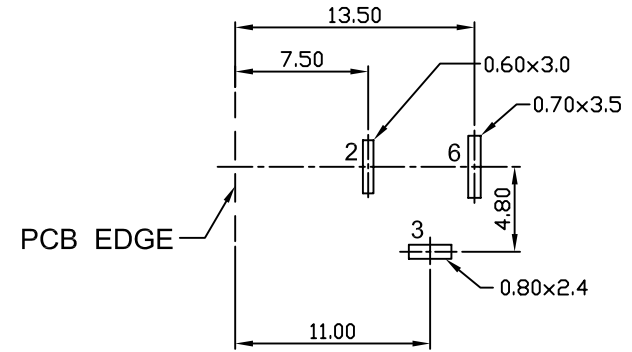
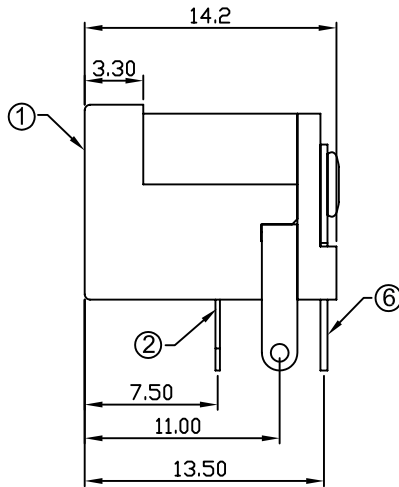
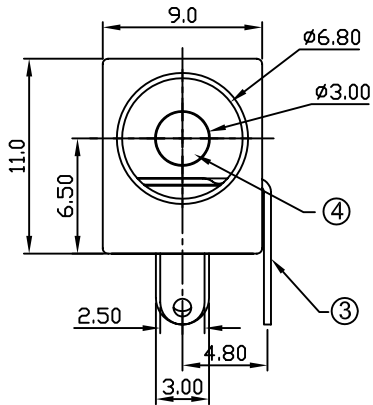
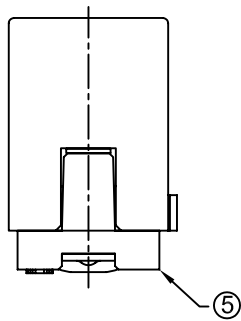


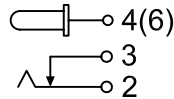
REV.	ZONE	REVISION	DATE	APPD.



**SUGGESTED PCB LAYOUT
TOP VIEW**



SCHEMATIC



NO.	NAME	MATERIAL	Plated
1	HOUSING	PBT	
2	PIN TERM.	PHOS. BRONZE	Tin-Plated
3	PIN TERM.	BRASS	Tin-Plated
4	CENTER PIN	BRASS	Ni-Plated
5	HOUSING COVER	PBT	
6	PIN TERM.	BRASS	Tin-Plated

All Connectors

www.allconnectors.eu | info@allconnectors.eu
Tel. +49 (0)711 / 358 110 20 | Fax +49 (0)711 / 358 110 25

COMPUTER NO.

D : \ DWG \ SHD-2014D-T

UNIT

mm

SCALE

1 : 1

PART NAME

DC POWER JACK

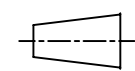
APPD.

CKD.

DWG.

DATE

TOLERANCE



REV.

A.0

MODEL

SHD-2014D-T

PAGE 1 OF 1

Michael

Chindge

2008-03-05

0.000mm ± 0.075mm
0.00 mm ± 0.15 mm
0.0 mm ± 0.25 mm